

ENGINE

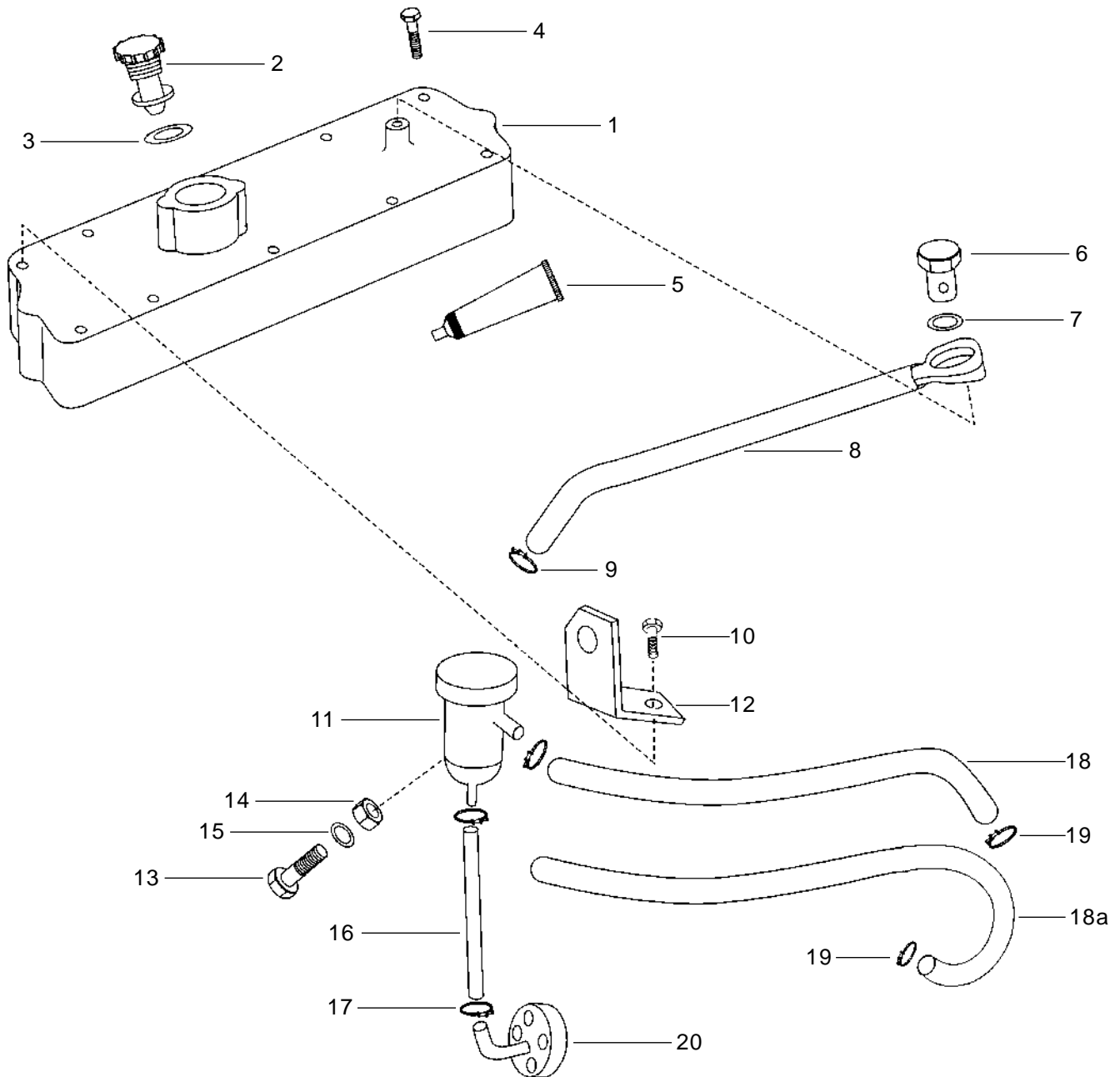
Engine Complete, Major Crankcase Assembly	2 - 3
Valve Housing Cover	4 - 5
Exhaust System	6 - 7
Air Intake System	8 - 9
Air Intake System	10 - 11
Cylinder Head Assembly	12 - 13
Valve Train.....	14 - 15
Crankcase Front Cover	16 - 17
Crankcase with Oil Pan.....	18 - 21
Crankshaft Assembly	22 - 23
Sleeve Piston & Connecting Rod Assembly.....	24 - 25
Lubrication System (Oil Pump).....	26 - 27
Lubrication Oil Filter Assembly	28 - 29
Cooling System	30 - 31
Radiator Assembly	32 - 33
Fuel Injection System	34 - 37
Package Gasket, O' Rings, Sleeve & Piston Rings, Valves	38 - 41

Engine Complete, Major Crankcase Assembly

Engine Complete, Major Crankcase Assembly

Ref.	Description of Part	Unit Quantity per tractor 4WD					Remarks / Service Bulletin No.
		6030		6530		7030	
		RSMN	RSMX	PSMF	PSMA	PSMX	
*	ENGINE Assembly Complete	1	1	-	-	-	
*	MAJOR CRANKCASE Assembly	1	1	-	-	-	
*	ENGINE Assembly Complete	-	-	1	1	1	
*	MAJOR CRANKCASE Assembly	-	-	1	1	1	

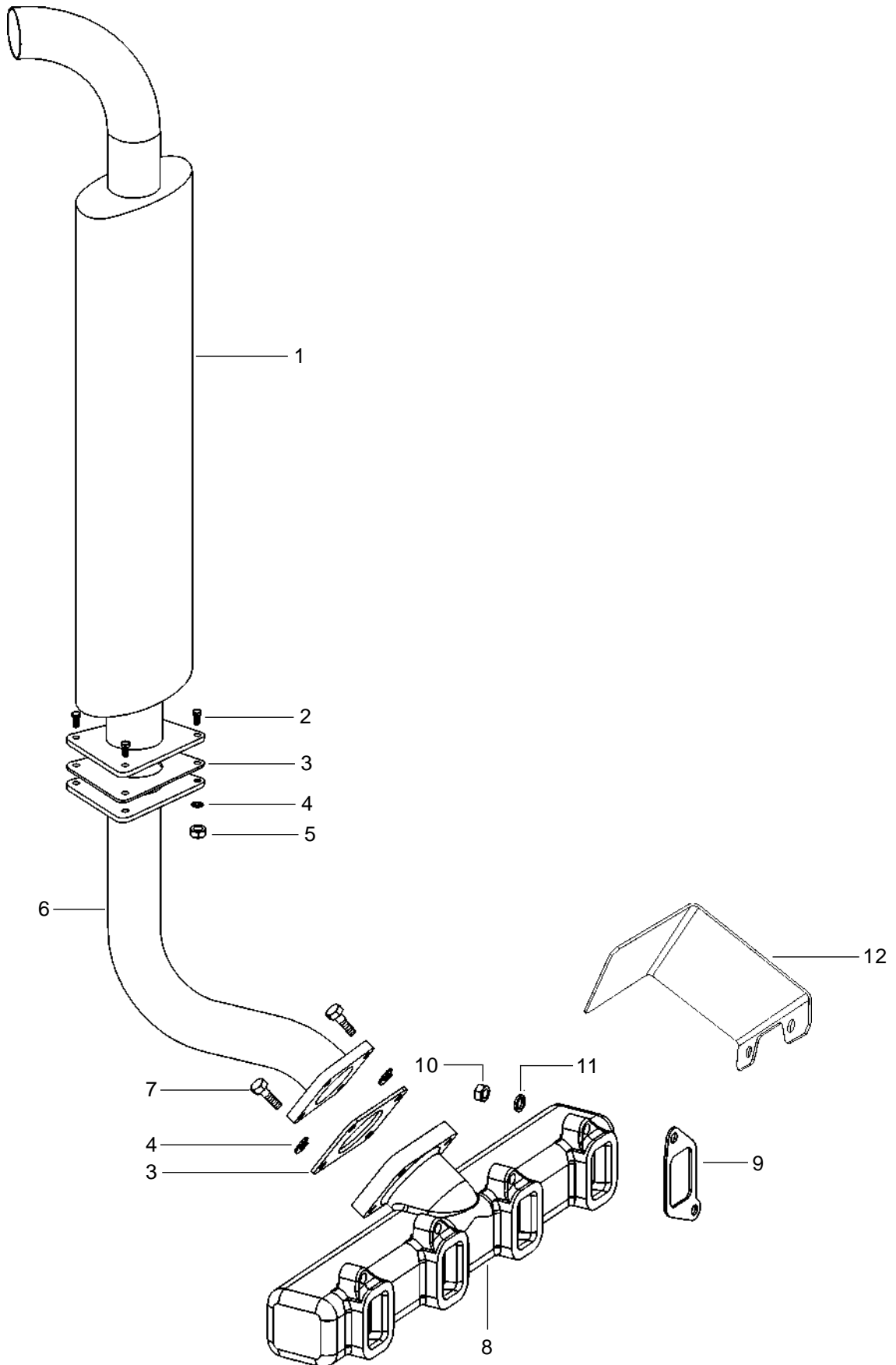
Valve Housing Cover



Valve Housing Cover

Ref.	Description of Part	Unit Quantity per tractor 4WD					Remarks / Service Bulletin No.
		6030		6530		7030	
		RSMA	RSMN	PSMF	PSMA	PSMX	
1	COVER Cylinder Head 4 Cylinder	1	1	1	1	1	
2	OIL FILLER Cap	1	1	1	1	1	
3	O' RING Oil Filler Cap	1	1	1	1	1	
4	BOLT M8 x 1.25 x 95 for Mtg. Cvr. Cylinder Head	8	8	8	8	8	
5	GASKET Liquid	A/R	A/R	A/R	A/R	A/R	
6	BOLT Banjo M16 x 1.5	1	1	1	1	1	
7	SEALING WASHER 16 x 20 Copper	2	2	2	2	2	
8	HOSE Cover to Oil Separator – 4 Cylinder	1	1	1	1	1	
9	CLIP for Hose – Cover to Oil Separator	1	1	1	1	1	
10	HEX. Bolt M8 x 100	1	1	1	1	1	
11	OIL SEPARATOR	1	1	1	1	1	
12	BRACKET for Oil Separator Mounting	1	1	–	–	–	
12	BRACKET for Oil Separator Mounting	–	–	1	1	1	
13	BOLT M6 x 20 for Mounting Oil Separator	1	1	1	1	1	
14	NUT M61	1	1	1	1		
15	WASHER Plain for Oil Separator Mounting	1	1	1	1	1	
16	HOSE from Oil Separator to IPG Cover	1	1	1	1	1	
17	CLIP for Hose – Cover to Oil Separator	2	2	2	2	2	
18	HOSE Oil Separator to CPI Manifold – 4 Cylinder	1	1	–	–	–	
18a	HOSE Oil Separator to CPI Manifold – 4 Cylinder	–	–	1	1	1	
19	CLIP for Hose – Oil Separator to CPI Manifold	2	2	2	2	2	
20	COVER Comp. F.I.P. Gear	1	1	1	1	1	

Exhaust System

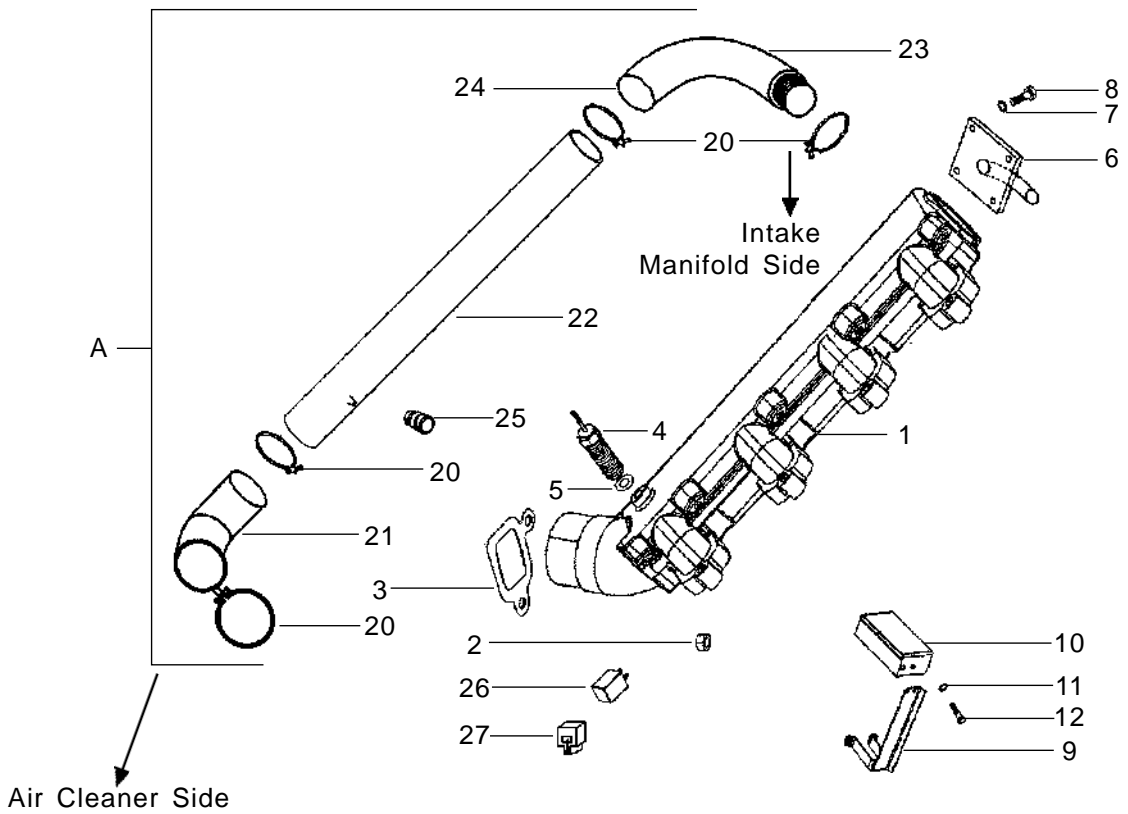
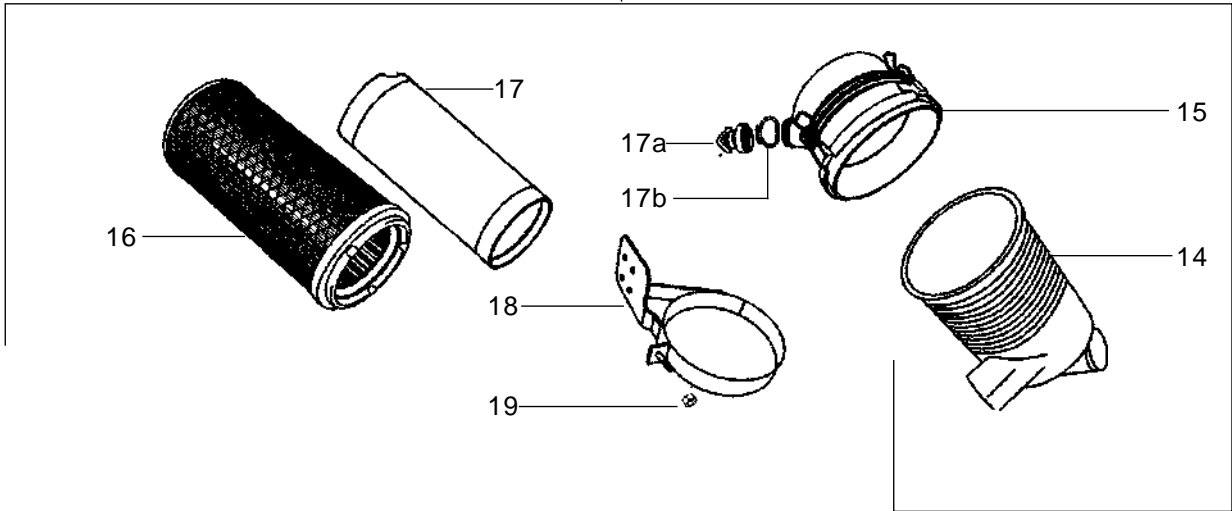


Exhaust System

Ref.	Description of Part	Unit Quantity per tractor 4WD					Remarks / Service Bulletin No.
		6030		6530		7030	
		R SMA	R SMN	PSMF	PSMA	PSMX	
1	SILENCER Assembly	1	1	1	1	1	
2	HEX. BOLT	4	4	4	4	4	
3	GASKET Stub Pipe	2	2	2	2	2	
4	WASHER Spring Lock M8	8	8	8	8	8	
5	NUT M8	4	4	4	4	4	
6	STUB Pipe 4 Cylinder Export	1	1	1	1	1	
7	BOLT Hex. M8 x 35	4	4	4	4	4	
8	MANIFOLD Exhaust	1	1	1	1	1	
9	GASKET Exhaust Manifold	4	4	4	4	4	
10	NUT M8	8	8	8	8	8	
11	WASHER Spring Lock M8	8	8	8	8	8	
12	HEAT Shield	1	1	1	1	1	

Air Intake System

13

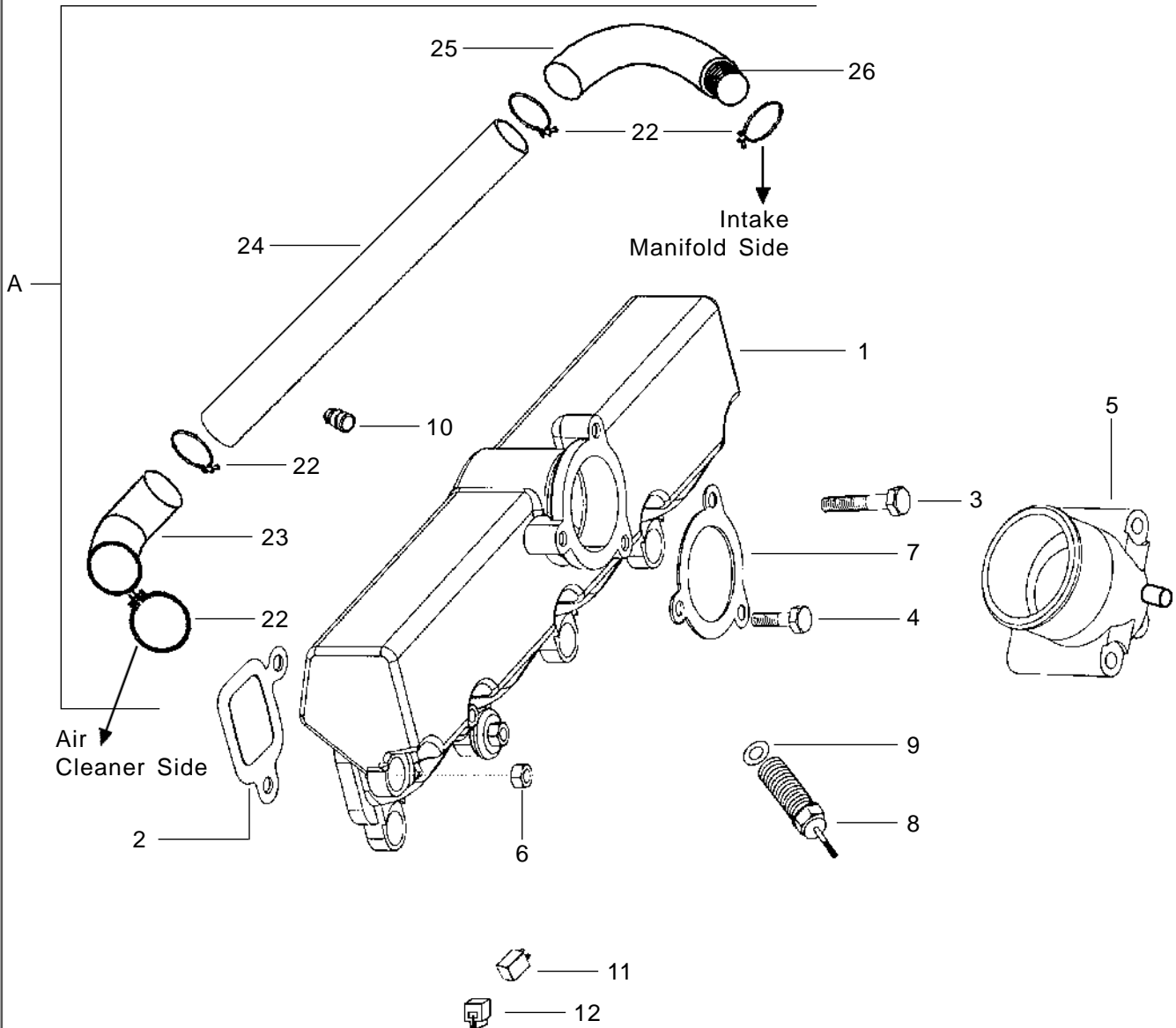
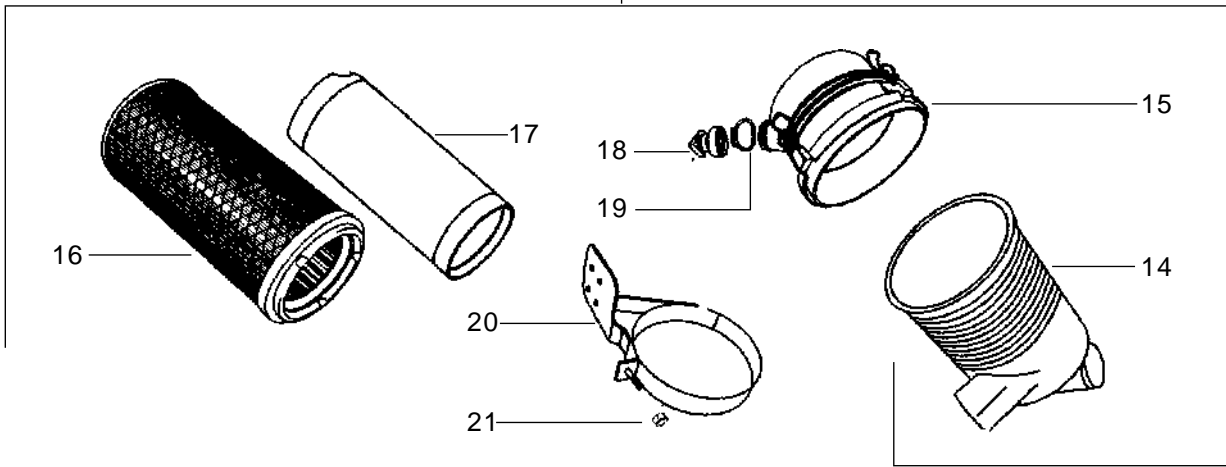


Air Intake System

Ref.	Description of Part	Unit Quantity per tractor 4WD					Remarks / Service Bulletin No.
		6030		6530		7030	
		R SMA	R SMN	P SMF	P SMA	P SMX	
1	MANIFOLD Intake - 4 Cylinder	1	1	-	-	-	
2	NUT M8	9	9	-	-	-	
3	GASKET Intake Manifold	4	4	-	-	-	
4	HEATER Air intake for Cold Starting	1	1	-	-	-	
5	WASHER Copper for Heater Plug	1	1	-	-	-	
6	END PLATE CI Intake Manifold	1	1	-	-	-	
7	WASHER M6 Spring	4	4	-	-	-	
8	BOLT M6 x 16 Hex. Head	4	4	-	-	-	
9	BRACKET Shield Intake Heater	1	1	-	-	-	
10	SHIELD Intake Heater	1	1	-	-	-	
11	WASHER M5 Spring	2	2	-	-	-	
12	BOLT M5 x 15	2	2	-	-	-	
13	AIR CLEANER Assembly Consist of	1	1	-	-	-	
14	▶ BODY ASSEMBLY Air Cleaner	1	1	-	-	-	
15	▶ DUST Cover	1	1	-	-	-	
16	▶ PAPER Element	1	1	-	-	-	
17	▶ SAFETY Cartridge	1	1	-	-	-	
17a	▶ DUST Unloader Valve	1	1	-	-	-	
17b	▶ CLIP Dust Unloader Valve	1	1	-	-	-	
18	BRACKET Assembly Air Cleaner Consist of	1	1	-	-	-	
19	NUT Wing M6	1	1	-	-	-	
A	ASSSEMBLY AIR CLEANER Hose Consist of	1	1	-	-	-	
20	▶ CLIP Hose	4	4	-	-	-	
21	▶ HOSE Intake at Air Cleaner Side	1	1	-	-	-	
22	▶ METALLIC Pipe	1	1	-	-	-	
23	▶ HOSE Intake Manifold Side	1	1	-	-	-	
24	▶ SPRING Air Intake Hose Manifold Side	1	1	-	-	-	
25	SERVICE Indicator Assembly	1	1	-	-	-	
26	TIMER KSB - Blue	1	1	-	-	-	
27	SHORT Link (Connector)	1	1	-	-	-	

Air Intake System

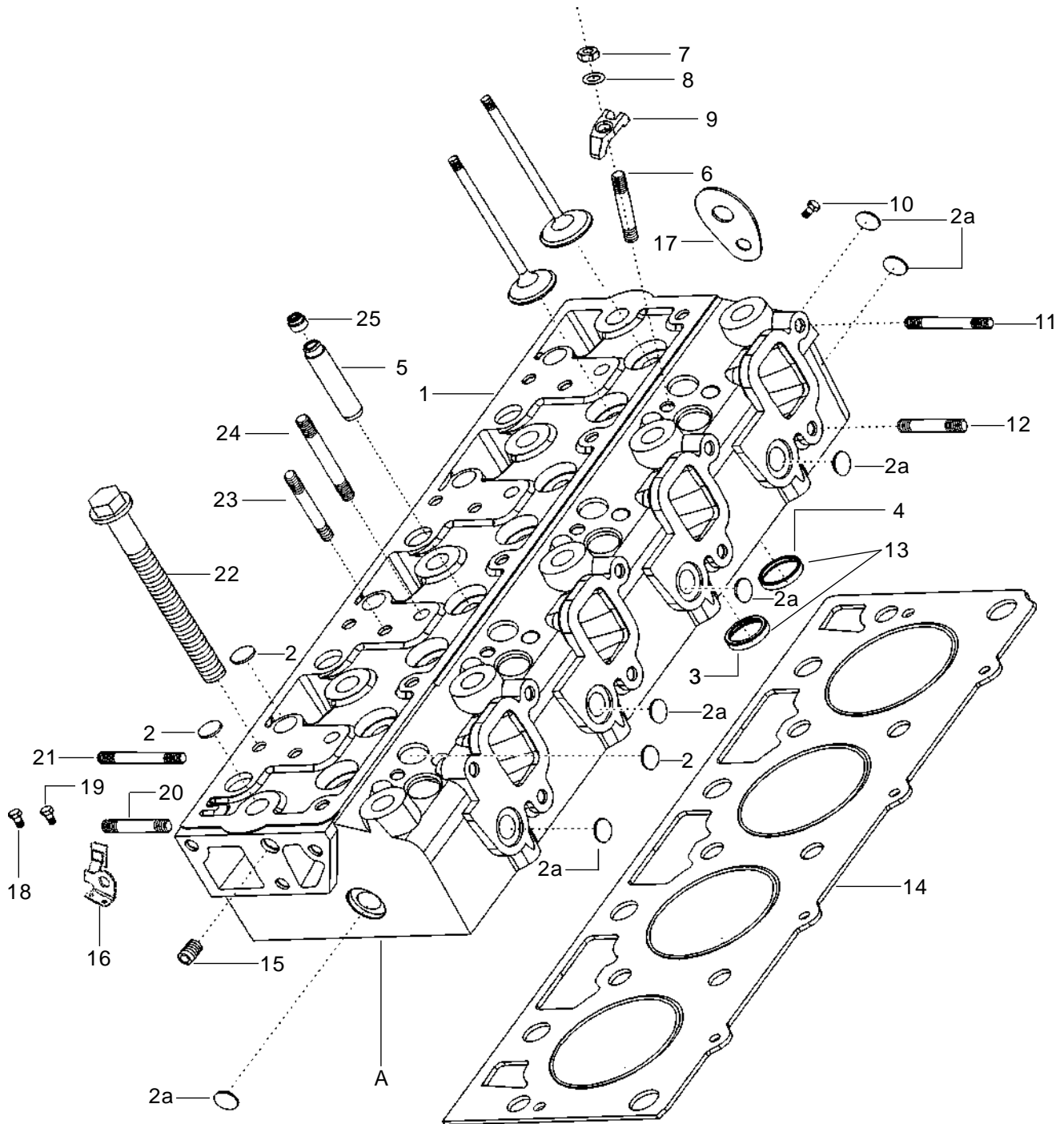
13



Air Intake System

Ref.	Description of Part	Unit Quantity per tractor 4WD					Remarks / Service Bulletin No.
		6030		6530		7030	
		RSMA	RSMN	PSMF	PSMA	PSMX	
1	MANIFOLD Intake - 4 Cylinder	-	-	1	1	1	
2	GASKET Intake Manifold	-	-	9	9	9	
3	BOLT Hex. M8 x 85	-	-	2	2	2	
4	BOLT Hex. M8 x 35	-	-	1	1	1	
5	CONNECTING Pipe Intake Manifold	-	-	1	1	1	
6	NUT M8	-	-	9	9	9	
7	GASKET For Connecting Pipe	-	-	1	1	1	
8	HEATER Air intake for Cold Starting	-	-	4	4	4	
9	WASHER Copper for Heater Plug	-	-	1	1	1	
10	SERVICE Indicator Assembly	-	-	1	1	1	
11	TIMER KSB - Blue	-	-	1	1	1	
12	SHORT Link (Connector)	-	-	1	1	1	
13	AIR CLEANER Assembly Consist of	-	-	1	1	1	
14	▶ BODY ASSEMBLY Air Cleaner	-	-	1	1	1	
15	▶ DUST Cover	-	-	1	1	1	
16	▶ PAPER Element	-	-	1	1	1	
17	▶ SAFETY Cartridge	-	-	1	1	1	
18	▶ DUST Unloader Valve	-	-	1	1	1	
19	▶ CLIP Dust Unloader Valve	-	-	1	1	1	
20	BRACKET Assembly Air Cleaner Consist of	-	-	1	1	1	
21	NUT Wing M6	-	-	1	1	1	
A	ASSEMBLY Air Cleaner Hose Consist of	-	-	1	1	1	
22	▶ CLIP Hose	-	-	4	4	4	
23	▶ HOSE Intake at Air Cleaner Side	-	-	1	1	1	
24	▶ METALLIC Pipe	-	-	1	1	1	
25	▶ HOSE Intake Manifold Side	-	-	1	1	1	
26	▶ SPRING Air Intake Hose Manifold Side	-	-	1	1	1	

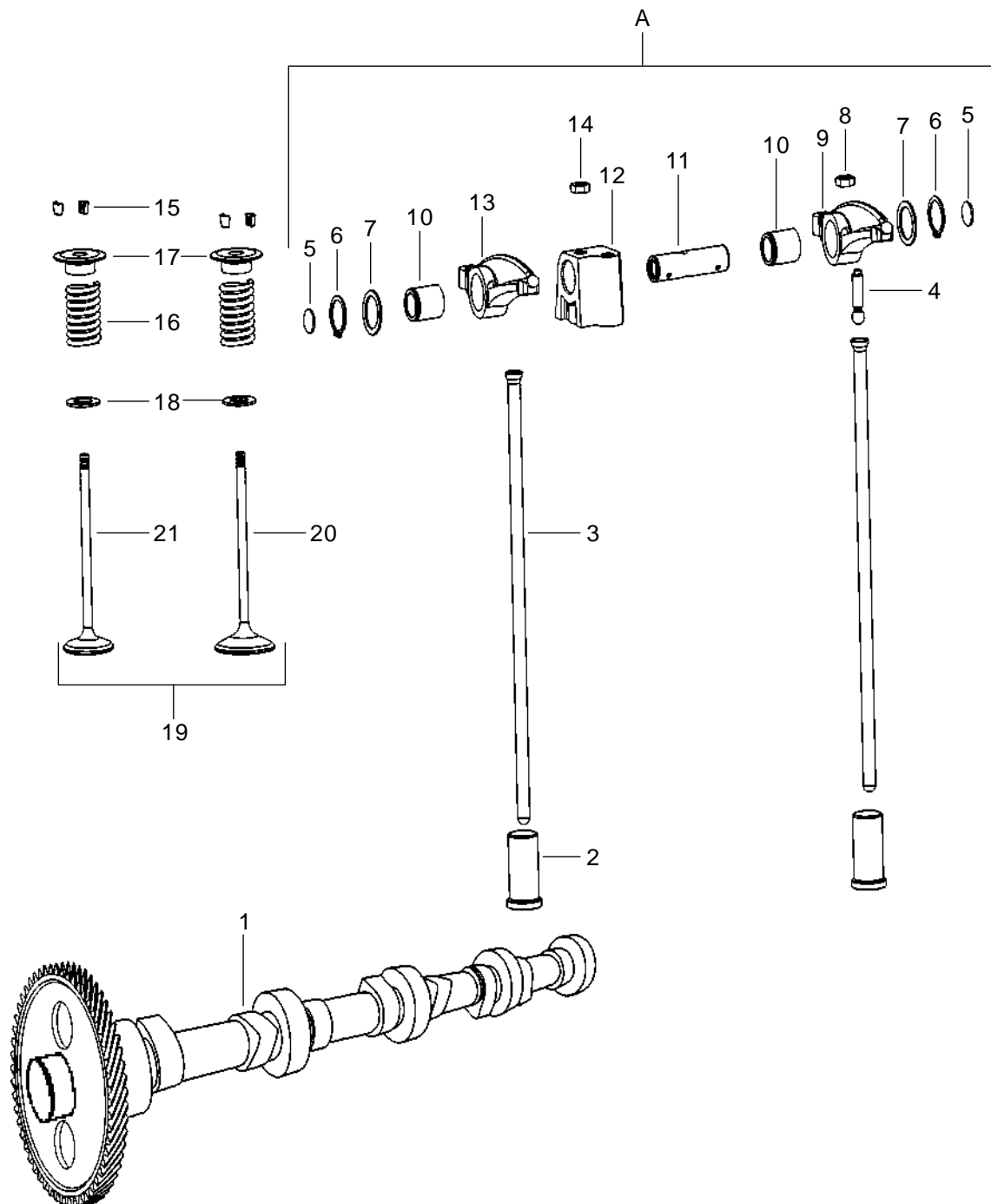
Cylinder Head Assembly



Cylinder Head Assembly

Ref.	Description of Part	Unit Quantity per tractor 4WD					Remarks / Service Bulletin No.
		6030		6530		7030	
		R5MA	R5MN	P5MF	P5MA	P5MX	
A	CYLINDER HEAD with Valve Guide & Valve Seats Consist of	1	1	1	1	1	
1	▶ CYLINDER HEAD	1	1	1	1	1	
2	▶ EXPANSION Plugs	1	1	8	8	8	
2a	▶ EXPANSION Plugs	7	7	7	7	7	
3	▶ VALVE Seat Exhaust	4	4	4	4	4	
4	▶ VALVE Seat Intake	4	4	4	4	4	
5	▶ VALVE Guide	8	8	8	8	8	
6	STUD M8 x 45	4	4	4	4	4	
7	NUT M8 For Clamp Nozzle Holder	4	4	4	4	4	
8	WASHER 8.4 For Clamp Nozzle Holder	4	4	–	–	–	
8	WASHER 8.4 For Clamp Nozzle Holder	–	–	4	4	4	
9	CLAMP Nozzle Holder	4	4	4	4	4	
10	BOLT Flanged Hex. Head M8 x 1.25 x 16	2	2	2	2	2	
11	STUD M8 x 70	5	5	5	5	5	
12	STUD M8 x 40	4	4	4	4	4	
13	SET of Valve Seats Consist of						
3	▶ VALVE Seat Exhaust	4	4	4	4	4	
4	▶ VALVE Seat Intake	4	4	4	4	4	
14	GASKET Cylinder Head	1	1	1	1	1	
15	PLUG Hex. Socket Pipe M10 x 1 for Oil Gallery	2	2	2	2	2	
16	LIFTING Eye – Front	1	1	1	1	1	
17	LIFTING Eye – Rear	1	1	1	1	1	
18	BOLT Hex. M10 x 1.5 x 20	1	1	1	1	1	
19	BOLT Hex. M10 x 25	1	1	1	1	1	
20	STUD M8 x 40	4	4	4	4	4	
21	STUD M8 x 70	4	4	4	4	4	
22	BOLT Cylinder Head	10	10	10	10	10	
23	STUD M8 x 70	4	4	4	4	4	
24	STUD M8 x 80	4	4	4	4	4	
25	VALVE Stem Seal	8	8	8	8	8	

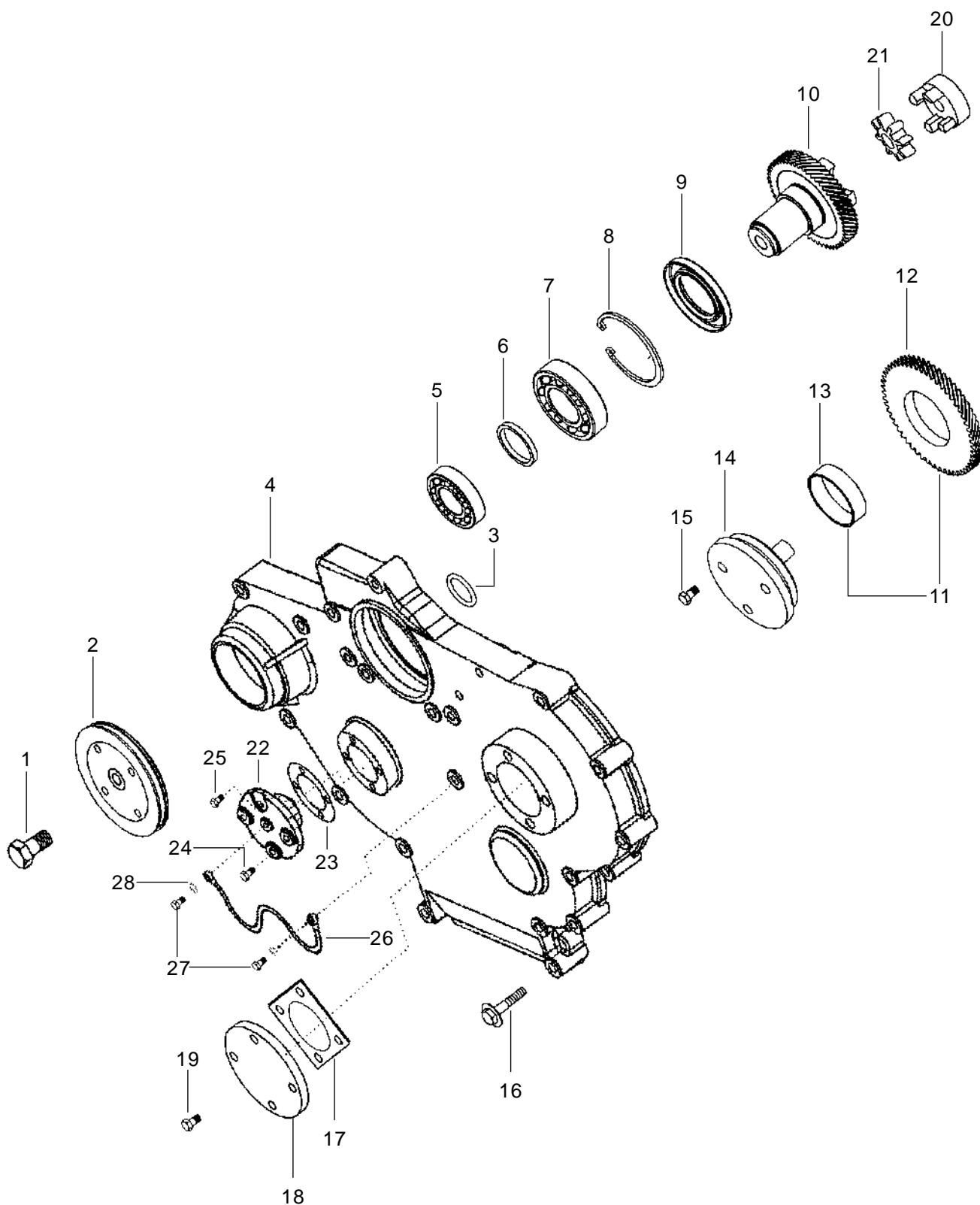
Valve Train



Valve Train

Ref.	Description of Part	Unit Quantity per tractor 4WD					Remarks / Service Bulletin No.
		6030		6530		7030	
		RSMA	RSMN	PSMF	PSMA	PSMX	
1	EXTENDED Camshaft Sub – Assembly	1	1	–	–	–	
1	EXTENDED Camshaft Sub – Assembly	–	–	1	1	1	
2	TAPPET	8	8	8	8	8	
3	PUSH ROD	8	8	–	–	–	
3	PUSH ROD	–	–	8	8	8	
A	ARM ROCKER Complete Consist of	4	4	4	4	4	
4	▶ SCREW Adjusting	8	8	8	8	8	
5	▶ PLUG Tapper	8	8	8	8	8	
6	▶ RING Seeger 22 x 1.2	8	8	8	8	8	
7	▶ WASHER Valve Lever Shaft	8	8	8	8	8	
8	▶ NUT M8 x 1	8	8	8	8	8	
B	▶ ROCKER ARM INTAKE Assembly Consists of	4	4	4	4	4	
9	▶▶ ROCKER ARM Intake	4	4	4	4	4	
10	▶▶ BUSH For Rocker Arm	4	4	4	4	4	
11	▶▶ SHAFT Rocker Arm	4	4	4	4	4	
12	▶▶ PEDESTAL Rocker Arm	4	4	4	4	4	
C	▶ ROCKER ARM EXHAUST Assembly Consists of	4	4	4	4	4	
10	▶▶ BUSH For Rocker Arm	4	4	4	4	4	
13	▶▶ ROCKER ARM Exhaust	4	4	4	4	4	
14	NUT M8 For Pedestal	8	8	8	8	8	
15	VALVE Lock – Half	16	16	16	16	16	
16	VALVE Spring	8	8	8	8	8	
17	RETAINER Upper for Valve Spring	8	8	8	8	8	
18	WASHER Valve Spring Retainer Lower	8	8	8	8	8	
19	SET OF VALVES Consist of						
20	▶ VALVE Engine Intake	4	4	4	4	4	
21	▶ VALVE Engine Exhaust	4	4	4	4	4	
*	KIT for Extended Camshaft Arrangement	1	1	–	–	–	
*	KIT for Extended Camshaft Arrangement	–	–	1	1	1	

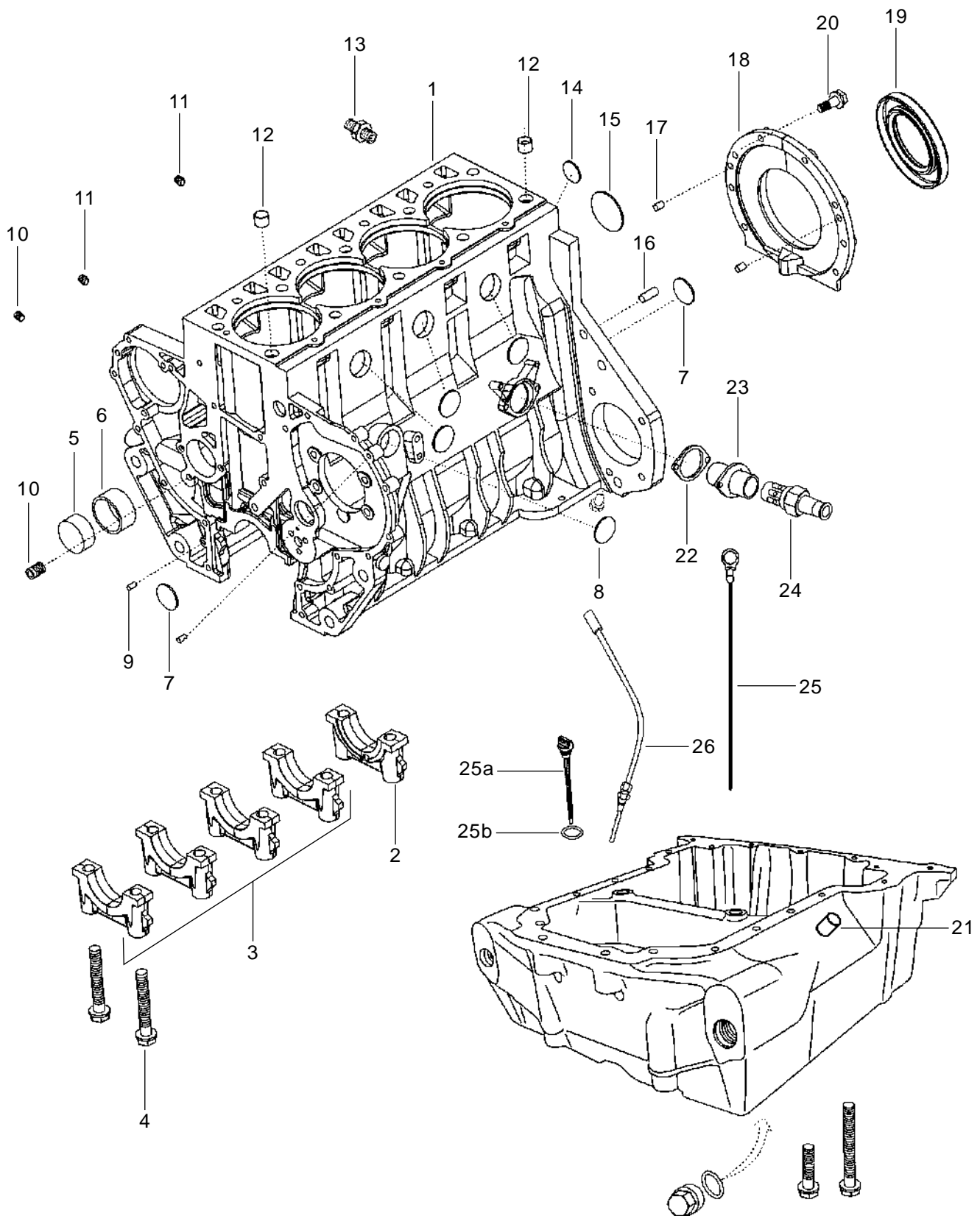
Crankcase Front Cover



Crankcase Front Cover

Ref.	Description of Part	Unit Quantity per tractor 4WD					Remarks / Service Bulletin No.
		6030		6530		7030	
		RSMA	RSMN	PSMF	PSMA	PSMX	
1	BOLT Hex. M12 x 60	1	1	1	1	1	
2	PULLEY Main Drive	1	1	1	1	1	
3	O' RING	1	1	1	1	1	
A	FRONT COVER Sub Assembly Consisting of	1	1	1	1	1	
4	▶ COVER Front	1	1	1	1	1	
5	▶ BALL Bearing 6007.2	1	1	1	1	1	
6	▶ SPACER	1	1	1	1	1	
7	▶ BALL Bearing 6207.2	1	1	1	1	1	
8	▶ SEEGER Ring 72 x 2.5 (Circlip)	1	1	1	1	1	
9	▶ OIL SEAL Front	1	1	1	1	1	
10	▶ GEAR Hydraulic Pump Drive	1	1	1	1	1	
11	IDLER Gear Assembly with Bush	1	1	1	1	1	
12	▶ IDLER Gear	1	1	1	1	1	
13	▶ BUSH Idler Gear	1	1	1	1	1	
14	SHAFT Idler Gear	1	1	1	1	1	
15	BOLT Hex. M8 x 35	3	3	3	3	3	
16	BOLT Hex. M8 x 45	22	22	22	22	22	
17	GASKET Cover Injection Pump Gear	1	1	1	1	1	
18	COVER Injection Pump Gear	1	1	1	1	1	
19	BOLT Hex. M8 x 20	4	4	4	4	4	
20	CLUTCH Gear Hydraulic Pump	1	1	1	1	1	
21	RUBBER Clutch	1	1	1	1	1	
22	BEARING Housing	1	1	1	1	1	
23	GASKET	1	1	1	1	1	
24	BOLT M8 x 25	3	3	3	3	3	
25	BOLT M8 x 16	1	1	1	1	1	
26	PIPE Lubrication	1	1	1	1	1	
27	BOLT Banjo M10 x 1	2	2	2	2	2	
28	WASHER	4	4	4	4	4	

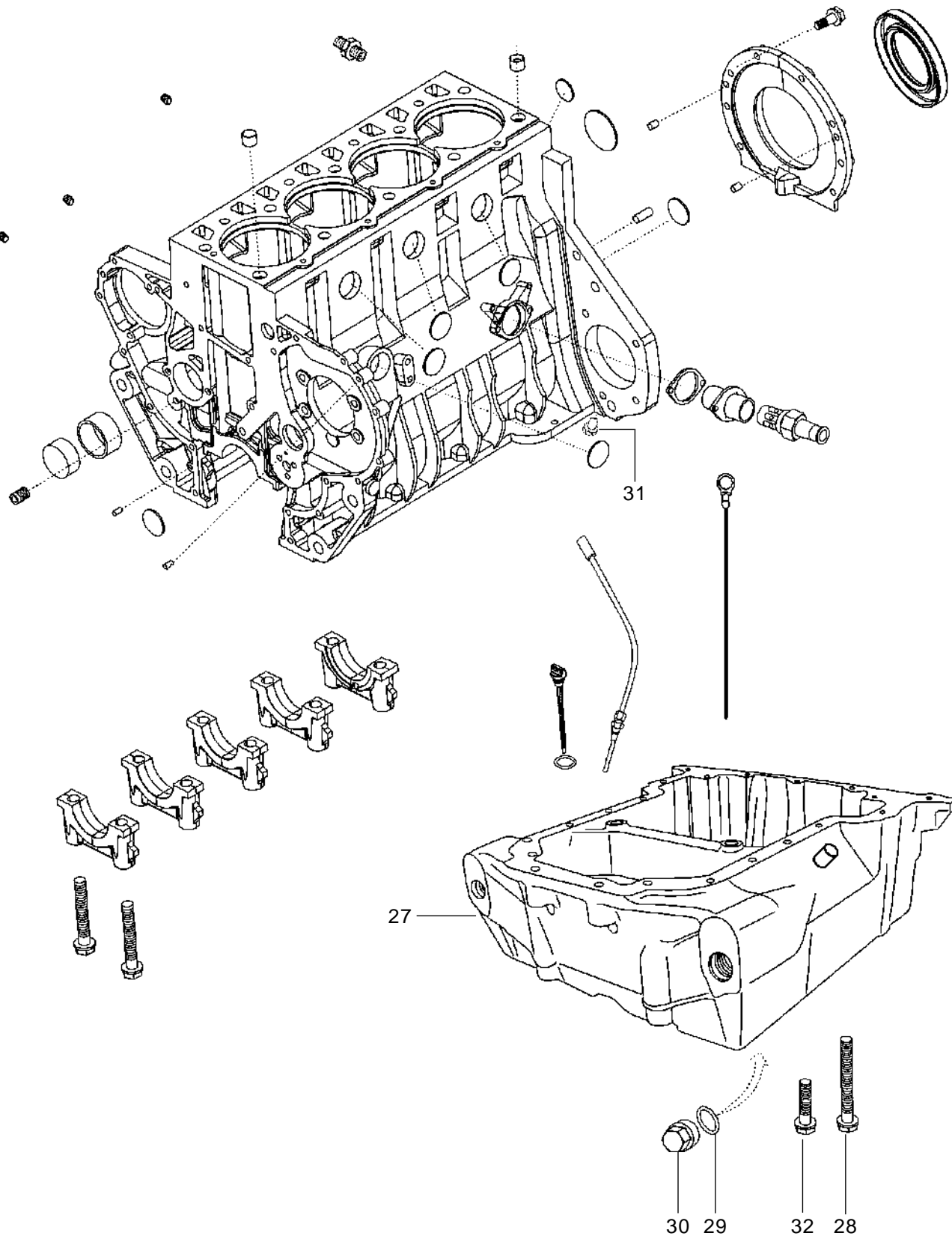
Crankcase with Oil Pan



Crankcase with Oil Pan

Ref.	Description of Part	Unit Quantity per tractor 4WD					Remarks / Service Bulletin No.
		6030		6530		7030	
		RSMA	RSMN	PSMF	PSMA	PSMX	
A	ASSEMBLY Crankcase 4 Cylinder Consist of	1	1	–	–	–	
1	▶ CRANKCASE 4 Cylinder NEF	1	1	–	–	–	
2	▶ CAP Main Bearing – Rear	1	1	–	–	–	
3	▶ CAP Main Bearing – Front	4	4	–	–	–	
B	ASSEMBLY Crankcase 4 Cylinder Consist of	–	–	1	1	1	
1	▶ CRANKCASE 4 Cylinder NEF	–	–	1	1	1	
2	▶ CAP Main Bearing – Rear	–	–	1	1	1	
3	▶ CAP Main Bearing – Front	–	–	4	4	4	
4	BOLT Main Bearing Cap	10	10	10	10	10	
5	BUSH Camshaft Front	1	1	1	1	1	
6	BUSH Camshaft – Rear	4	4	4	4	4	
7	PLUG 36	2	2	2	2	2	
8	EXPANSION Plug 40	4	4	4	4	4	
9	PIN Parallel 8 M6 x 12	2	2	2	2	2	
10	PLUG M14 x 1.5	6	6	6	6	6	
11	PLUG Hex. Socket Pipe M10 x 1	3	3	3	3	3	
12	SLEEVE	2	2	2	2	2	
13	ADAPTOR Oil Pressure Pipe	1	1	1	1	1	
14	PLUG 30	1	1	1	1	1	
15	PLUG 56	1	1	1	1	1	
16	DOWEL PIN	2	2	2	2	2	
17	PIN Parallel	2	2	2	2	2	
18	OIL SEAL Retainer Rear	1	1	1	1	1	
19	OIL SEAL Rear	1	1	1	1	1	
20	BOLT Hex. M8 x 25	8	8	8	8	8	
21	PLUG M14 for oil pan	1	1	1	1	1	
22	GASKET Water Drain Plug	1	1	1	1	1	
23	HOUSING Water Drain Plug	1	1	1	1	1	
24	DRAIN PLUG Water	1	1	1	1	1	
25	ASSEMBLY DIPSTICK TYM	–	–	1	1	1	
25a	ASSEMBLY DIPSTICK	1	1	–	–	–	
25b	O’RING for Dipstick	1	1	–	–	–	
26	GUIDE Assembly Dipstick TYM	–	–	1	1	1	

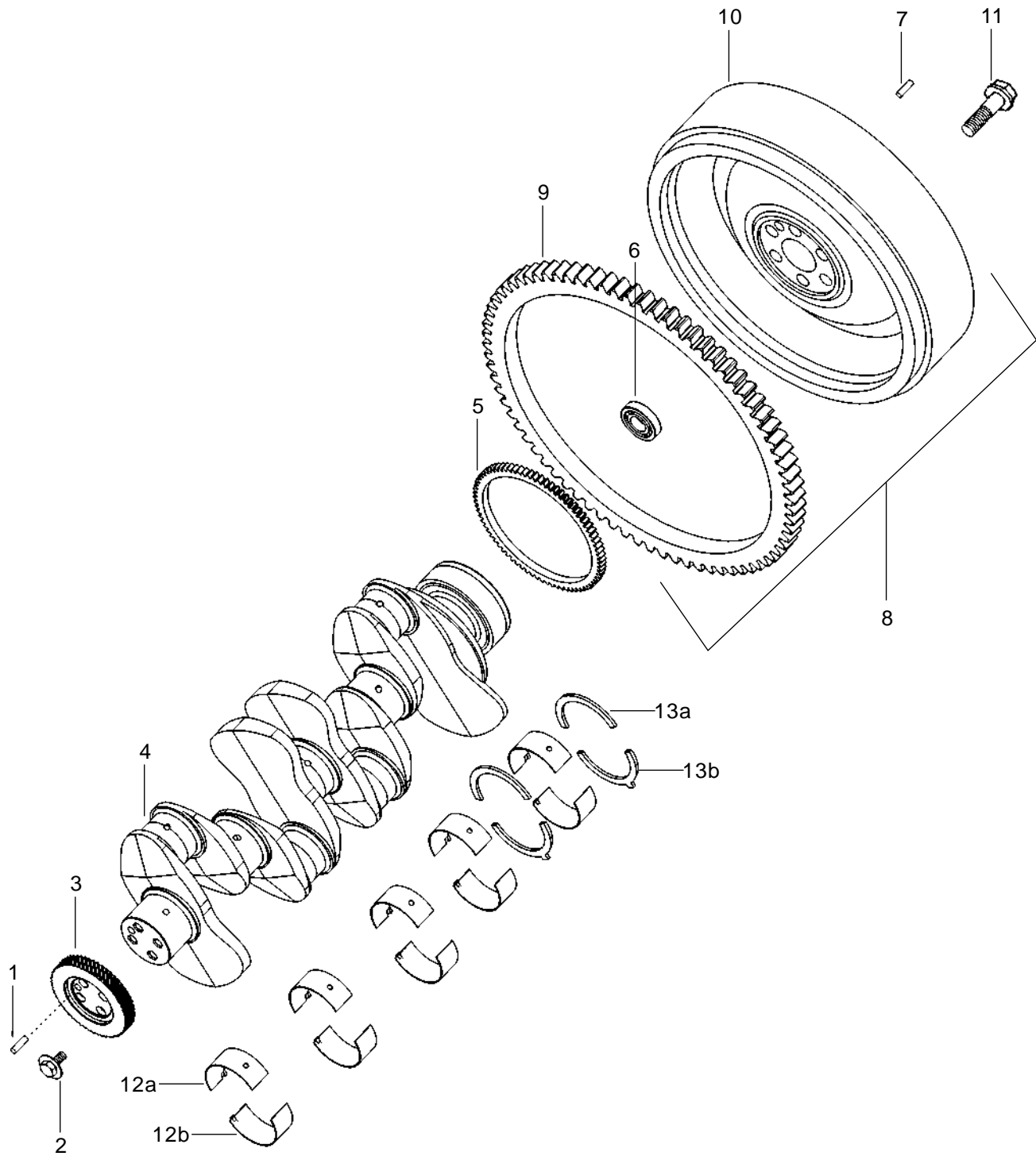
Crankcase with Oil Pan



Crankcase with Oil Pan

Ref.	Description of Part	Unit Quantity per tractor 4WD					Remarks / Service Bulletin No.
		6030		6530	7030		
		RSMA	RSMN	PSMF	PSMA	PSMX	
27	OIL PAN – 4 Cylinder 4WD	1	1	1	1	1	
28	BOLT Hex. M8 x 145	25	25	25	25	25	
29	SEALING Ring A26 x 31 For Oil Drain	1	1	1	1	1	
30	DRAIN PLUG M26 x 1.5 For Oil Drain	1	1	1	1	1	
31	PIN Sealing for Fuel Timing Hole	1	1	1	1	1	
32	BOLT M8 x 50	4	4	4	4	4	

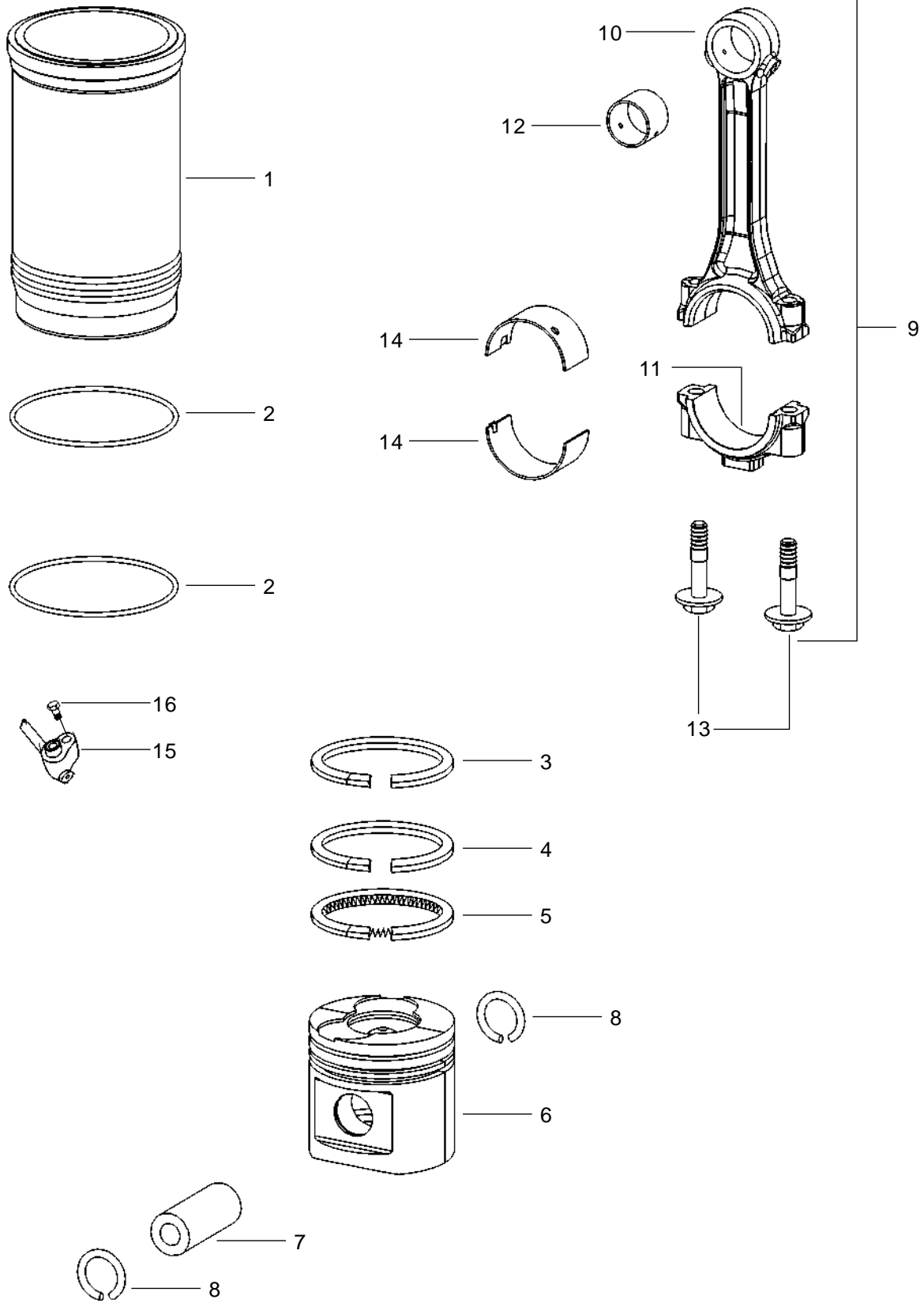
Crankshaft Assembly



Crankshaft Assembly

Ref.	Description of Part	Unit Quantity per tractor 4WD					Remarks / Service Bulletin No.
		6030		6530		7030	
		RSMA	RSMN	PSMF	PSMA	PSMX	
1	PARALLEL PIN 8 M6 x 18	1	1	1	1	1	
2	BOLT Hex. M10 x 1 x 20	4	4	4	4	4	
3	GEAR Crankshaft	1	1	1	1	1	
4	CRANKSHAFT – 4 Cylinder	1	1	–	–	–	
4	CRANKSHAFT – 4 Cylinder S.S.	–	–	1	1	1	
5	GEAR Oil Pump Drive Crankshaft	1	1	1	1	1	
6	BEARING Clutch Pilot – 4WD	1	1	1	1	1	
7	PARALLEL PIN 10 M6 x 20	1	1	1	1	1	
8	FLYWHEEL Assembly Consist of	1	1	1	1	1	
9	└─▶ RING GEAR	1	1	1	1	1	
10	└─▶ FLYWHEEL	1	1	1	1	1	
11	BOLT Hex. M14 x 1.5 x 33	6	6	6	6	6	
12a	MAIN BEARING Top	5	5	5	5	5	
12b	MAIN BEARING Bottom	5	5	5	5	5	
13a	THRUST WASHER Without Lug	2	2	2	2	2	
13b	THRUST WASHER With Lug	2	2	2	2	2	

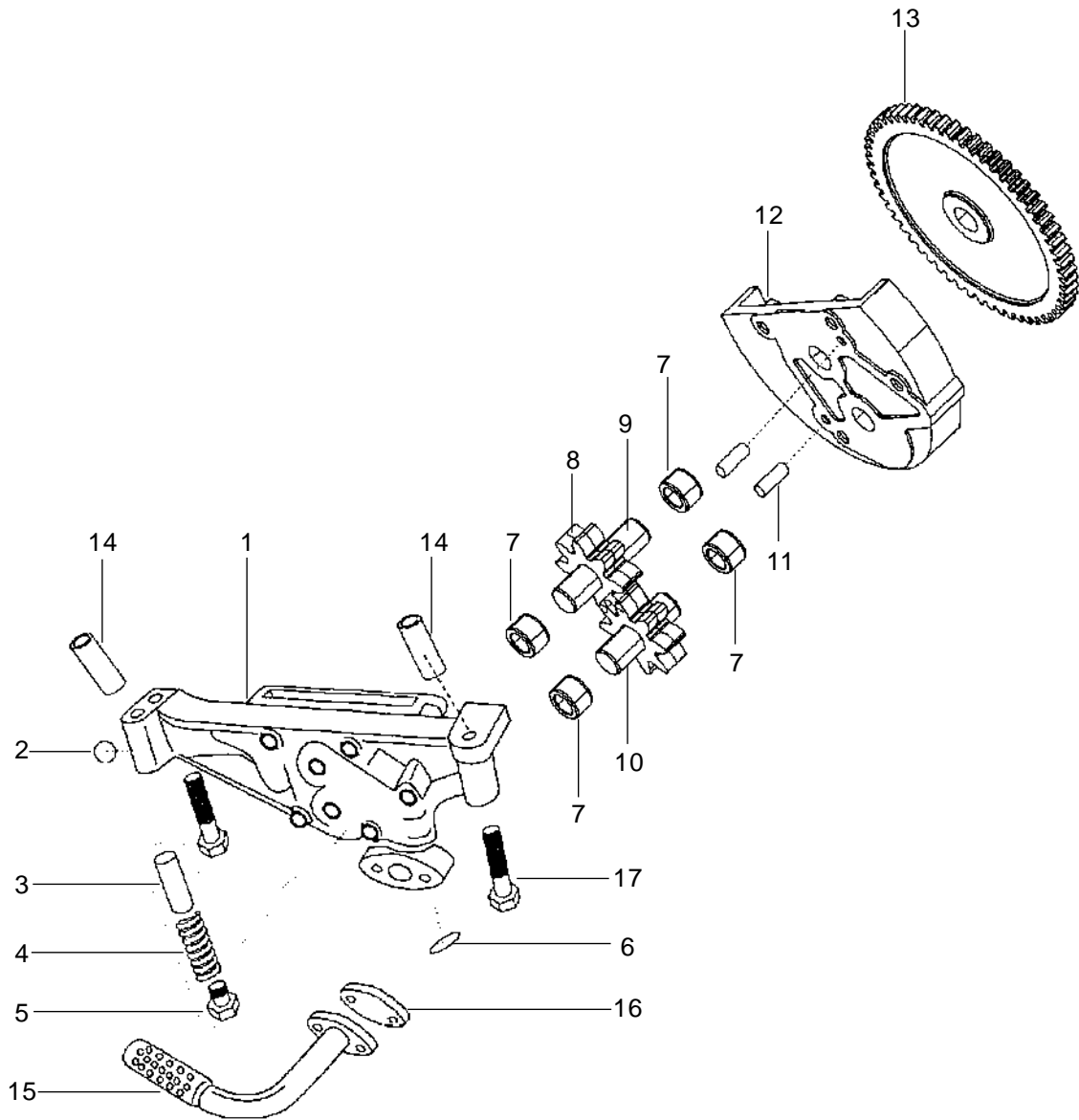
Sleeve Piston & Connecting Rod Assembly



Sleeve Piston & Connecting Rod Assembly

Ref.	Description of Part	Unit Quantity per tractor 4WD					Remarks / Service Bulletin No.
		6030		6530		7030	
		RSMA	RSMN	PSMF	PSMA	PSMX	
1	CYLINDER Liner	4	4	–	–	–	
1	CYLINDER Liner	–	–	4	4	4	
2	O' RING For Cylinder Liner	8	8	8	8	8	
A	RING Set Piston – for Consist of						
3	▶ RING Top	4	4	–	–	–	
4	▶ RING Piston – Second	4	4	–	–	–	
5	▶ RING Piston Oil Control	4	4	–	–	–	
B	RING Set Piston – for Consist of						
3	▶ RING Top	–	–	4	4	4	
4	▶ RING Piston – Second	–	–	4	4	4	
5	▶ RING Piston Oil Control	–	–	4	4	4	
C	PISTON with Pin – for Consist of						
6	▶ PISTON	4	4	–	–	–	
7	▶ PIN Piston	4	4	–	–	–	
8	▶ RETAINER Piston Pin	8	8	–	–	–	
D	PISTON with Pin – for Consist of						
6	▶ PISTON	–	–	4	4	4	
7	▶ PIN Piston	–	–	4	4	4	
8	▶ RETAINER Piston Pin	–	–	8	8	8	
9	ASSEMBLY Connecting Rod Each Consist of	4	4	4	4	4	
10	▶ CONNECTING ROD W/o Cap	1	1	1	1	1	
11	▶ CAP Connecting Rod	1	1	1	1	1	
12	▶ BUSH Connecting Rod	1	1	1	1	1	
13	▶ BOLT Connecting Rod	2	2	2	2	2	
14	BEARING Shell Connecting Rod Upper & Lower	8	8	8	8	8	
15	PISTON Cooling Jet with Gasket	4	4	4	4	4	
16	BOLT M6 x 30 for Cooling Jet Mounting	4	4	4	4	4	

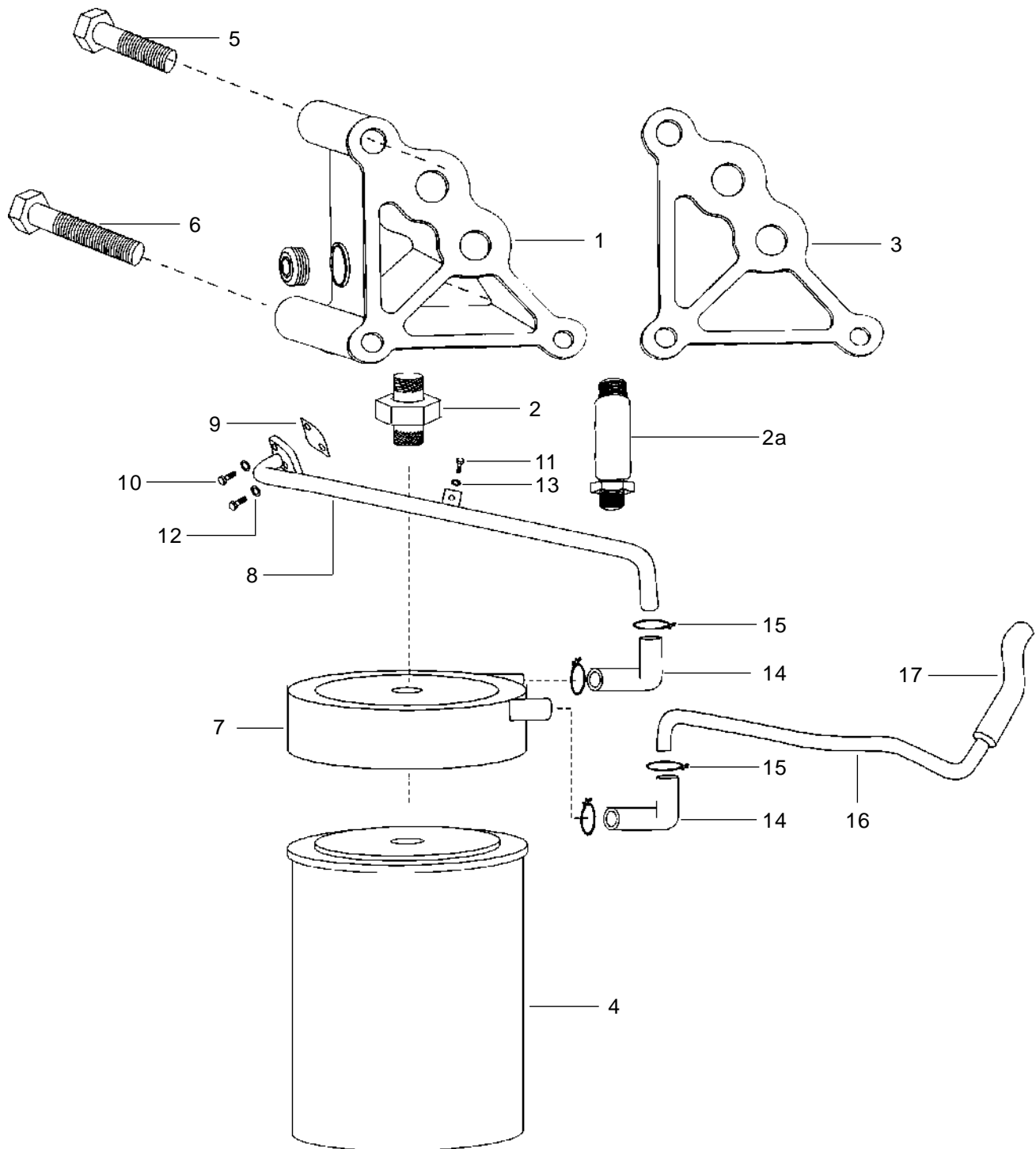
Lubrication System (Oil Pump)



Lubrication System (Oil Pump)

Ref.	Description of Part	Unit Quantity per tractor 4WD						Remarks / Service Bulletin No.
		6030		6530		7030		
		R SMA	R SMN	P SMF	P SMA	P SMX		
	ASSEMBLY OIL PUMP Consist of	1	1	1	1	1		
1	▶ HOUSING Oil Pump	1	1	1	1	1		
2	▶ PLUG 18	1	1	1	1	1		
3	▶ PISTON - Oil Relief Valve	1	1	1	1	1		
4	▶ SPRING - Oil Relief Valve	1	1	1	1	1		
5	▶ PLUG for Relief Valve	1	1	1	1	1		
6	▶ PLUG 14	1	1	1	1	1		
7	▶ BUSH For Oil Pump	4	4	4	4	4		
8	▶ GEAR Oil Pump	1	1	1	1	1		
9	▶ DRIVESHAFT Oil Pump	1	1	1	1	1		
10	▶ SHAFT Oil Pump	1	1	1	1	1		
11	▶ PARALLEL PIN M6 x 12mm	2	2	2	2	2		
12	▶ PLATE Oil Pump Cover	1	1	1	1	1		
13	▶ GEAR Oil Pump Drive	1	1	1	1	1		
14	LOCATION Sleeve for Oil Pump	2	2	2	2	2		
15	STRAINER Assembly 4WD	1	1	1	1	1		
16	GASKET For Suction Pipe	1	1	1	1	1		
17	BOLT Hex. M10 x 65 For Oil Pump Housing	2	2	2	2	2		

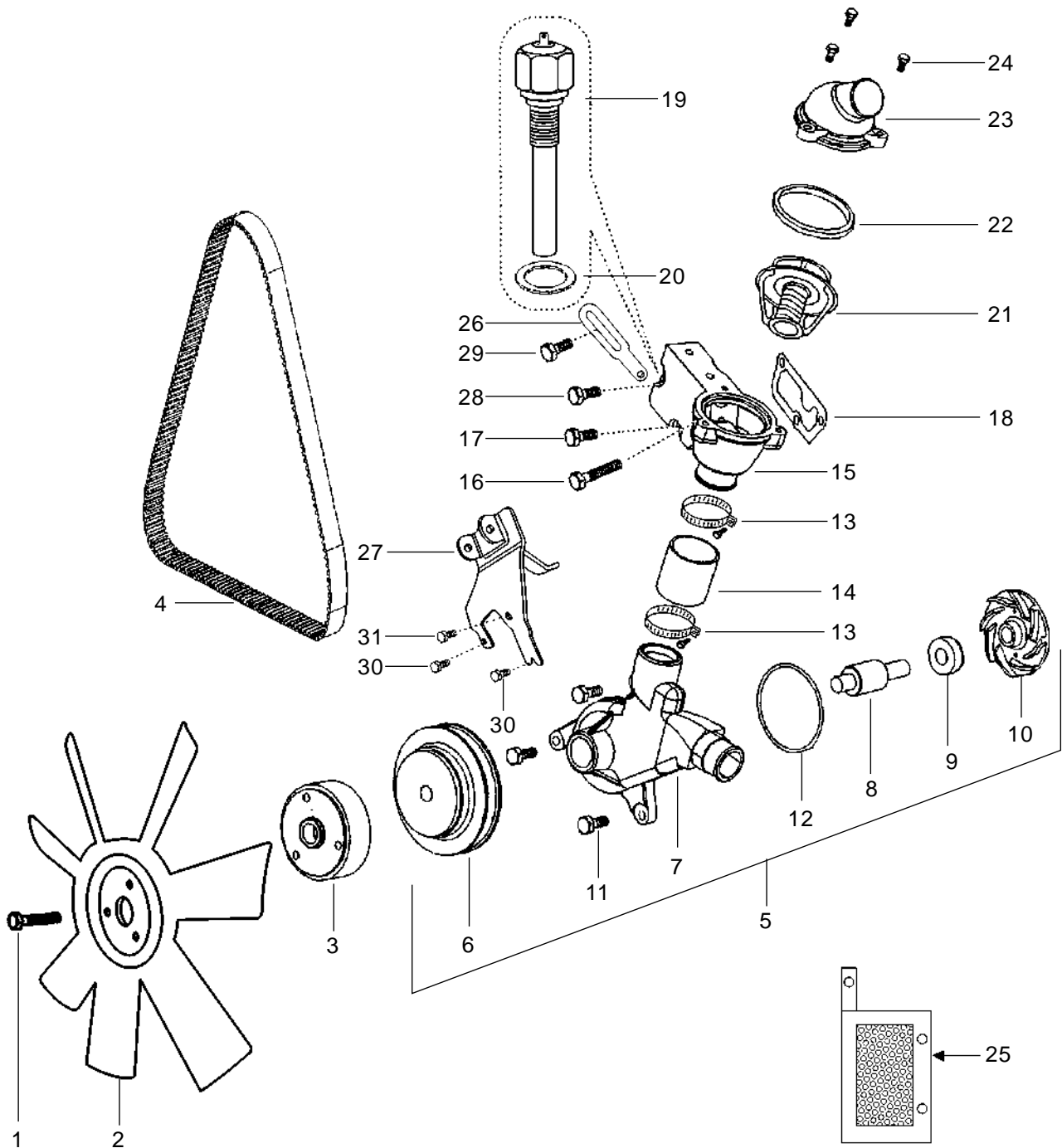
Lubrication Oil Filter Assembly



Lubrication Oil Filter Assembly

Ref.	Description of Part	Unit Quantity per tractor 4WD					Remarks / Service Bulletin No.
		6030		6530		7030	
		R SMA	R SMN	PSMF	PSMA	PSMX	
1	BRACKET Oil Filter (Casting)	1	1	1	1	1	
2	CONNECTING PLUG Oil Cooler	1	1	–	–	–	
2a	CONNECTING PLUG Oil Cooler	–	–	1	1	1	
3	GASKET Oil Filter Bracket	1	1	1	1	1	
4	OIL FILTER Assembly	1	1	1	1	1	
5	BOLT Flanged M8 x 1.25 x 45	1	1	1	1	1	
6	BOLT Flanged M8 x 70	2	2	2	2	2	
7	OIL Cooler – 5 Plate	1	1	–	–	–	
7	OIL Cooler – 10 Plate	–	–	1	1	1	
8	PIPE from Crankcase Rear to Hose Connector at Oil Cooler	1	1	1	1	1	
9	GASKET For Oil Cooler Pipe Flange – MNEF	1	1	1	1	1	
10	BOLT Flanged Hex. Head M6 x 1 x 16	4	4	4	4	4	
11	BOLT Flanged Hex. Head M6 x 1.0 x 12	1	1	1	1	1	
12	WASHER Spring Lock M6	5	5	5	5	5	
13	WASHER Plain M6	1	1	1	1	1	
14	HOSE Connector at Oil Cooler	2	2	2	2	2	
15	CLIP for Oil Cooler Hoses	6	6	6	6	6	
16	PIPE from Oil Cooler to Water Pump – 4 Cylinder	1	1	1	1	1	
17	HOSE Connector (Bent) at Water Pump Adapter	1	1	1	1	1	

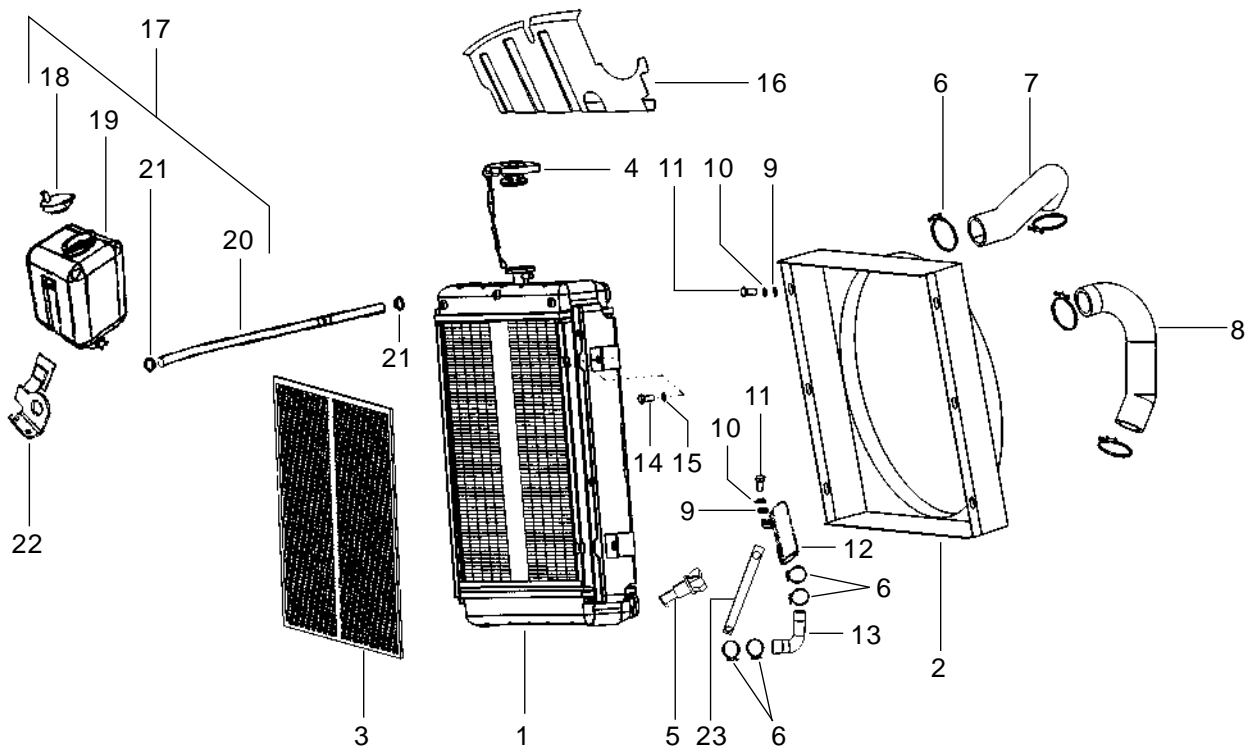
Cooling System



Cooling System

Ref.	Description of Part	Unit Quantity per tractor 4WD					Remarks / Service Bulletin No.
		6030		6530		7030	
		RSMA	RSMN	PSMF	PSMA	PSMX	
1	BOLT Hex. M8 x 50	3	3	3	3	3	
2	FAN Wheel Assembly	1	1	1	1	1	
3	ADAPTER	1	1	1	1	1	
4	BELT Fan	1	1	1	1	1	
5	ASSEMBLY Water Pump Consist of	1	1	1	1	1	
6	▶ PULLEY Fan Drive	1	1	1	1	1	
7	▶ HOUSING Water Pump Bearing	1	1	1	1	1	
8	▶ SPINDLE Water Pump	1	1	1	1	1	
9	▶ SEAL Water Pump	1	1	1	1	1	
10	▶ IMPELLER	1	1	1	1	1	
11	BOLT Hex. M8 x 30	3	3	3	3	3	
12	O' RING	1	1	1	1	1	
13	CLIP For Bypass Tube	2	2	2	2	2	
14	HOSE	1	1	1	1	1	
15	THERMOSTAT Housing	1	1	1	1	1	
16	BOLT Hex. M8 x 65	1	1	1	1	1	
17	BOLT Hex. M8 x 45	2	2	2	2	2	
18	GASKET Thermostat Housing	1	1	1	1	1	
19	SENSOR Water Temp.	1	1	1	1	1	
20	WASHER	1	1	1	1	1	
21	THERMOSTAT Assembly	1	1	1	1	1	
22	THERMOSTAT Gasket	1	1	1	1	1	
23	COVER Thermostat Housing	1	1	1	1	1	
24	BOLT Hex. M6 x 20	3	3	3	3	3	
25	FAN Guard	1	1	1	1	1	
26	PLATE Tensioner	1	1	1	1	1	
27	ALTERNATOR Bracket	1	1	1	1	1	
28	BOLT Hex. M8 x 50	1	1	1	1	1	
29	BOLT Hex. M10 x 35	1	1	1	1	1	
30	BOLT M10 x 16	2	2	2	2	2	
31	BOLT M10 x 25	1	1	1	1	1	

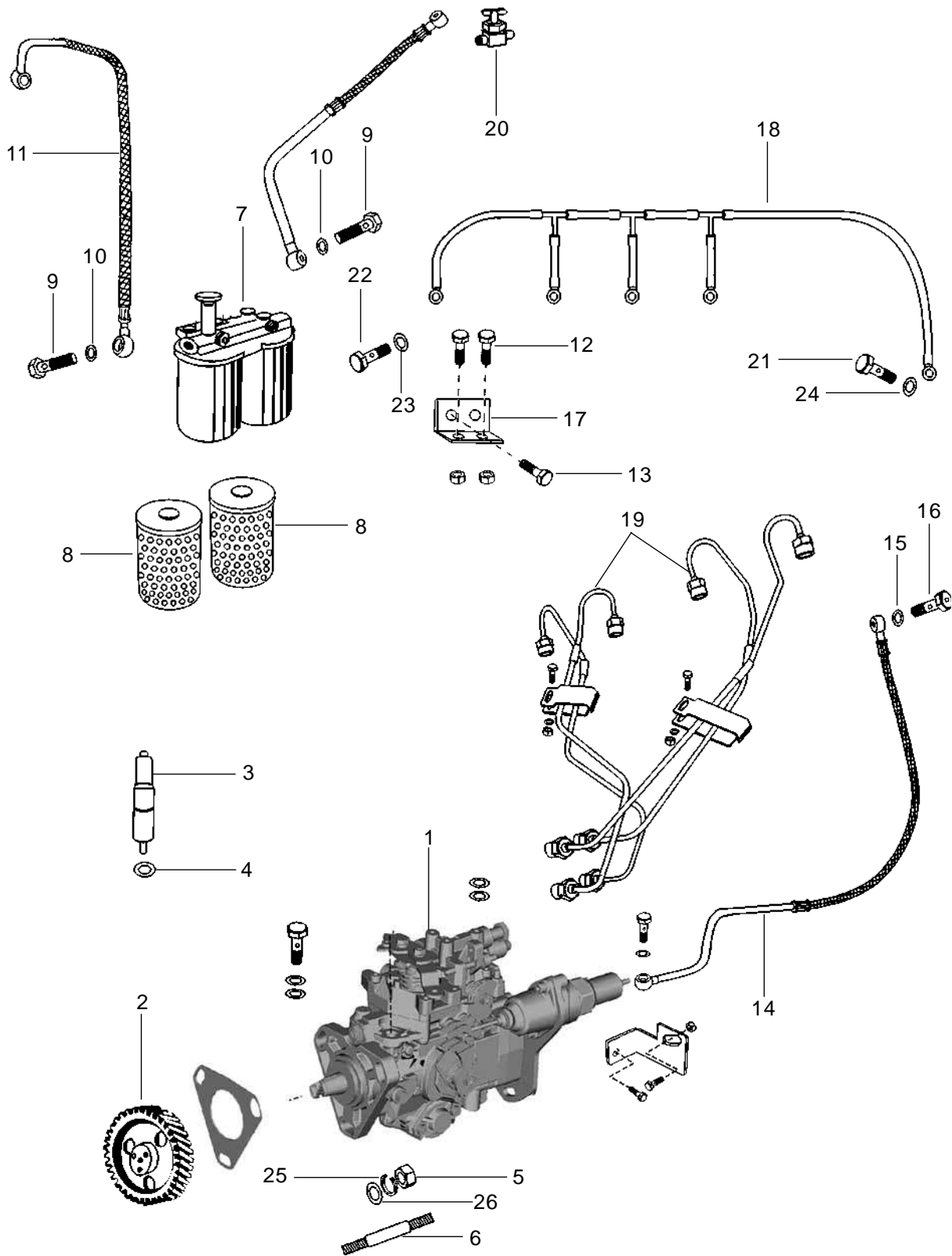
Radiator Assembly



Radiator Assembly

Ref.	Description of Part	Unit Quantity per tractor 4WD					Remarks / Service Bulletin No.
		6030		6530		7030	
		R SMA	R SMN	P SMF	P SMA	P SMX	
A	RADIATOR Assembly With Cowl	1	1	1	1	1	
1	▶ RADIATOR Sub Assey. Alumnum Without Cowl	1	1	1	1	1	
2	▶ RADIATOR Cowl	1	1	1	1	1	
3	▶ ASSEMBLY Trash Guard (Split)	1	1	1	1	1	
4	CAP Radiator	1	1	1	1	1	
5	DRAIN Plug	1	1	1	1	1	
6	CLIP Hose Pipe	8	8	8	8	8	
7	INLET Hose Radiator	1	1	1	1	1	
8	OUTLET Hose Radiator	1	1	1	1	1	
9	WASHER Spring	6	6	6	6	6	
10	WASHER Plain	6	6	6	6	6	
11	BOLT Support Plate	6	6	6	6	6	
12	RADIATOR Outlet Plastic Pipe Of Three Piece Pipe	1	1	1	1	1	
13	RADIATOR Outlet Hose Of Three Piece Pipe	1	1	1	1	1	
14	MTG BOLTS – Front End Assy. & Rad Assy. Side	4	4	4	4	4	
15	WASHER Spring	4	4	4	4	4	
16	PLATE Partition	1	1	1	1	1	
17	RECOVERY Tank Assembly	1	1	1	1	1	
18	▶ CAP Recovery Tank	1	1	1	1	1	
19	▶ RECOVERY Tank	1	1	1	1	1	
20	▶ TUBE Tank Recovery	1	1	1	1	1	
21	▶ CLIP Hose Recovery	1	1	1	1	1	
22	LIFTING EYE (Engine Lifting bracket)	1	1	1	1	1	
23	SUPPORT Bracket Radiator Outlet Three Piece Pipe	1	1	1	1	1	

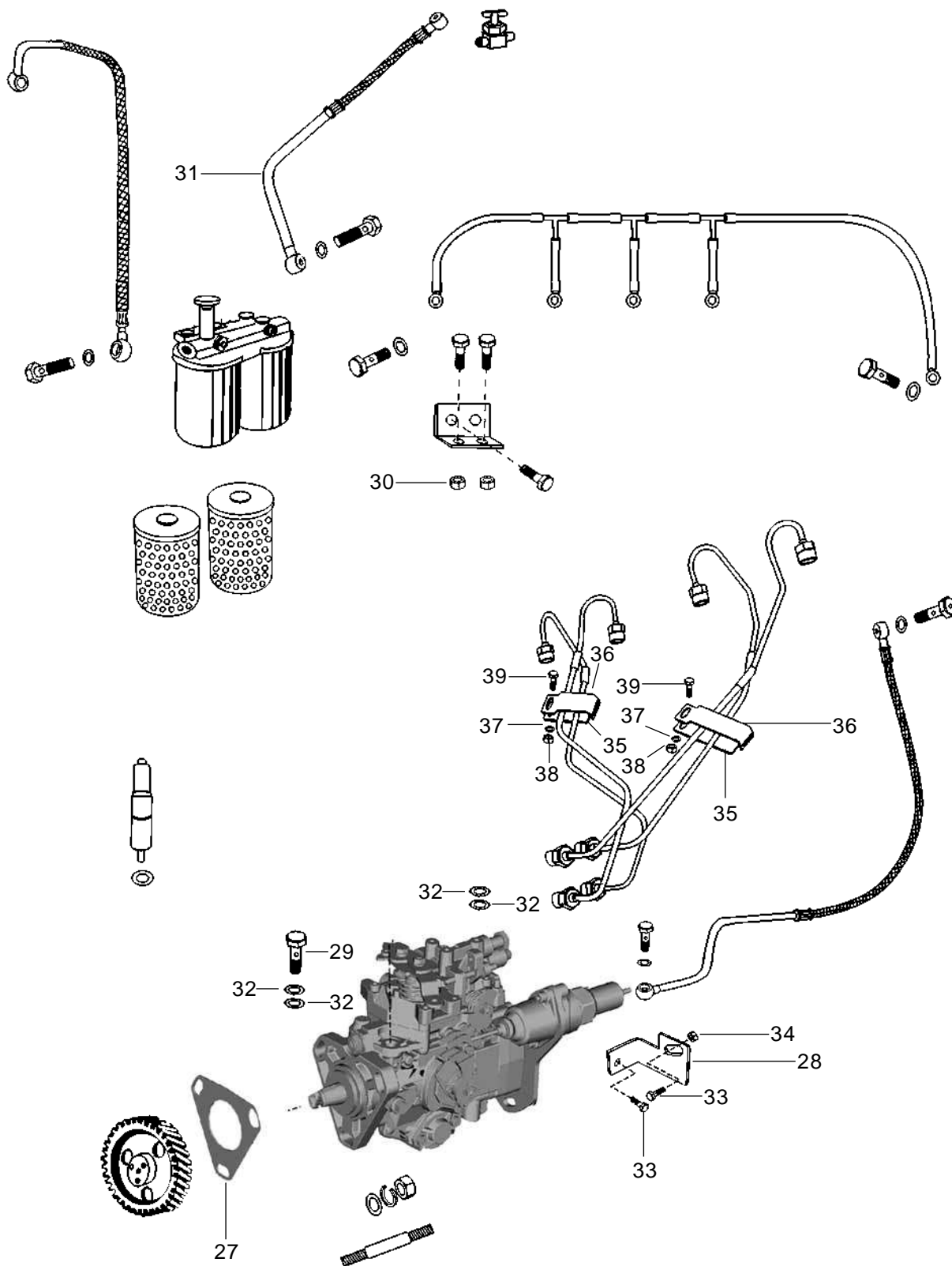
Fuel Injection System



Fuel Injection System

Ref.	Description of Part	Unit Quantity per tractor 4WD					Remarks / Service Bulletin No.
		6030		6530		7030	
		RSMA	RSMN	PSMF	PSMA	PSMX	
1	ROTARY Injection Pump	1	1	–	–	–	
1	ROTARY Injection Pump	–	–	1	1	1	
2	GEAR Injection Pump	1	1	1	1	1	
3	INJECTOR With Copper Washer	4	4	4	4	4	
4	WASHER Injector 4mm	4	4	–	–	–	
4	WASHER Injector 2mm	–	–	4	4	4	
5	FLANGED Nut M8 x 1 for FIP Mounting	3	3	3	3	3	
6	STUD M8 for FIP Mounting	3	3	3	3	3	
7	FILTER Fuel Consists of	1	1	1	1	1	
8	↳ ELEMENT Filter	2	2	2	2	2	
9	BOLT Banjo M14 x 1.5	4	4	4	4	4	
10	WASHER Copper	2	2	2	2	2	
11	PIPE Filter to Pump	1	1	1	1	1	
12	BOLT Flange M12 x 40	2	2	2	2	2	
13	BOLT Flange M10 x 20	2	2	2	2	2	
14	FUEL Return Pipe	1	1	1	1	1	
15	WASHER Copper	2	2	2	2	2	
16	BOLT Banjo M14 x 1.5	1	1	1	1	1	
17	BRACKET Fuel Filter	1	1	1	1	1	
18	PIPE Complete Spill Injector to Tank	1	1	1	1	1	
19	PIPE High Pressure Set for 4 Cylinder	1	1	1	1	1	
20	TAP FUEL	1	1	1	1	1	
21	BOLT Banjo M8 x 1	1	1	1	1	1	
22	BOLT Banjo For Spill Pipe	4	4	4	4	4	
23	WASHER Copper For Pipe	8	8	8	8	8	
24	WASHER Copper M8 x 1	2	2	2	2	2	
25	WASHER Spring Lock for FIP Mounting	3	3	3	3	3	
26	WASHER Plain for Injection Pump Mounting	3	3	3	3	3	

Fuel Injection System



Fuel Injection System

Ref.	Description of Part	Unit Quantity per tractor 4WD					Remarks / Service Bulletin No.
		6030		6530	7030		
		R5MA	R5MN	PSMF	PSMA	PSMX	
27	GASKET Rotary FIP Mounting	1	1	1	1	1	
28	BRACKET Support MICO Rotary FIP	1	1	1	1	1	
29	BOLT Banjo FIP M12	1	1	1	1	1	
30	NUT Hex. M12 x 1.75	2	2	2	2	2	
31	PIPE Tank to Fuel Filter	1	1	1	1	1	
32	WASHER Copper	4	4	4	4	4	
33	BOLT Flanged Hex. Bolt Head M8 x 20	2	2	2	2	2	
34	NUT Flanged M8	1	1	1	1	1	
35	CLAMP Injector Pipe Male	2	2	2	2	2	
36	CLAMP Female	2	2	2	2	2	
37	WASHER Spring Lock	2	2	2	2	2	
38	NUT M6 Hex. Zinc Plated	2	2	2	2	2	
39	BOLT M6 x 1 x 16	2	2	2	2	2	

Package Gasket, O' Rings, Sleeve & Piston Rings, Valves

Package Gasket, O' Rings, Sleeve & Piston Rings,

Ref.	Description of Part	Unit Quantity per tractor 4WD					Remarks / Service Bulletin No.
		6030		6530		7030	
		RSMA	RSMN	PSMF	PSMA	PSMX	
A	PACKAGE Gasket Engine Complete Consist of	1	1	-	-	-	
1	▶ GASKET Valve Housing Cover	1	1	-	-	-	
2	▶ GASKET Exhaust Manifold	4	4	-	-	-	
3	▶ GASKET Stub Pipe	2	2	-	-	-	
4	▶ GASKET Air Intake Manifold	4	4	-	-	-	
5	▶ GASKET Cylinder Head	1	1	-	-	-	
6	▶ GASKET Water Drain Plug	1	1	-	-	-	
7	▶ GASKET Lubrication Oil Filter Bracket	1	1	-	-	-	
8	▶ GASKET Thermostat Housing	1	1	-	-	-	
9	▶ GASKET Thermostat	1	1	-	-	-	
10	▶ GASKET Hydraulic Pump Opening Cover	1	1	-	-	-	
B	PACKAGE Gasket Engine Complete Consist of	-	-	1	1	1	
1	▶ GASKET Valve Housing Cover	-	-	1	1	1	
2	▶ GASKET Exhaust Manifold	-	-	4	4	4	
3	▶ GASKET Stub Pipe	-	-	2	2	2	
4	▶ GASKET Air Intake Manifold	-	-	4	4	4	
4a	▶ GASKET Connecting Pipe	-	-	1	1	1	
5a	▶ GASKET Cylinder Head	-	-	1	1	1	
6	▶ GASKET Water Drain Plug	-	-	1	1	1	
7	▶ GASKET Lubrication Oil Filter Bracket	-	-	1	1	1	
8	▶ GASKET Thermostat Housing	-	-	1	1	1	
9	▶ GASKET Thermostat	-	-	1	1	1	
10	▶ GASKET Hydraulic Pump Opening Cover	-	-	1	1	1	
C	SET of Crankshaft Main Bearing Consist of	1	1	1	1	1	
11	▶ MAIN BEARING Top	5	5	5	5	5	
12	▶ MAIN BEARING Bottom	5	5	5	5	5	
13	▶ THRUST WASHER Without Lug	2	2	2	2	2	
14	▶ THRUST WASHER With Lug	2	2	2	2	2	

Package Gasket, O' Rings, Sleeve & Piston Rings, Valves

Package Gasket, O' Rings, Sleeve & Piston Rings,

Ref.	Description of Part	Unit Quantity per tractor 4WD					Remarks / Service Bulletin No.
		6030		7030			
		RSMA	RSMN	PSMF	PSMA	PSMX	
*	SET OF SLEEVE , Piston, Rings	1	1	–	–	–	
*	SET OF SLEEVE , Piston, Rings	–	–	1	1	1	
*	KIT O' RINGS For Engine Consist of	1	1	1	1	1	
*	▶ O' RING Oil Filler Cap	1	1	1	1	1	
*	▶ O' RING Crankcase Front Cover	1	1	1	1	1	
*	▶ O' RING Dipstick	1	1	1	1	1	
*	▶ O' RING For Cylinder Liners	8	8	8	8	8	
*	▶ O' RING For Suction Strainer	1	1	1	1	1	
*	▶ O' RING For Water Pump Housing	1	1	1	1	1	
*	O' RING Cover Injection Pump	1	1	1	1	1	
*	SET OF VALVE SEATS Consist of	1	1	1	1	1	
*	▶ VALVE SEAT Exhaust	4	4	4	4	4	
*	▶ VALVE SEAT Intake	4	4	4	4	4	
*	SET OF VALVES Consist of	1	1	1	1	1	
*	▶ VALVE Intake	4	4	4	4	4	
*	▶ VALVE Exhaust	4	4	4	4	4	

FRONT AXLE & WEIGHTS

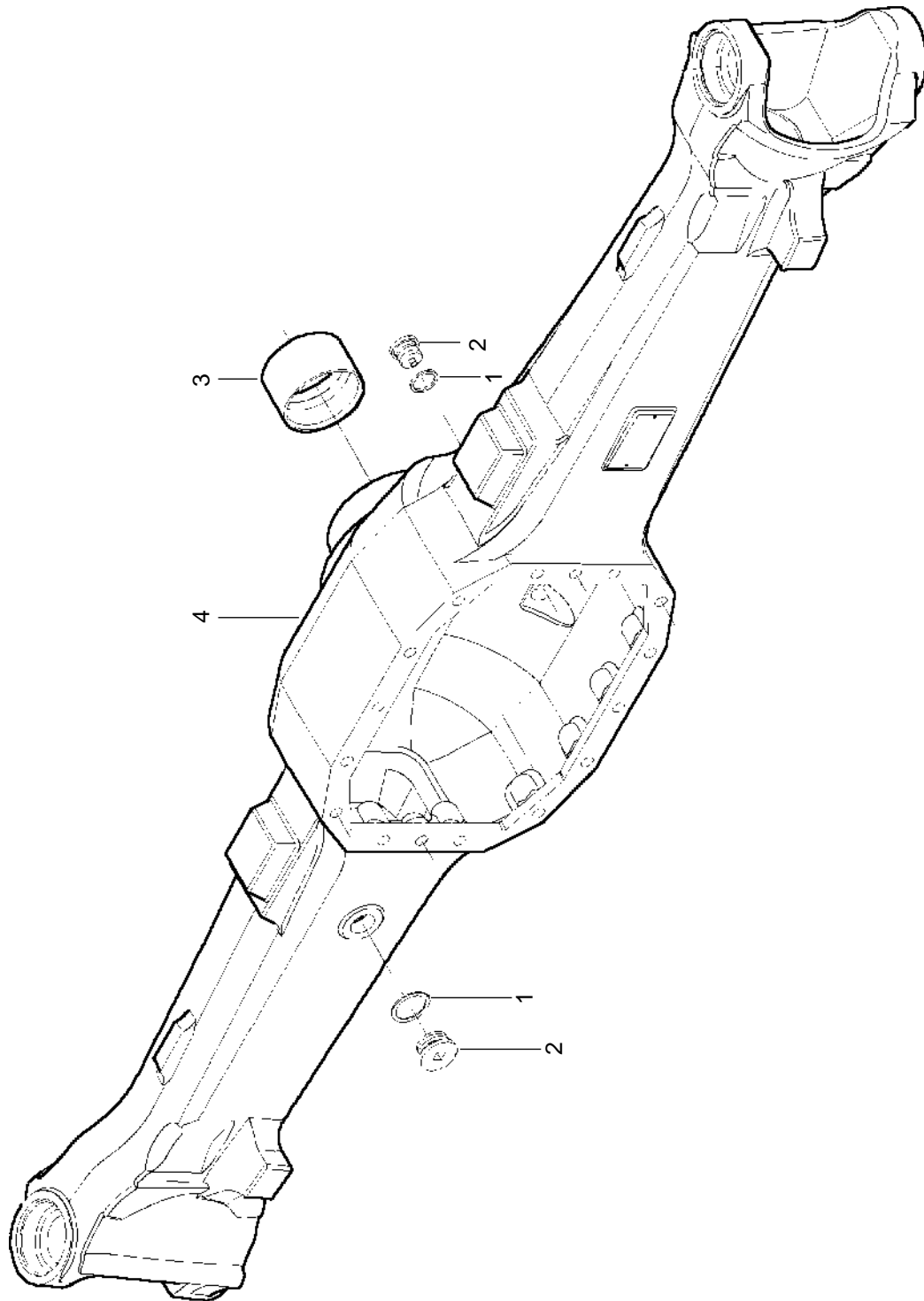
FRONT AXLE

Central Housing	42 - 43
Differential	44 - 47
Hub Reduction	48 - 51
Steering	52 - 53
Trunnion	54 - 55
Front Axle Support and Drive	56 - 57

WEIGHTS

Jerry Can Weight Attachment (Optional Fitment)	58 - 59
--	---------

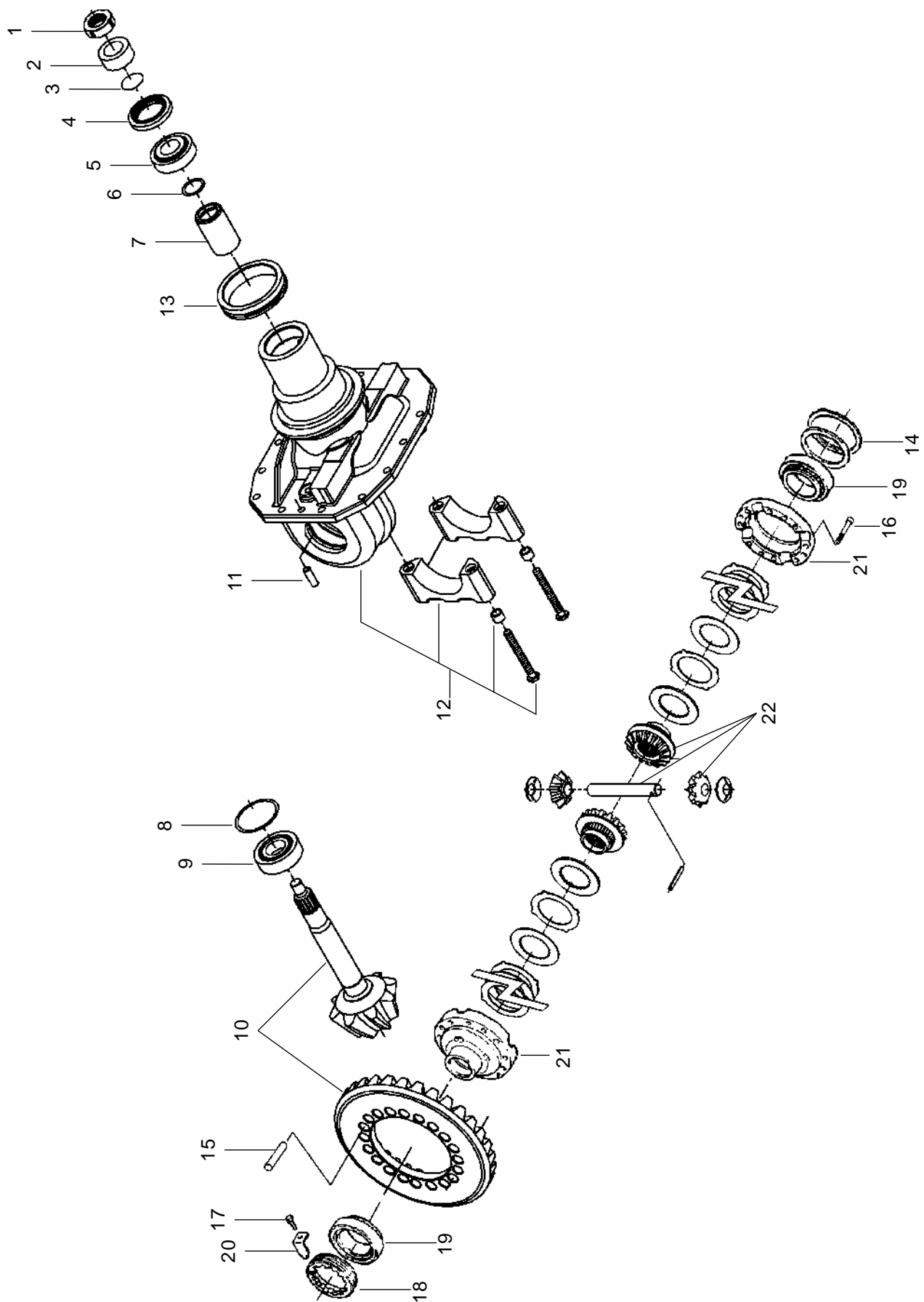
Central Housing



Central Housing

Ref.	Vendor Part No.	Description of Part	Unit Quantity per tractor 4WD					Remarks / Service Bulletin No.
			6030		6530	7030		
			R SMA	R SMN	P SMF	P SMA	P SMX	
1	3427185M1	SEAL Washer	2	2	2	2	2	
2	3429400M1	PLUG	2	2	2	2	2	
3	3428657M3	BUSHING	1	1	1	1	1	
4	3765981M91	STEERING Axle Housing	1	1	1	1	1	
*	—	FRONT Axle Complete	1	1	1	1	1	

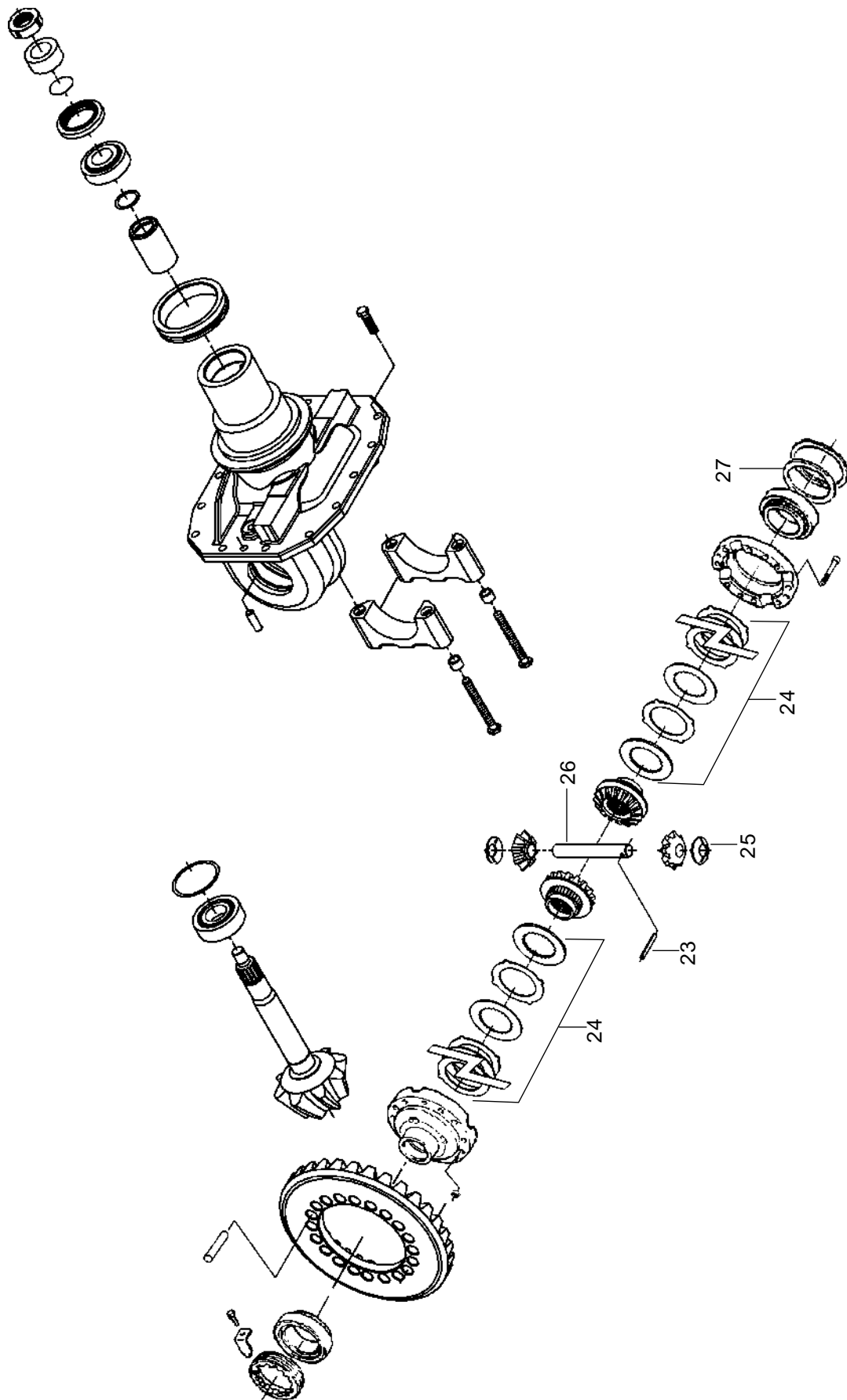
Differential



Differential

Ref.	Vendor Part No.	Description of Part	Unit Quantity per tractor 4WD					Remarks / Service Bulletin No.
			6030		6530		7030	
			RSMA	RSMN	PSMF	PSMA	PSMX	
1	3426023M1	NUT	1	1	1	1	1	
2	3429043M1	SPACER	1	1	1	1	1	
3	366434X1	O' RING	1	1	1	1	1	
4	3428942M1	SEAL	1	1	1	1	1	
5	339394X1	BEARING	1	1	1	1	1	
6	3428289M1	SHIM	1	1	1	1	1	
6	3428290M1	SHIM	1	1	1	1	1	
6	3428291M1	SHIM	1	1	1	1	1	
6	3428292M1	SHIM	1	1	1	1	1	
6	3428293M1	SHIM	1	1	1	1	1	
6	3428294M1	SHIM	1	1	1	1	1	
7	3428900M1	SPACER	1	1	1	1	1	
8	3428923M1	SHIM	1	1	1	1	1	
8	3428924M1	SHIM	1	1	1	1	1	
8	3428925M1	SHIM	1	1	1	1	1	
8	3428926M1	SHIM	1	1	1	1	1	
8	3428927M1	SHIM	1	1	1	1	1	
8	3428928M1	SHIM	1	1	1	1	1	
9	3765690 M1	BEARING	1	1	1	1	1	
10	730.04.516.01	BEVEL Gear Set	1	1	1	1	1	
11	393596X1	DOWEL	2	2	2	2	2	
12	730.04.719.01	SUPPORT	1	1	1	1	1	
13	3764140M2	FLANGE	1	1	1	1	1	
14	3427079M1	SPACER	1	1	1	1	1	
15	3764700M1	DOWEL	2	2	2	2	2	
16	016.03.3134	BOLT	12	12	12	12	12	
17	1444071X1	BOLT	1	1	1	1	1	
18	730.04.051.01	RING Nut	1	1	1	1	1	
19	391339X1	BEARING	2	2	2	2	2	
20	3427466M1	SHEET	1	1	1	1	1	
21	730.04.720.01	DIFFERENTIAL Carrier	1	1	1	1	1	
22	730.04.721.01	GEAR	1	1	1	1	1	

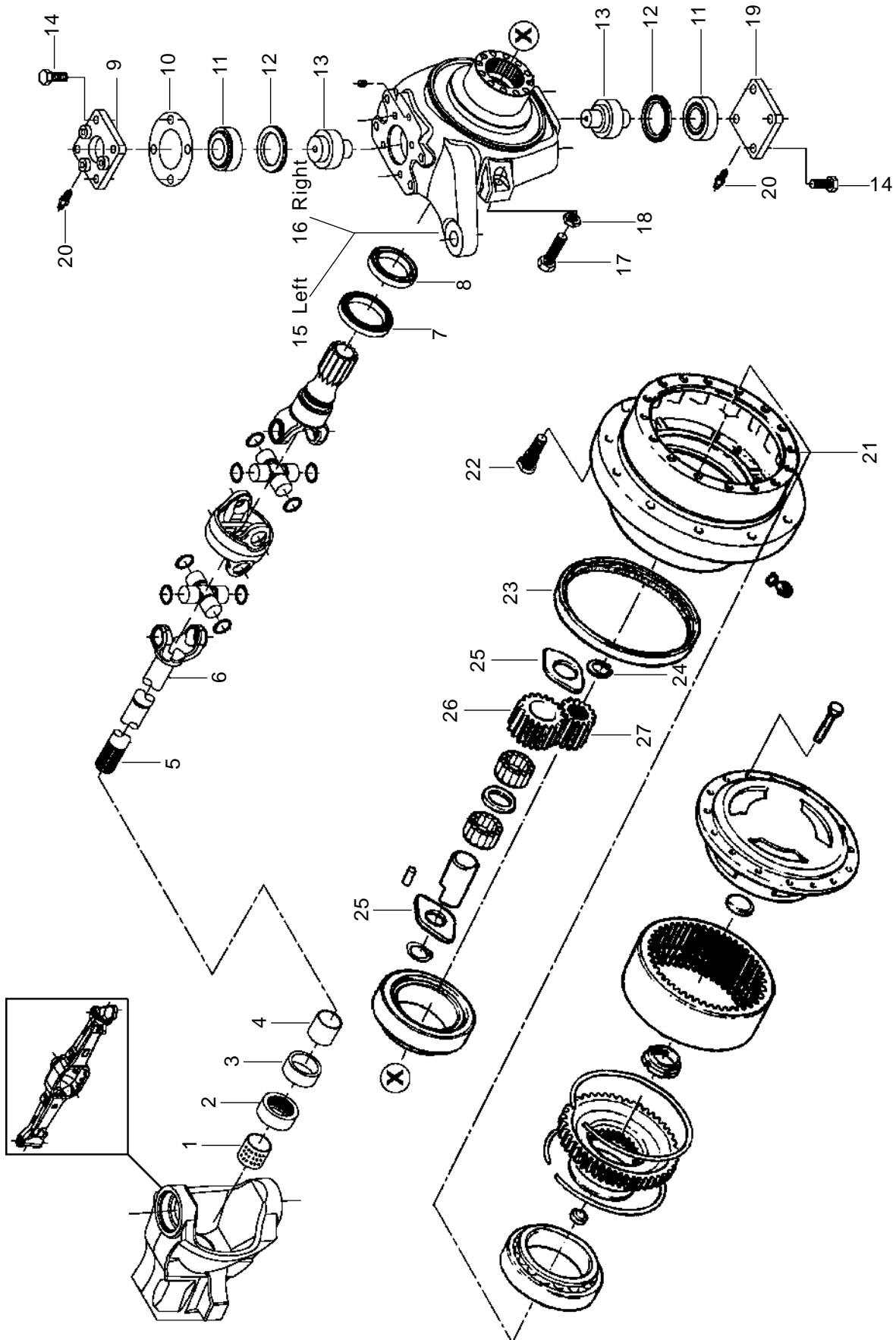
Differential



Differential

Ref.	Vendor Part No.	Description of Part	Unit Quantity per tractor 4WD					Remarks / Service Bulletin No.
			6030		6530		7030	
			R SMA	R SMN	PSMF	PSMA	PSMX	
23	014.03.0743	ROLL Pin	1	1	1	1	1	
24	750.04.602.01	DISC	2	2	2	2	2	
25	750.04.006.01	FRICTION Washer	2	2	2	2	2	
26	730.04.005.01	DIFFERENTIAL Shaft	1	1	1	1	1	
27	3427281M1	SHIM	1	1	1	1	1	
27	3427282M1	SHIM	1	1	1	1	1	
27	3427283M1	SHIM	1	1	1	1	1	
27	3427284M1	SHIM	1	1	1	1	1	
27	3427285M1	SHIM	1	1	1	1	1	
27	3427286M1	SHIM	1	1	1	1	1	

Hub Reduction

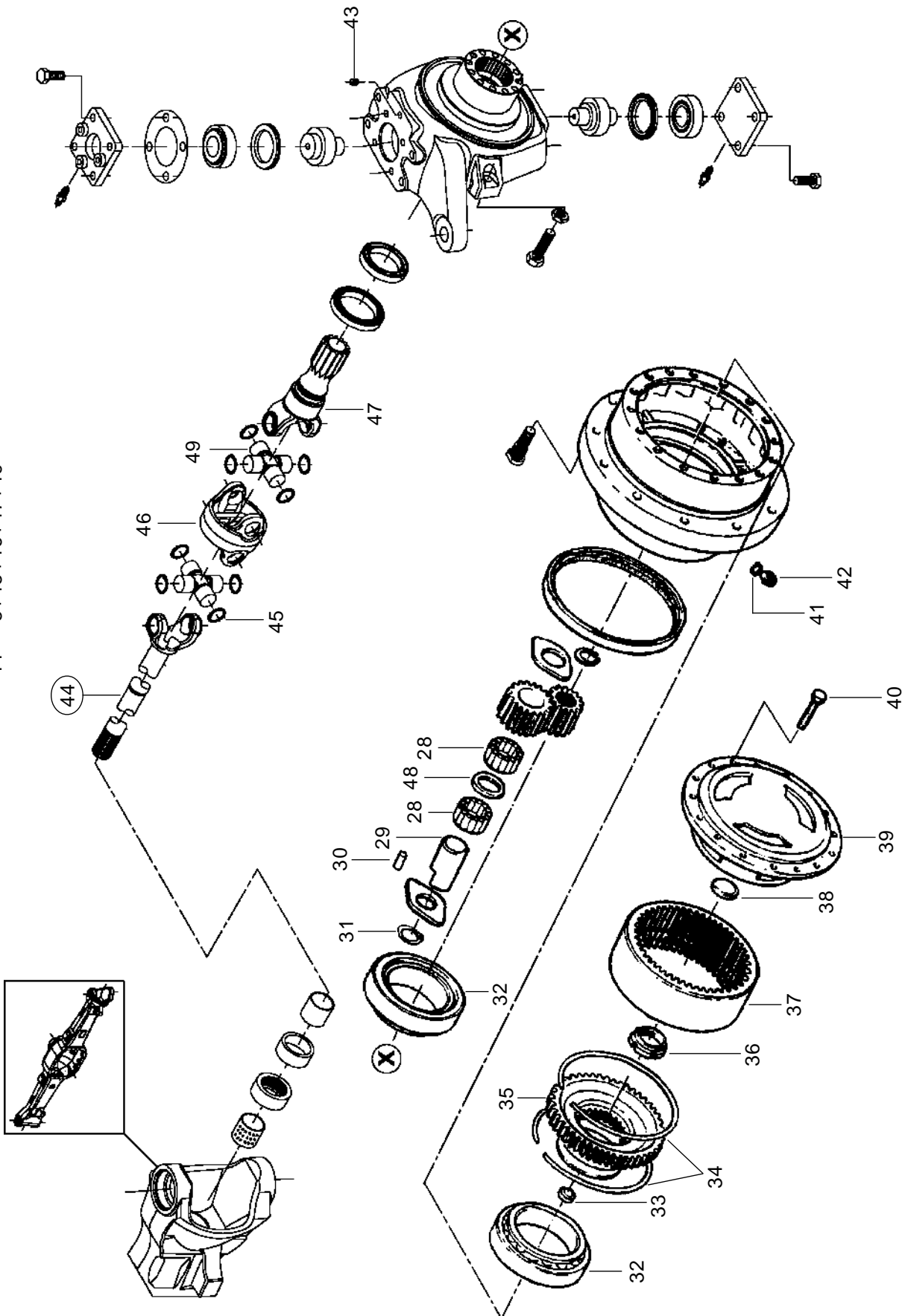


Hub Reduction

Ref.	Vendor Part No.	Description of Part	Unit Quantity per tractor 4WD					Remarks / Service Bulletin No.
			6030		6530		7030	
			RSMA	RSMN	PSMF	PSMA	PSMX	
1	3426938M1	BUSHING	2	2	2	2	2	
2	760.01.005.01	SEAL	2	2	2	2	2	
3	3428090M1	RING	2	2	2	2	2	
4	139355	REDUCTION Bushing	2	2	2	2	2	
5	3765985M1	HALF SHAFT Differential Side	1	1	1	1	1	
6	3765988M1	HALF SHAFT Differential Side	1	1	1	1	1	
7	730.06.049.01	SEAL	2	2	2	2	2	
8	390984X1	BEARING	2	2	2	2	2	
9	3429321M1	COVER	2	2	2	2	2	
10	3426230M1	SHIM	1	1	1	1	1	
10	3426231M1	SHIM	1	1	1	1	1	
10	3426232M1	SHIM	1	1	1	1	1	
10	3426233M1	SHIM	1	1	1	1	1	
10	3426234M1	SHIM	1	1	1	1	1	
11	338511X1	BEARING	4	4	4	4	4	
11	338512X1	BEARING	4	4	4	4	4	
12	3429317M1	SEAL	4	4	4	4	4	
13	3429319M1	PIVOT Pin	4	4	4	4	4	
14	3428397M1	BOLT	16	16	16	16	16	
15	3765754M1	STEERING Case	1	1	1	1	1	
16	3765753M1	STEERING Case	1	1	1	1	1	
17	3428648M1	BOLT	2	2	2	2	2	
18	3764827M1	NUT	2	2	2	2	2	
19	3429323M1	COVER	2	2	2	2	2	
20	339003X1	GREASE Fitting	4	4	4	4	4	
21	3766340M1	WHEEL Hub	2	2	2	2	2	
22	3428238M3	WHEEL Stud	16	16	16	16	16	
23	730.06.050.01	SEAL	2	2	2	2	2	
24	002.01.0068	CIRCLIP	2	2	2	2	2	
25	3429350M1	FRICTION Washer	12	12	12	12	12	
26	3429984M1	PLANET Gear	6	6	6	6	6	
27	3429983M1	PINION	2	2	2	2	2	

Hub Reduction

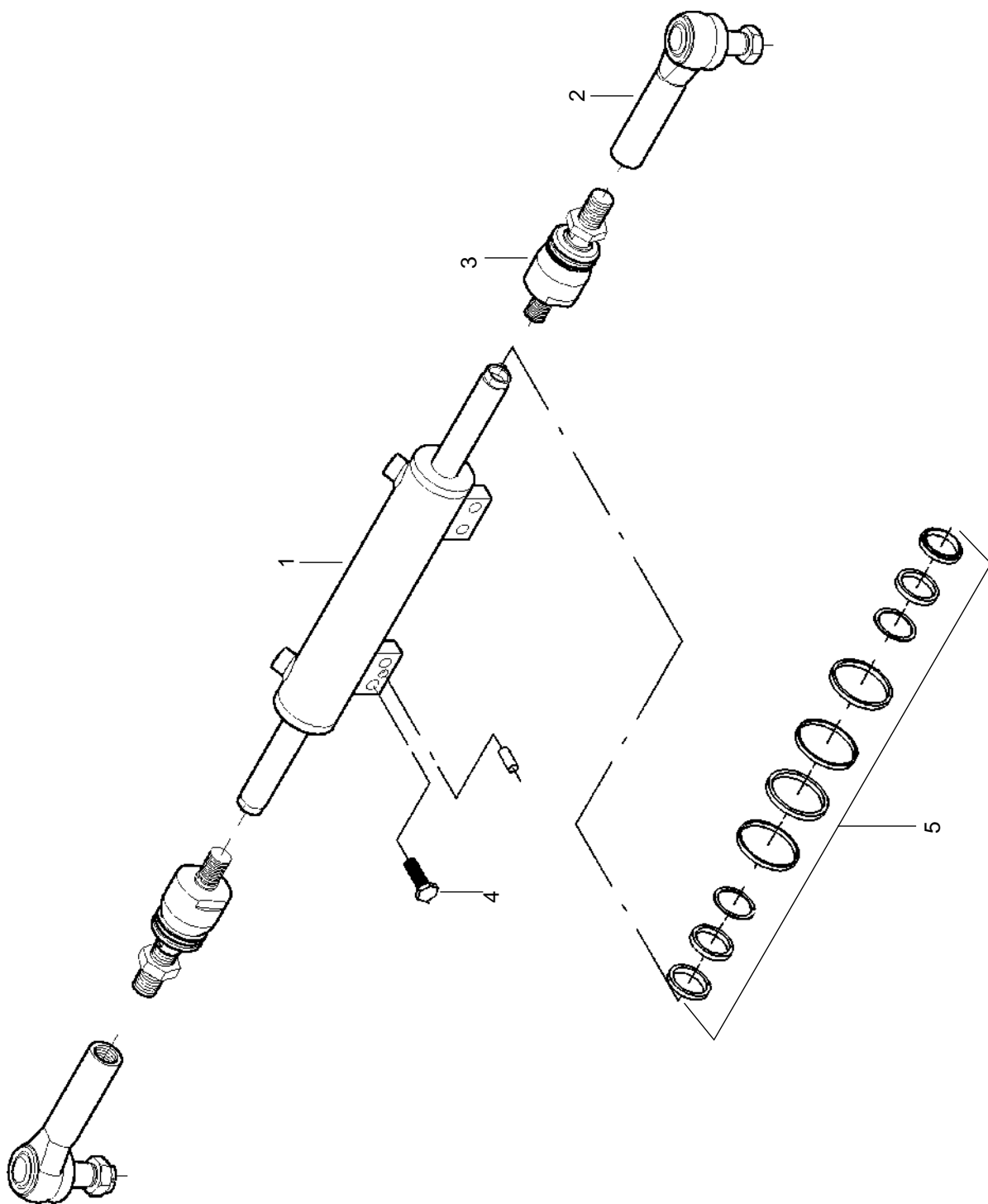
44 = 5+45+46+47+49



Hub Reduction

Ref.	Vendor Part No.	Description of Part	Unit Quantity per tractor 4WD					Remarks / Service Bulletin No.
			6030		6530		7030	
			RSMA	RSMN	PSMF	PSMA	PSMX	
28	3426852M3	ROLLER	2	2	2	2	2	
29	3765178M1	PIN	6	6	6	6	6	
30	3764823M1	ROLLER	6	6	6	6	6	
31	3765179M2	CIRCLIP	6	6	6	6	6	
32	3426850M2	BEARING	4	4	4	4	4	
33	3428535M1	FRICTION Washer	2	2	2	2	2	
34	3428523M1	CIRCLIP	4	4	4	4	4	
35	730.06.048.01	RING Gear Support	2	2	2	2	2	
36	3429497M1	RING Nut	2	2	2	2	2	
37	3764515M1	RING Gear	2	2	2	2	2	
38	3426771M1	FRICTION Washer	2	2	2	2	2	
39	3766339M1	PLANET Gear Carrier	2	2	2	2	2	
40	1440965X1	CYLINDER Bolt	32	32	32	32	32	
41	3427185M1	SEAL Washer	2	2	2	2	2	
42	3429400M1	PLUG	2	2	2	2	2	
43	1442560X1	PLUG	2	2	2	2	2	
44	730.06.637.01	JOINT	2	2	2	2	2	
45	3429449X1	CIRCLIP	8	8	8	8	8	
46	3429435M1	JOINT Centre Section	1	1	1	1	1	
46	3765114M1	JOINT Centre Section	1	1	1	1	1	
47	3765990M1	HALF SHAFT	1	1	1	1	1	
47	3765993M1	HALF SHAFT	1	1	1	1	1	
48	730.06.047.01	SPACER	6	6	6	6	6	
49	3429436M1	JOINT Cross	2	2	2	2	2	
49	3765113M1	JOINT Cross	2	2	2	2	2	

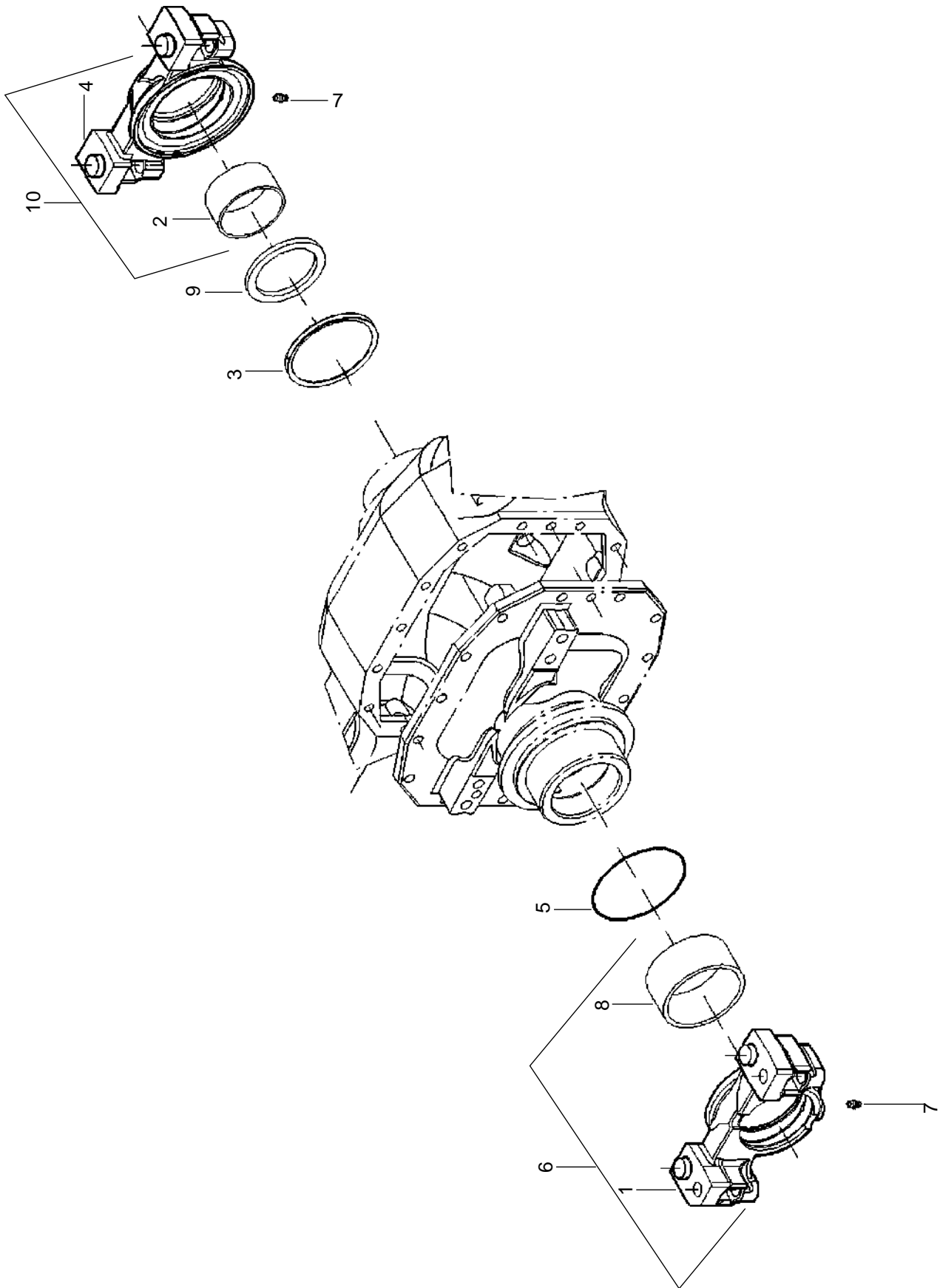
Steering



Steering

Ref.	Vendor Part No.	Description of Part	Unit Quantity per tractor 4WD					Remarks / Service Bulletin No.
			6030		6530	7030		
			R SMA	R SMN	PSMF	PSMA	PSMX	
1	730.24.642.01	CYLINDER	1	1	1	1	1	
2	730.24.644.01	TRACTION Rod	2	2	2	2	2	
3	730.24.643.01	ARTICULATION	2	2	2	2	2	
4	3764202M1	BOLT	4	4	4	4	4	
5	730.24.450.25	SEALS Kit	1	1	1	1	1	

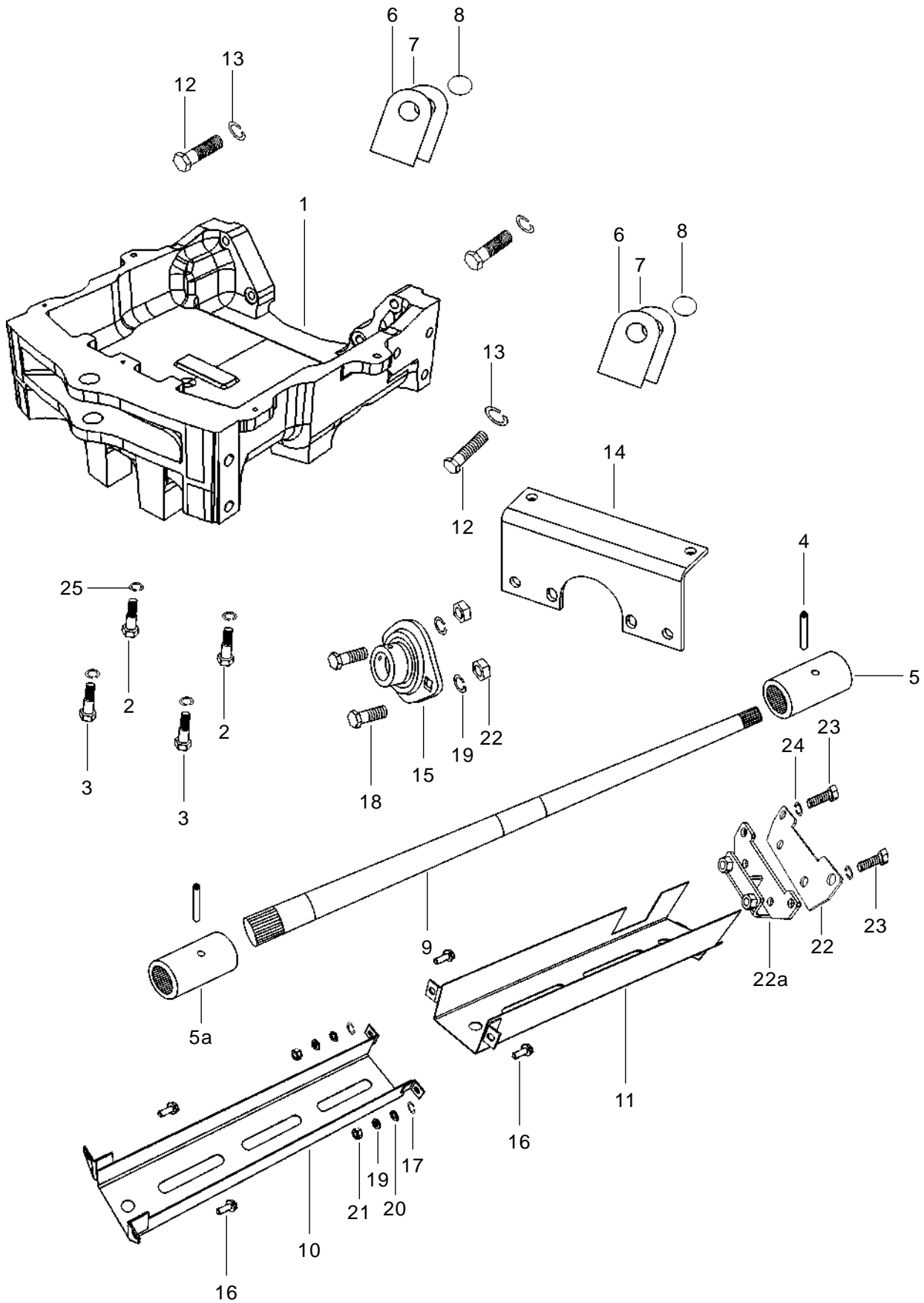
Trunnion



Trunion

Ref.	Vendor Part No.	Description of Part	Unit Quantity per tractor 4WD					Remarks / Service Bulletin No.
			6030		6530		7030	
			RSMA	RSMN	PSMF	PSMA	PSMX	
1	730.25.012.01	SUPPORT	1	1	1	1	1	
2	730.25.013.01	THRUST Bushing	1	1	1	1	1	
3	001.11.3813	RING	1	1	1	1	1	
4	730.25.011.01	SUPPORT	1	1	1	1	1	
5	001.05.3974	O' RING	1	1	1	1	1	
6	730.25.620.01	SUPPORT	1	1	1	1	1	
7	008.01.0213	GREASE Fitting	1	1	1	1	1	
8	730.25.014.01	THRUST Bushing	1	1	1	1	1	
9	730.25.017.01	RING	1	1	1	1	1	
10	730.25.619.01	SUPPORT	1	1	1	1	1	

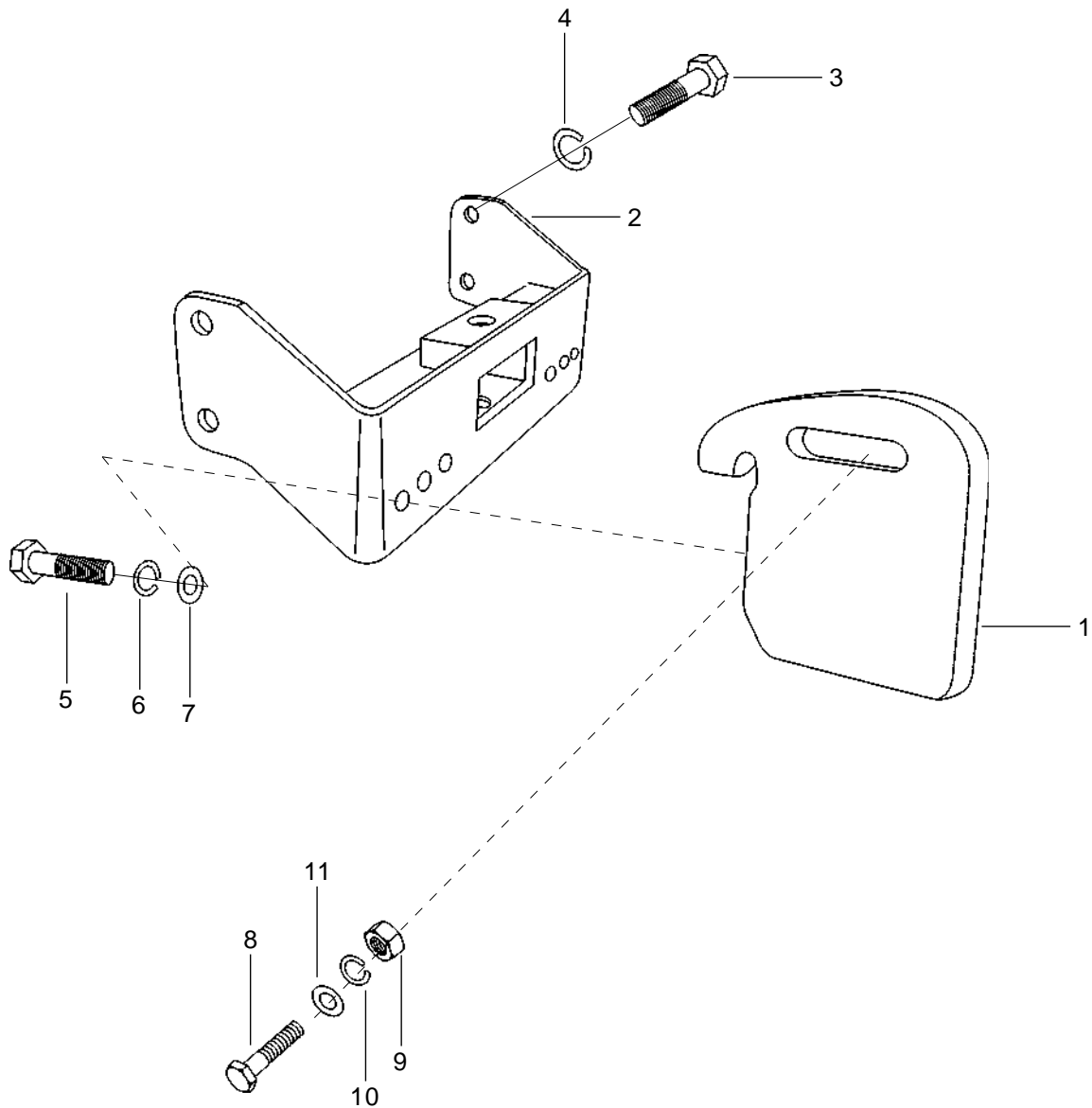
Front Axle Support and Drive



Front Axle Support and Drive

Ref.	Description of Part	Unit Quantity per tractor 4WD					Remarks / Service Bulletin No.
		6030		6530		7030	
		RSMA	RSMN	PSMF	PSMA	PSMX	
1	SUPPORT Front Axle 4WD	1	1	1	1	1	
2	BOLT Rear Pillow Block 4WD	2	2	2	2	2	
3	BOLT Front Pillow Block	2	2	2	2	2	
4	ROLL Pin	2	2	2	2	2	
5	SLEEVE Axle End 76 mm (4 WD)	1	1	1	1	1	
5a	SLEEVE Drop Box End	1	1	1	1	1	
6	SHIM Front Axle Support - 0.5	2	2	2	2	2	
7	SHIM Front Axle Support - 0.2	2	2	2	2	2	
8	SHIM Front Axle Support - 0.1	2	2	2	2	2	
9	SHAFT Propeller Dana Axle	1	1	-	-	-	
9	SHAFT Propeller Dana Axle	-	-	1	1	1	
10	COVER Input Shaft Front Axle - Front	1	1	1	1	1	
11	COVER Input Shaft Front Axle - Rear	1	1	1	1	1	
12	BOLT M16 x 85	6	6	6	6	6	
13	WASHER Spring Lock	6	6	6	6	6	
14	BRACKET Intermediate Brg. Support	1	1	1	1	1	
15	BEARING Intermediate Support	1	1	1	1	1	
16	BOLT Flange Hex. Head M10 x 1.5 - 25 Long	4	4	4	4	4	
17	WASHER M10 Spring Lock	4	4	4	4	4	
18	BOLT M10 x 1.5 - 25 Long	2	2	2	2	2	
19	WASHER Spring M10	2	2	2	2	2	
20	WASHER Plain M10	4	4	4	4	4	
21	NUT M10 x 1.5	2	2	2	2	2	
22	BRACKET for Rear Guard Mounting	1	1	-	-	-	
22a	BRACKET for Rear Guard Mounting	-	-	1	1	1	
23	BOLT M8 x 1.25 - 20 Long	2	2	2	2	2	
24	WASHER M8 Spring Lock	2	2	2	2	2	
25	WASHER Spring Lock	4	4	4	4	4	

Jerrycan Weight Attachment



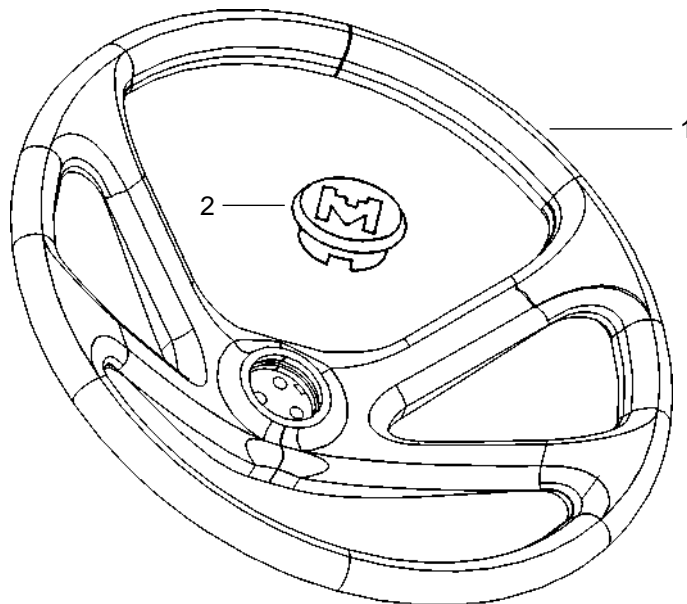
Jerrycan Weight Attachment

Ref.	Description of Part	Unit Quantity per tractor 4WD					Remarks / Service Bulletin No.
		6030		6530	7030		
		RSMA	RSMN	PSMF	PSMA	PSMX	
*	KIT of Jerrycan Weight	1	–	–	1	–	
1	▶ WEIGHT for Jerrycan	–	6	6	–	6	
2	▶ BRACKET Weight Mounting	–	1	1	–	1	
3	▶ BOLT G 19.05 mm x 57.15 mm ZP	–	4	4	–	4	
4	▶ WASHER G 19.05 mm Spring Lock ZP	–	4	4	–	4	
5	▶ BOLT G 19.05 mm x 44.45 mm ZP	–	6	6	–	6	
6	▶ WASHER G 15.875 mm Spring Lock ZP	–	6	6	–	6	
7	▶ WASHER	–	6	6	–	6	
8	▶ BOLT G 12.7 mm x 152.4 mm ZP	–	2	2	–	2	
9	▶ NUT	–	2	2	–	2	
10	▶ WASHER Spring Lock	–	2	2	–	2	
11	▶ WASHER Plain	–	4	4	–	4	

STEERING & LINKAGES

Steering Wheel, Knuckles, Arms (Power Steering)	60 - 61
Power Steering Pipes & Fittings	62 - 63

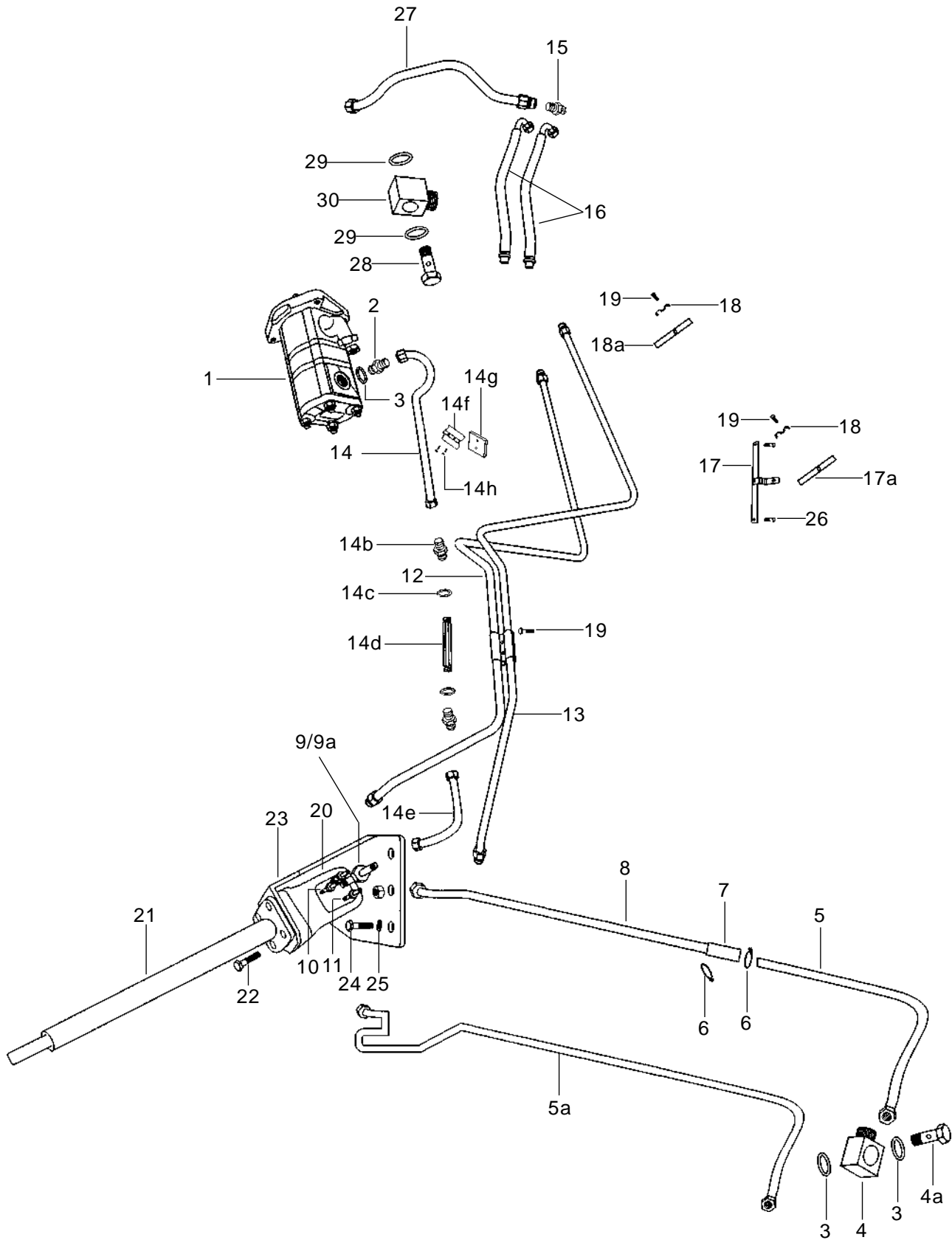
Steering Wheel, Knuckles, Arms (Power Steering)



Steering Wheel, Knuckles, Arms (Power Steering)

	Ref.	Description of Part	Unit Quantity per tractor 4WD					Remarks / Service Bulletin No.
			6030		6530		7030	
			RSMA	RSMN	PSMF	PSMA	PSMX	
01	1	WHEEL Steering	1	1	1	1	1	
	2	STEERING WHEEL Cap	1	1	1	1	1	

Power Steering Pipes & Fittings



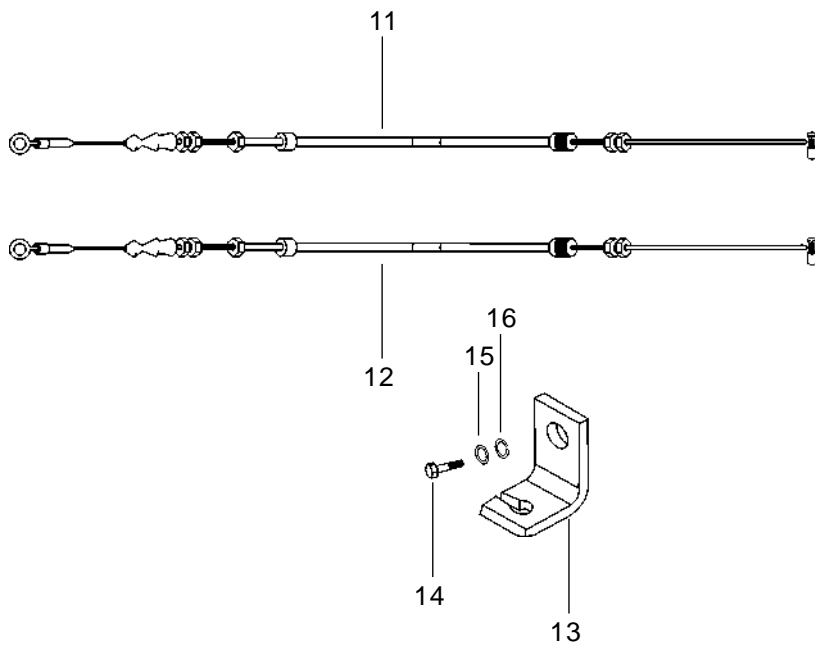
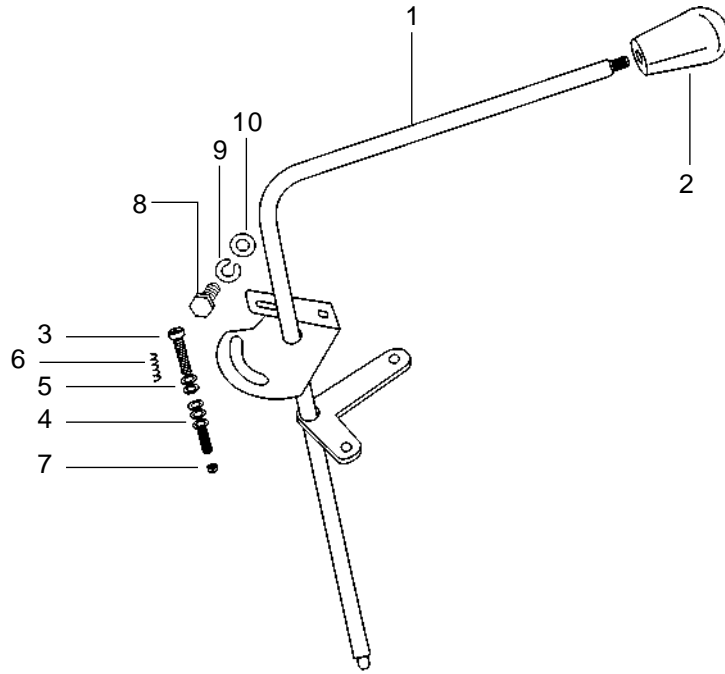
Power Steering Pipes & Fittings

Ref.	Description of Part	Unit Quantity per tractor 4WD					Remarks / Service Bulletin No.
		6030		6530		7030	
		RSMA	RSMN	PSMF	PSMA	PSMX	
*	KIT - Pipe Pressure Pump to HSU with Connector	1	1	1	1	1	
1	PUMP Hydraulic Assembly 18+8 with Common Suction Manifold	1	1	1	1	1	
2	CONNECTOR 1/2" BSP x M20	1	1	1	1	1	
3	WASHER Dowty	3	3	3	3	3	
4	BANJO Body	1	1	-	-	-	
4	BANJO Body	-	-	1	1	1	
4a	BOLT Banjo (1/2" BSP)	1	1	1	1	1	
5	PIPE Trans. to Union Return Line	1	1	-	-	-	
5a	PIPE HSU to Transcase	-	-	1	1	1	
6	CLIP Hose	2	2	-	-	-	
7	HOSE Return Line 18 ID	1	1	-	-	-	
8	PIPE HSU to Union Return Line	1	1	-	-	-	
9	ADAPTER (T Port of HSU)	1	1	-	-	-	
9a	ADAPTER (T Port of HSU)	-	-	1	1	1	
10	ADAPTER (L, R Port of HSU)	2	2	2	2	2	
11	ADAPTER (P Port of HSU)	1	1	1	1	1	
12	PIPE HSU to Dana Axle RH	1	1	1	1	1	
13	PIPE HSU to Dana Axle LH	1	1	1	1	1	
14	PIPE Pump to Check Valve	1	1	-	-	-	
14	PIPE Pump to Check Valve	-	-	1	1	1	
14b	MALE Stud Coupling	2	2	2	2	2	
14c	DOWTY Washer	2	2	2	2	2	
14d	CHECK Valve	1	1	1	1	1	
14e	PIPE Check Valve to HSU	1	1	1	1	1	
14f	PIPE Clamps	1	1	1	1	1	
14g	CLAMP Plate	1	1	1	1	1	
14h	BOLT Flanged Hexagonal Head M6 x 16	1	1	1	1	1	
15	STRAIGHT Coupling 12mm OD - H3	1	1	1	1	1	
16	FLEXIBLE HOSE (L&R) Port	2	2	2	2	2	
17	BRACKET L&R Pipe Mounting	1	1	1	1	1	
17a	RUBBER Packing for Bracket	1	1	1	1	1	
18	CLAMP Top Plate	1	1	1	1	1	
18a	CLAMP Base Plate	1	1	1	1	1	
19	CLAMP Screw (M5 x 20)	1	1	1	1	1	
20	HSU Unit (Series 5)	1	1	1	1	1	
21	COLUMN Steering	1	1	1	1	1	
22	BOLT HSU Mounting Hex. Head M10 x 35	3	3	3	3	3	
23	BRACKET HSU Mounting	1	1	1	1	1	
24	BOLT 7/16" UNC	4	4	4	4	4	
25	WASHER 7/16" UNC	4	4	4	4	4	
26	BOLT M10 x 1.5 x 16	2	2	2	2	2	
27	PIPE Flexible to Cylinder LH Port	1	1	1	1	1	
28	BANJO Bolt M14	2	2	2	2	2	
29	COPPER Washer M14	4	4	4	4	4	
30	BANJO Body for M14 Banjo Bolt	2	2	2	2	2	

THROTTLE LINKAGES

Hand Throttle Linkages	64 - 65
Foot Throttle Linkages.....	66 - 67

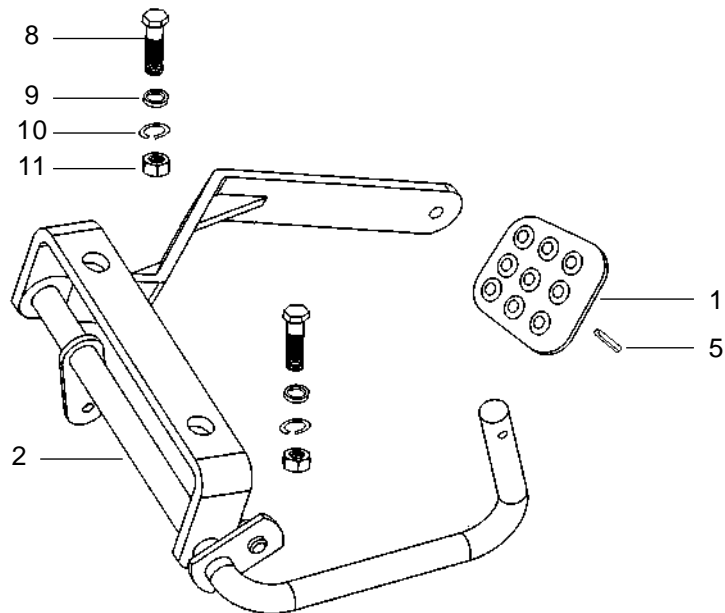
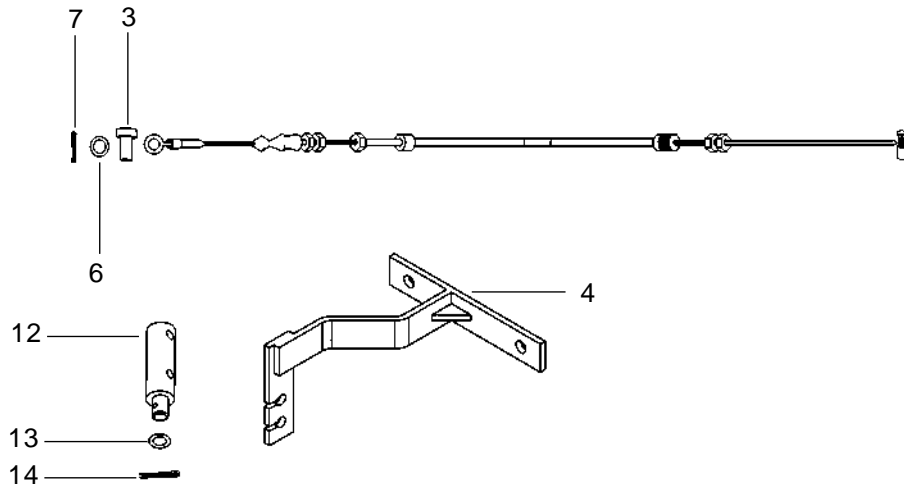
Hand Throttle Linkages



Hand Throttle Linkages

Ref.	Description of Part	Unit Quantity per tractor 4WD					Remarks / Service Bulletin No.
		6030		6530		7030	
		RSMA	RSMN	PSMF	PSMA	PSMX	
1	GOVERNOR Control Complete - 4WD	1	1	1	1	1	
2	KNOB Hand Accelerator	1	1	1	1	1	
3	SCREW 1/4" UNC x 1-3/4"	1	1	1	1	1	
4	WASHER Governor Control	4	4	4	4	4	
5	WASHER Governor Control Friction	2	2	2	2	2	
6	SPRING Governor Control	1	1	1	1	1	
7	NUT 1/4" UNC	1	1	1	1	1	
8	BOLT Hex. Head 1/4"	2	2	2	2	2	
9	WASHER Spring	2	2	2	2	2	
10	WASHER Plain	1	1	1	1	1	
11	CABLE Hand Accelerator	1	1	1	1	1	
12	CABLE Foot Accelerator	1	1	1	1	1	
13	BRACKET Foot Accelerator Cable	1	1	1	1	1	
14	BOLT Hex. Head	1	1	1	1	1	
15	WASHER Plain	1	1	1	1	1	
16	WASHER Spring Lock	1	1	1	1	1	

Foot Throttle Linkages



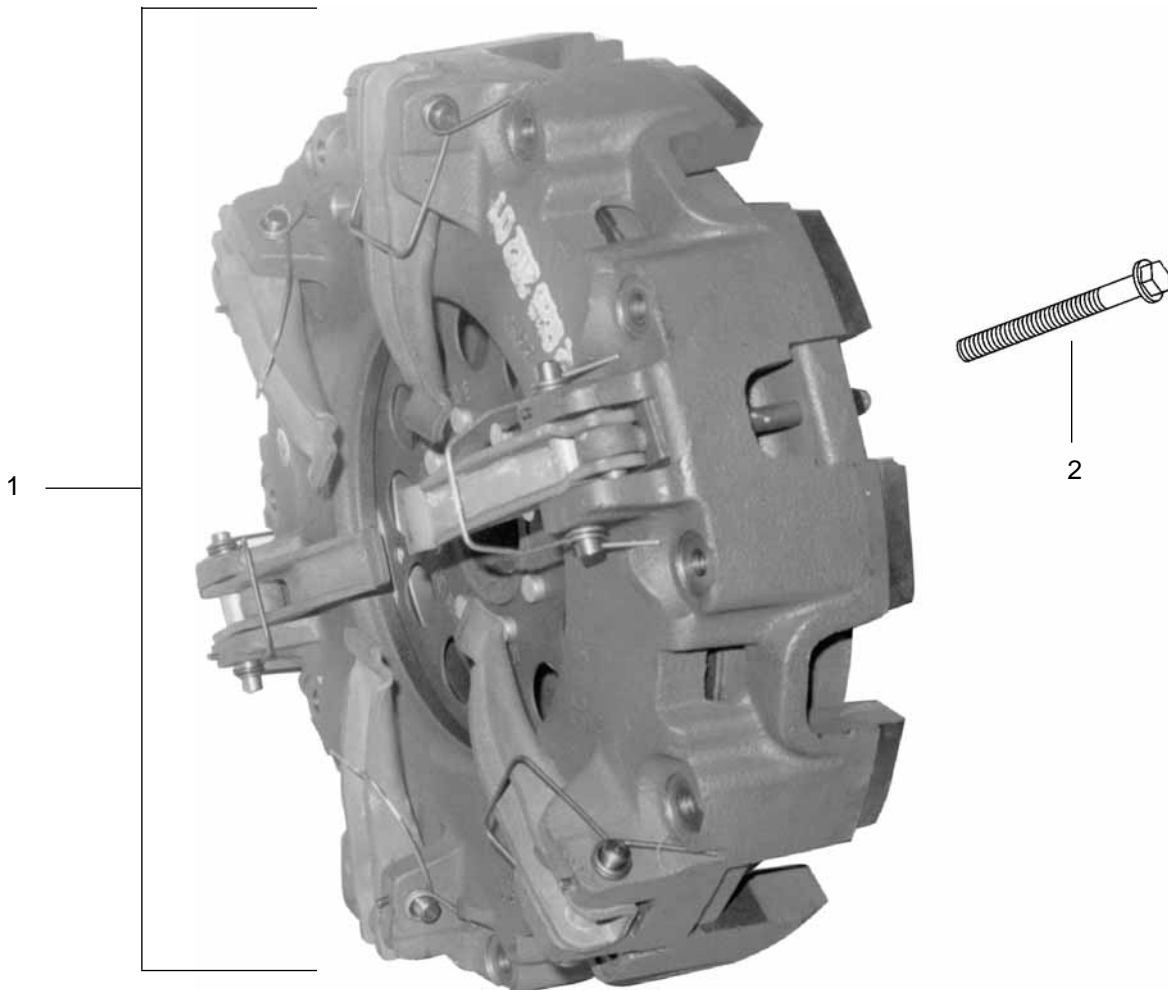
Foot Throttle Linkages

Ref.	Description of Part	Unit Quantity per tractor 4WD					Remarks / Service Bulletin No.
		6030		6530		7030	
		RSMA	RSMN	PSMF	PSMA	PSMX	
1	FOOT Rest Foot Accelerator	1	1	1	1	1	
2	BRACKET Foot Accelerator Mounting Complete	1	1	1	1	1	
3	PIN Cable Mounting	2	2	2	2	2	
4	BRACKET Accelerator Cable Mounting	1	1	1	1	1	
5	PIN Slotted	1	1	1	1	1	
6	WASHER	2	2	2	2	2	
7	PIN Cotter	2	2	2	2	2	
8	BOLT M8 x 1.25 x 25	2	2	2	2	2	
9	WASHER Plain	2	2	2	2	2	
10	WASHER Spring M8	2	2	2	2	2	
11	NUT M8 x 1.25	2	2	2	2	2	
12	PIVOT Accelerator Cable	1	1	1	1	1	
13	WASHER Plain	1	1	1	1	1	
14	PIN Cotter 1/16" x 1/2"	1	1	1	1	1	

CLUTCH

Dual Clutch Assembly	68 - 69
Clutch Housing and Connections	70 - 73

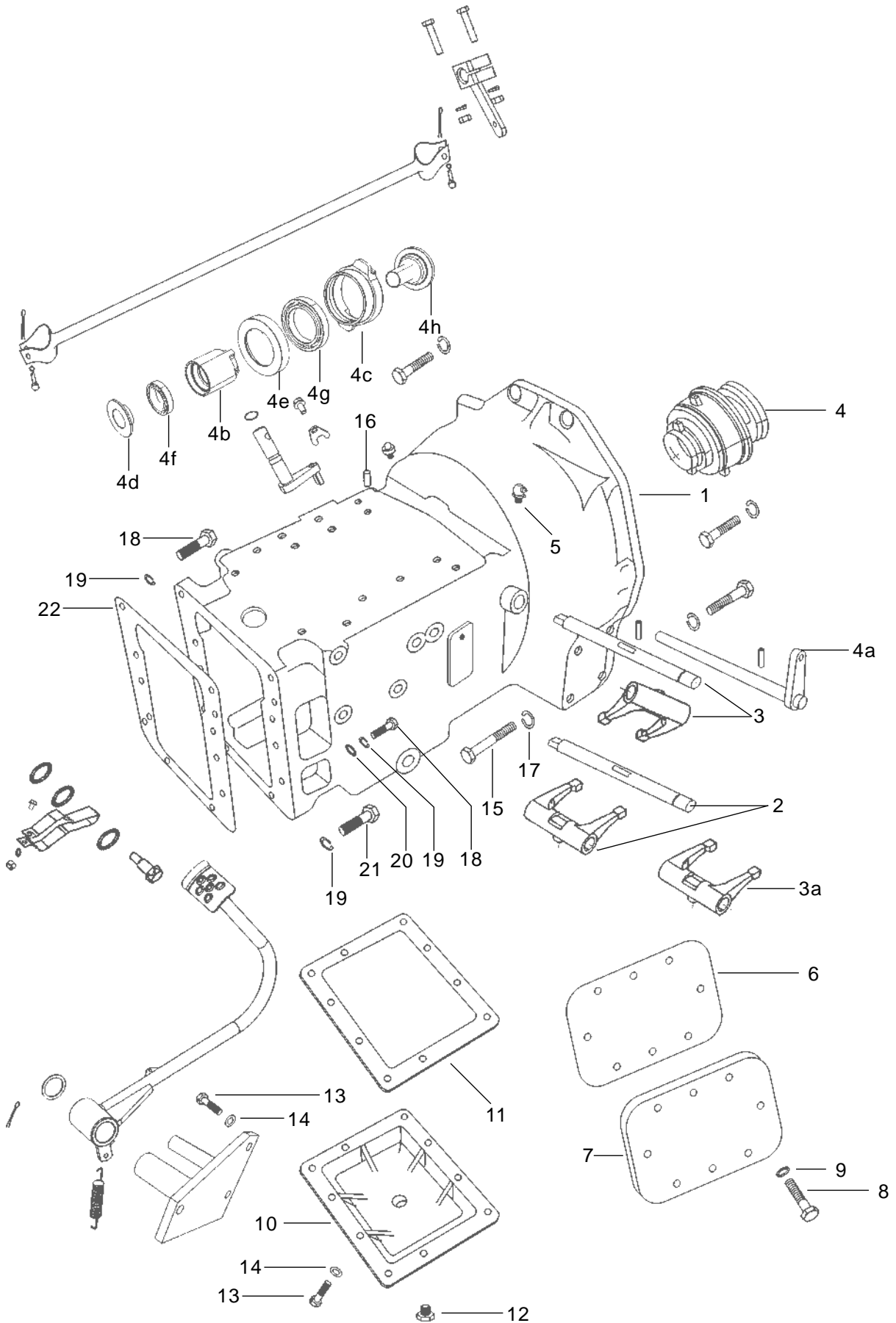
Dual Clutch Assembly



Dual Clutch Assembly

Ref.	Description of Part	Unit Quantity per tractor 4WD					Remarks / Service Bulletin No.
		6030		6530		7030	
		RSM A	RSM N	PSMF	PSMA	PSMX	
1	CLUTCH Cover Assembly Rane (11" x 11")	1	1	-	-	-	
1	CLUTCH Cover Assembly Luk	-	-	1	1	1	
1	11" DRIVEN Assembly Main	1	1	-	-	-	
1	MAIN DRIVEN Plate	-	-	1	1	1	
*	PTO Driven Plate with Ceramic Pads	1	1	-	-	-	
*	PRESSURE Plate for PTO Clutch	1	1	-	-	-	
*	PRESSURE Plate for Main Clutch	1	1	-	-	-	
*	DIAPHRAGM Spring	1	1	-	-	-	
*	FULCRUM Ring	1	1	-	-	-	
*	COVER Housing	1	1	-	-	-	
*	KIT - Clutch Repair PTO	1	1	-	-	-	
*	KIT - Clutch Repair Main	1	1	-	-	-	
2	BOLT Clutch Mounting	12	12	-	-	-	
2	BOLT Clutch Mounting	-	-	6	6	6	

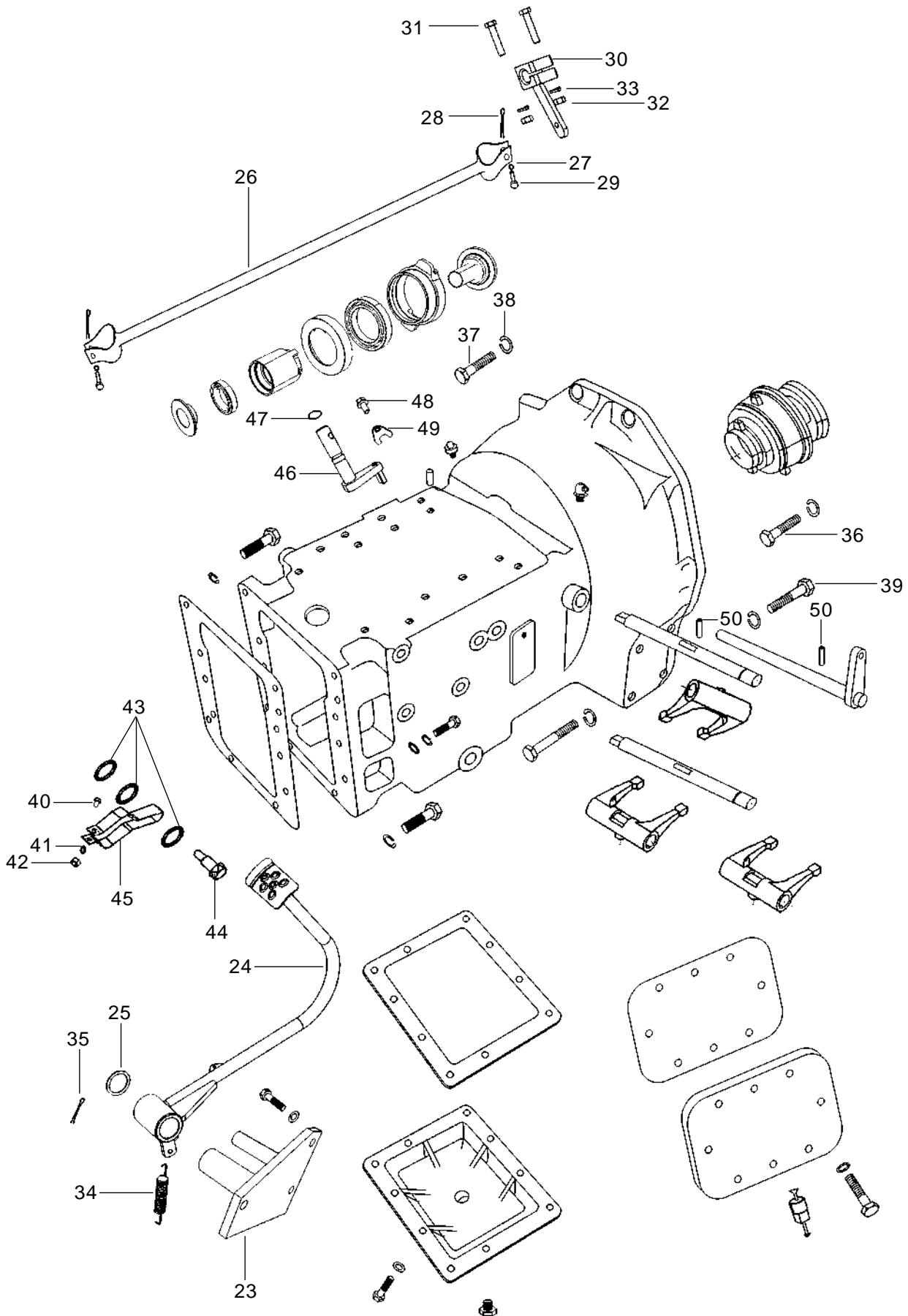
Clutch Housing and Connections



Clutch Housing and Connections

Ref.	Description of Part	Unit Quantity per tractor 4WD					Remarks / Service Bulletin No.
		6030		6530		7030	
		RSMA	RSMN	PSMF	PSMA	PSMX	
1	CLUTCH Housing IPTO	1	1	-	-	-	
1	CLUTCH Housing SLPTO	-	-	1	1	1	
2	FORK Main Clutch	1	1	1	1	1	
3	FORK IPTO Clutch Release	1	1	-	-	-	
3a	FORK SLPTO Clutch Release	-	-	1	1	1	
4	BEARING Clutch Release	1	1	-	-	-	
4a	PTO Clutch Shaft	-	-	1	1	1	
4b	BEARING HOUSING Main Clutch	-	-	1	1	1	
4c	PTO Housing	-	-	1	1	1	
4d	THRUST Sleeve Main Clutch	-	-	1	1	1	
4e	THRUST Sleeve PTO Clutch	-	-	1	1	1	
4f	BEARING Main Clutch	-	-	1	1	1	
4g	BEARING PTO Clutch	-	-	1	1	1	
4h	BEARING Retainer	-	-	1	1	1	
5	NIPPLE Grease	2	2	2	2	2	
6	GASKET Hand Hole Cover	1	1	1	1	1	
7	COVER Hand Hole	1	1	1	1	1	
8	BOLT 3/8" UNC x 3/4"	8	8	8	8	8	
9	WASHER 3/8"	8	8	8	8	8	
10	OIL PAN	1	1	1	1	1	
11	GASKET Oil Pan	1	1	1	1	1	
12	MAGNETIC Drain Plug	1	1	1	1	1	
13	BOLT 3/8" UNC x 1-1/8" L	13	13	13	13	13	
14	WASHER Spring 3/8"	13	13	13	13	13	
15	BOLT Hex. Head M12 x 1.75 x 180	2	2	2	2	2	
16	PIN Dowell Steering Mounting 1/2" x 1-1/8"	2	2	2	2	2	
17	WASHER Spring M12	2	2	2	2	2	
18	BOLT Clutch Hsg. - Trans Case 1/2" UNC x 1-3/4"	8	8	8	8	8	
19	SPRING Washer 1/2"	10	10	10	10	10	
20	WASHER Plain	6	6	6	6	6	
21	BOLT Clutch Hsg. Trans Case	2	2	-	-	-	
21	BOLT Clutch Hsg. Trans Case 1/2 UNC x 2-1/4 Hex.	-	-	2	2	2	
22	GASKET Clutch Hsg. Trans Case	1	1	-	-	-	
22	GASKET Clutch Hsg. Trans Case	-	-	1	1	1	

Clutch Housing and Connections



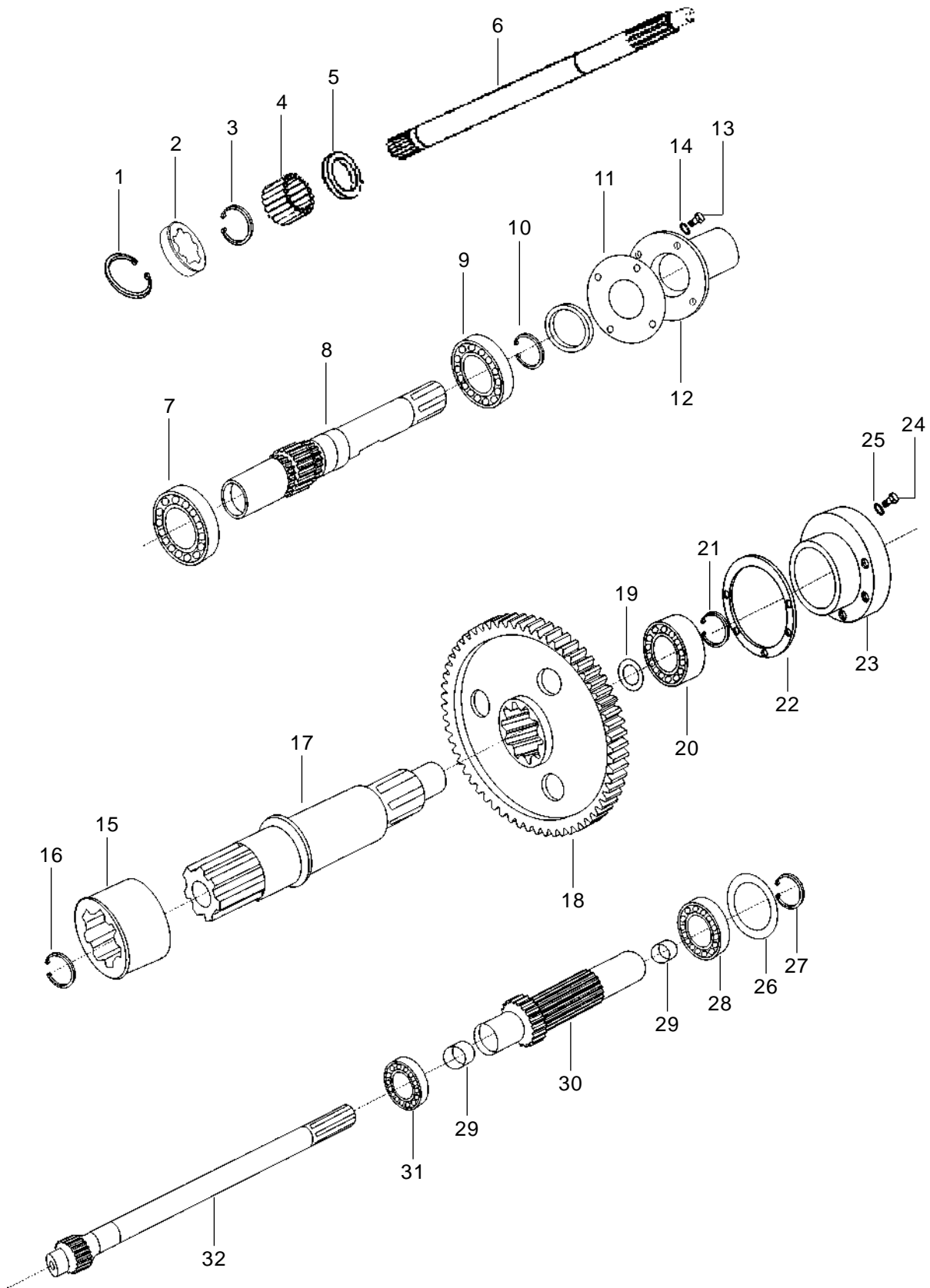
Clutch Housing and Connections

Ref.	Description of Part	Unit Quantity per tractor 4WD					Remarks / Service Bulletin No.
		6030		6530		7030	
		RSMA	RSMN	PSMF	PSMA	PSMX	
23	BRACKET Clutch Pedal Mounting	1	1	1	1	1	
24	CLUTCH Pedal Assembly	1	1	1	1	1	
25	WASHER	1	1	1	1	1	
26	LINK Connecting	1	1	-	-	-	
26	LINK Connecting	-	-	1	1	1	
27	WASHER 0.343" x 0.687" x 0.051"	2	2	2	2	2	
28	PIN Cotter 3/32" x 1"	2	2	2	2	2	
29	PIN	2	2	2	2	2	
30	CLUTCH Shaft Lever	1	1	1	1	1	
31	BOLT 3/8" UNF x 2 Hex. Head	2	2	2	2	2	
32	NUT Clutch Pedal	2	2	2	2	2	
33	WASHER 3/8" Spring Lock	2	2	2	2	2	
34	SPRING Clutch Pedal Lever	1	1	1	1	1	
35	PIN Cotter	1	1	1	1	1	
36	BOLT 1/2" UNC x 2-1/4"	5	5	5	5	5	
37	BOLT 1/2" UNC x 1-1/2"	2	2	2	2	2	
38	WASHER 1/2" Spring Lock	7	7	7	7	7	
39	BOLT M12 x 1.75 x 40	2	2	-	-	-	
39	BOLT M12 x 1.74 x 40	-	-	2	2	2	
40	BOLT M6	-	-	1	1	1	
41	SPRING WASHER	-	-	1	1	1	
42	NUT M6	-	-	1	1	1	
43	WASHER	-	-	3	3	3	
44	SHOULDER Bolt Coupling Holding Spring	-	-	1	1	1	
45	COUPLING Holding Spring	-	-	1	1	1	
46	SHAFT Lever FWD/REV	-	-	1	1	1	
47	O' RING - 15 x 1.8 NBK	-	-	1	1	1	
48	FLANGED Hex Bold M8 x 1.25 x 16	-	-	1	1	1	
49	PLATE Locking 4WD	-	-	1	1	1	
50	ROLL Pin M8 x 40	-	-	2	2	2	

IPTO, SLPTO & TRANSMISSION

IPTO Gears & Shafts.....	74 - 75
SLPTO Gears & Shafts	76 - 77
Transmission Case	78 - 79
Transmission Gears & Shafts (Full Synchronesh)	80 - 83
Rail Housing Assembly.....	84 - 87
Gear Shifter Mechanism-Cross Shaft Assembly	88 - 89
Side Shift Main Assembly	90 - 91
Range Shifting Mechanism	92 - 93
4WD Engagement Linkages	94 - 95
Dropbox	96 - 99
Direction Control Arrangement	100 - 101
Forward-Reverse Housing Assembly	102 - 109
IPTO Mechanism	110 - 111
SLPTO Mechanism	112 - 113
PTO Lever Assembly	114 - 115
Rear PTO Shaft & Operating Lever	116 - 117

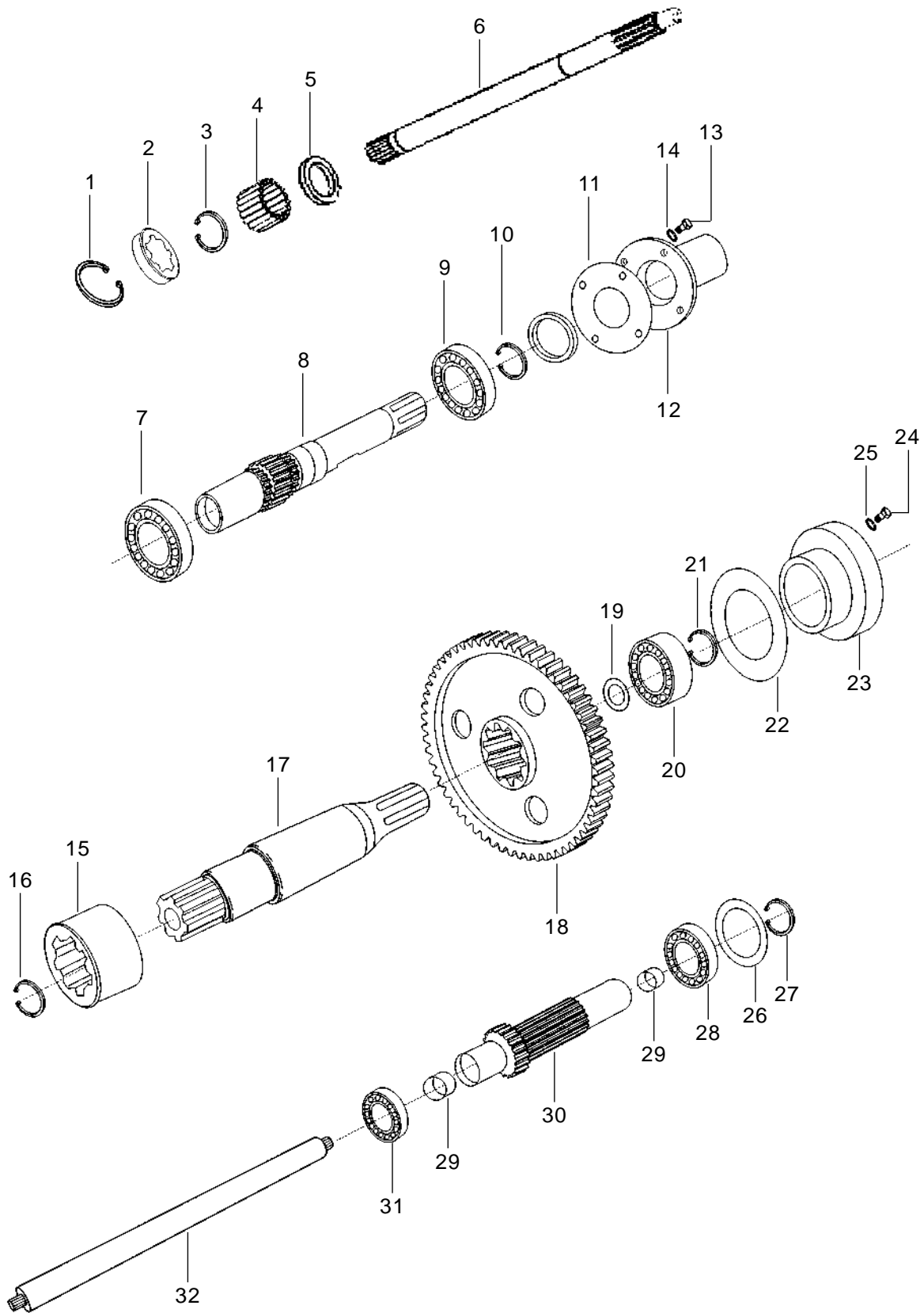
IPTO Gears & Shafts



IPTO Gears & Shafts

Ref.	Description of Part	Unit Quantity per tractor 4WD					Remarks / Service Bulletin No.
		6030		6530		7030	
		RSMA	RSMN	PSMF	PSMA	PSMX	
1	CIRCLIP Internal 42 x 1.75	1	1	-	-	-	
2	SPACER 42 x 30 x 3.5	1	1	-	-	-	
3	CIRCLIP Spline Shaft Front End	1	1	-	-	-	
4	BEARING NRB 30 x 42 x 30	1	1	-	-	-	
5	OIL Seal 30 x 40 x 8	1	1	-	-	-	
6	SHAFT Split Drive	1	1	-	-	-	
7	BEARING Drive Shaft	1	1	-	-	-	
8	DRIVE Shaft Hollow	1	1	-	-	-	
9	BEARING Hollow Drive Shaft	1	1	-	-	-	
10	CIRCLIP Hollow Drive Shaft	3	3	-	-	-	
11	GASKET Bearing Retainer	1	1	-	-	-	
12	BEARING Retainer Hollow Drive Shaft	1	1	-	-	-	
13	BOLT Bearing Retainer	4	4	-	-	-	
14	WASHER 5/16" Ø Spring Lock	4	4	-	-	-	
15	COUPLING PTO Shaft (Front)	1	1	-	-	-	
16	CIRCLIP PTO Coupling 40mm Dia.	1	1	-	-	-	
17	PTO Shaft Front	1	1	-	-	-	
18	GEAR Driven PTO (540 rpm)	1	1	-	-	-	
19	SPACER PTO Shaft Front	1	1	-	-	-	
20	ROLLER Bearing PTO Shaft Front	1	1	-	-	-	
21	CIRCLIP PTO Shaft Front	1	1	-	-	-	
22	GASKET End Cover	1	1	-	-	-	
23	COVER End	1	1	-	-	-	
24	BOLT 1/4" - 20 UNC x 3/4" L	3	3	-	-	-	
25	WASHER 1/4" Ø	3	3	-	-	-	
26	SHIMS	A/R	A/R	-	-	-	
26	SHIMS	A/R	A/R	-	-	-	
26	SHIMS	A/R	A/R	-	-	-	
26	SHIMS (.005")	A/R	A/R	-	-	-	
26	SHIMS (.008")	A/R	A/R	-	-	-	
27	CIRCLIP Internal 50mm Dia.	1	1	-	-	-	
28	BEARING Hollow Counter Shaft	1	1	-	-	-	
29	BEARING Needle	2	2	-	-	-	
30	COUNTER SHAFT Hollow	1	1	-	-	-	
31	BEARING Rear Counter Shaft	1	1	-	-	-	
32	SHAFT PTO Center	1	1	-	-	-	

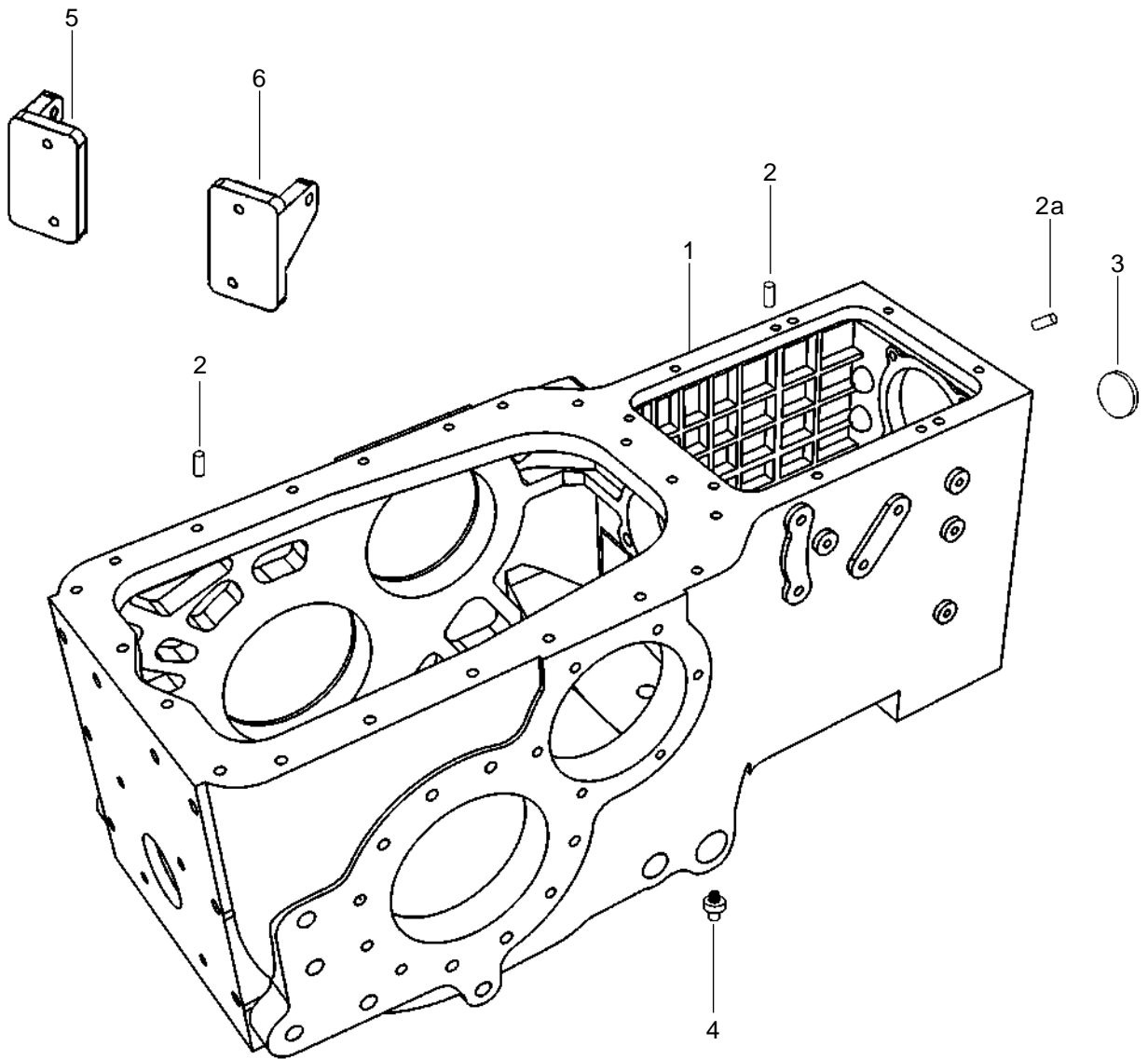
SLPTO Gears & Shafts



SLPTO Gears & Shafts

Ref.	Description of Part	Unit Quantity per tractor 4WD					Remarks / Service Bulletin No.
		6030		6530		7030	
		RSMA	RSMN	PSMF	PSMA	PSMX	
1	CIRCLIP Internal 42 x 1.75	-	-	1	1	1	
2	SPACER 42 x 30 x 3.5	-	-	1	1	1	
3	CIRCLIP Spline Shaft Front End	-	-	1	1	1	
4	BEARING NRB 30 x 42 x 30	-	-	1	1	1	
5	OIL Seal 30 x 40 x 8	-	-	1	1	1	
6	SHAFT Split Drive	-	-	1	1	1	
7	BEARING Drive Shaft	-	-	1	1	1	
8	DRIVE Shaft Hollow	-	-	1	1	1	
9	BEARING Hollow Drive Shaft	-	-	1	1	1	
10	CIRCLIP Hollow Drive Shaft	-	-	3	3	3	
11	GASKET Bearing Retainer	-	-	1	1	1	
12	BEARING Retainer Hollow Drive Shaft	-	-	1	1	1	
13	BOLT Bearing Retainer	-	-	4	4	4	
14	WASHER 5/16" Ø Spring Lock	-	-	4	4	4	
15	COUPLING PTO Shaft (Front)	-	-	1	1	1	
16	CIRCLIP PTO Coupling 40mm Dia.	-	-	1	1	1	
17	PTO Shaft Front	-	-	1	1	1	
18	GEAR Driven PTO (540 rpm)	-	-	1	1	1	
19	SPACER PTO Shaft Front	-	-	1	1	1	
20	ROLLER Bearing PTO Shaft Front	-	-	1	1	1	
21	CIRCLIP PTO Shaft Front	-	-	1	1	1	
22	GASKET End Cover	-	-	1	1	1	
23	COVER End	-	-	1	1	1	
24	BOLT 1/4" - 20 UNC x 3/4" L	-	-	3	3	3	
25	WASHER 1/4" Ø	-	-	3	3	3	
26	SHIMS	-	-	A/R	A/R	A/R	
26	SHIMS	-	-	A/R	A/R	A/R	
26	SHIMS	-	-	A/R	A/R	A/R	
26	SHIMS (.005")	-	-	A/R	A/R	A/R	
26	SHIMS (.008")	-	-	A/R	A/R	A/R	
27	CIRCLIP Internal 50mm Dia.	-	-	1	1	1	
28	BEARING Hollow Counter Shaft	-	-	1	1	1	
29	BEARING Needle	-	-	2	2	2	
30	COUNTER SHAFT Hollow	-	-	1	1	1	
31	BEARING Rear Counter Shaft	-	-	1	1	1	
32	SHAFT PTO Center	-	-	1	1	1	

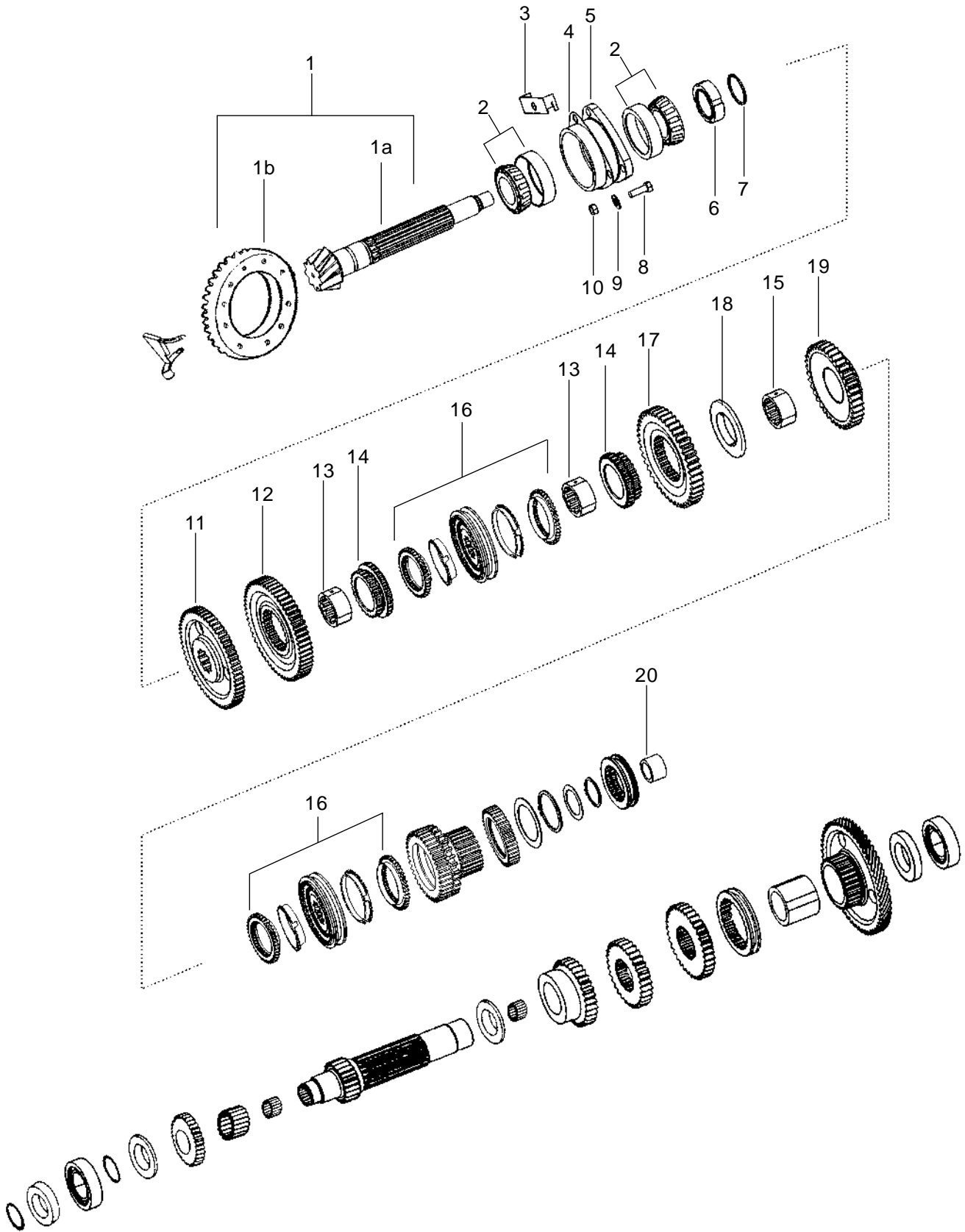
Transmission Case



Transmission Case

Ref.	Description of Part	Unit Quantity per tractor 4WD					Remarks / Service Bulletin No.
		6030		6530	7030		
		RSMA	RSMN	PSMF	PSMA	PSMX	
1	TRANSMISSION Case	1	1	-	-	-	
1	TRANSMISSION Case	-	-	1	1	1	
2	PIN Dowel 1/2" x 1-1/8"	4	4	4	4	4	
2a	PIN Dowel 1/2" x 1-1/8"	2	2	2	2	2	
3	PLUG Expansion	1	1	1	1	1	
4	NIPPLE Grease	2	2	2	2	2	
5	ROPS Mounting Plate LH	2	-	2	2	2	
6	ROPS Mounting Plate RH	2	-	2	2	2	
*	BOLT 5/8" UNC x 1-3/4" HX HD	4	-	4	4	4	
*	WASHER 5/8" Spring Lock	4	-	4	4	4	
*	WASHER Plain	4	-	4	4	4	

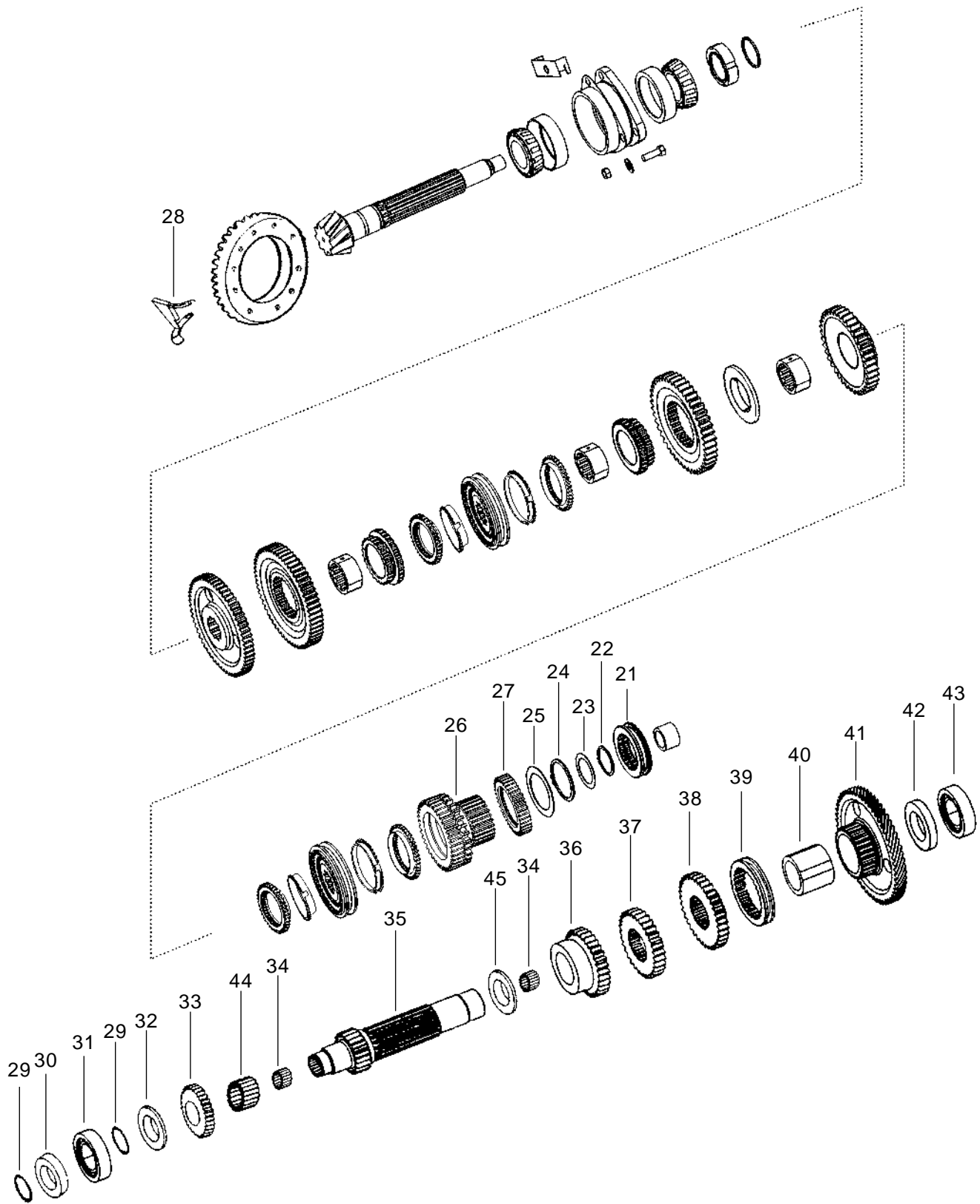
Transmission Gears & Shafts (Full Synchronmesh)



Transmission Gears & Shafts (Full Synchronesh)

Ref.	Description of Part	Unit Quantity per tractor 4WD					Remarks / Service Bulletin No.
		6030		6530		7030	
		RSMA	RSMN	PSMF	PSMA	PSMX	
1	SET of Two Assembly Consist of	1	1	-	-	-	
1a	▶ SHAFT Splined	1	1	-	-	-	
1b	▶ GEAR Bevel	1	1	-	-	-	
1	SET Of Two Assembly Consist of	-	-	1	1	1	
1a	▶ SHAFT Splined	-	-	1	1	1	
1b	▶ GEAR Bevel	-	-	1	1	1	
2	BRG. Taper Spline Shaft-rear	2	2	2	2	2	
3	OIL Collector	1	1	1	1	1	
4	SHIM Spline Shaft Brg. Cage-0.002"	A/R	A/R	A/R	A/R	A/R	
4	SHIM Spline Shaft Brg. Cage-0.003"	A/R	A/R	A/R	A/R	A/R	
4	SHIM Spline Shaft Brg. Cage-0.004"	A/R	A/R	A/R	A/R	A/R	
4	SHIM Spline Shaft Brg. Cage-0.006"	A/R	A/R	A/R	A/R	A/R	
4	SHIM Spline Shaft Brg. Cage-0.010"	A/R	A/R	A/R	A/R	A/R	
4	SHIM Spline Shaft Brg. Cage-0.015"	A/R	A/R	A/R	A/R	A/R	
4	SHIM Spline Shaft Brg. Cage-0.016"	A/R	A/R	A/R	A/R	A/R	
4	SHIM Spline Shaft Brg. Cage-0.030"	A/R	A/R	A/R	A/R	A/R	
4	SHIM Spline Shaft Brg. Cage	A/R	A/R	A/R	A/R	A/R	
5	BEARING Cage Spline Shaft	1	1	1	1	1	
6	LOCK NUT Transmission Spline Shaft	2	2	2	2	2	
7	CIRCLIP Spline Shaft Rear End	1	1	1	1	1	
8	BOLT 1/2" UNF x 2-5/8" Hex. Head (Brg. Cage S.Shift)	3	3	3	3	3	
9	WASHER 1/2"	3	3	3	3	3	
10	NUT 1/2" UNF Lock Nut	3	3	3	3	3	
11	GEAR Driving 4WD	1	1	1	1	1	
12	GEAR Driven 1st Speed	1	1	-	-	-	
12	GEAR Driven 1st Speed	-	-	1	1	1	
13	BUSH Gear Driven 1st & 2nd Speed	2	2	2	2	2	
14	SPLINED ADAPTER Gear Driven 1st & 2nd	2	2	2	2	2	
15	BUSH Gear Drive 3rd Speed	1	1	1	1	1	
16	SYNCRO Assembly	2	2	2	2	2	
17	GEAR Driven 2nd Speed	1	1	1	1	1	
18	SPACER Gear Driven 2nd & 3rd Speed (2-5mm Type)	1	1	1	1	1	
19	GEAR Driven 3rd Speed	1	1	1	1	1	
20	BEARING Pilot Transmission	1	1	1	1	1	

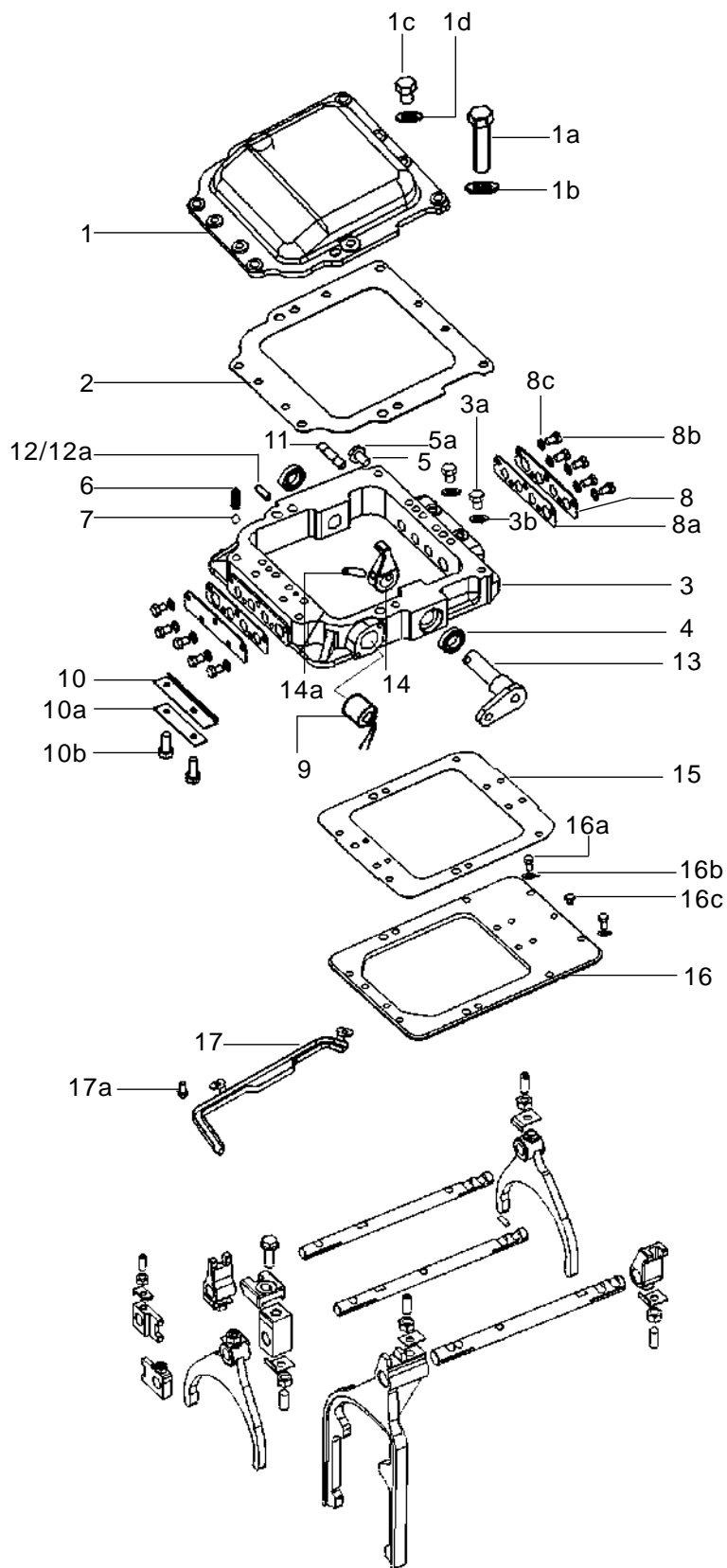
Transmission Gears & Shafts (Full Synchronmesh)



Transmission Gears & Shafts (Full Synchronesh)

Ref.	Description of Part	Unit Quantity per tractor 4WD					Remarks / Service Bulletin No.
		6030		6530		7030	
		R SMA	R SMN	PSMF	PSMA	PSMX	
21	COUPLING High Speed	1	1	1	1	1	
22	CIRCLIP Spline Shaft (Quill Gear End) 30 Dia.	1	1	1	1	1	
23	SPACER Spline Shaft	1	1	1	1	1	
24	CIRCLIP Splined Adaptor 4th Speed	1	1	1	1	1	
25	SPACER Gear Driven 4th Speed	1	1	1	1	1	
26	ADAPTER - Synchro 4th	1	1	1	1	1	
27	GEAR Driven - 4th	1	1	1	1	1	
28	OIL Collector Complete	1	1	1	1	1	
*	LOCK Plate Spline Shaft Lock Nut	1	1	1	1	1	
*	SPACER Trans. Spline Str. Brg.	1	1	1	1	1	
29	CIRCLIP Trans. Camshaft Rear	2	2	2	2	2	
30	SPACER Rear Camshaft Hollow	1	1	1	1	1	
31	ROLLER Bearing NUP 209 TVP	1	1	1	1	1	
32	SPACER C'Shaft Hollow	1	1	1	1	1	
33	GEAR Idler C'Shaft (22T)	1	1	1	1	1	
34	NEEDLE Bearing	2	2	2	2	2	
35	COUNTERSHAFT Hollow	1	1	-	-	-	
35	COUNTERSHAFT Hollow	-	-	1	1	1	
36	GEAR 2nd Driving Camshaft	1	1	1	1	1	
37	GEAR 3rd Driving	1	1	1	1	1	
38	GEAR Driving 4th Speed	1	1	1	1	1	
39	RING Control Shifting	1	1	1	1	1	
40	BUSH Constant Mesh Gear	1	1	1	1	1	
41	GEAR Constant Mesh	1	1	-	-	-	
41	GEAR Constant Mesh	-	-	1	1	1	
42	SPACER Camshaft	1	1	1	1	1	
43	BEARING Trans. Camshaft Front	1	1	1	1	1	
44	NEEDLE Roller Bearing 45 x 50 x 27	1	1	1	1	1	
45	SPACER Driving 2nd	-	-	1	1	1	

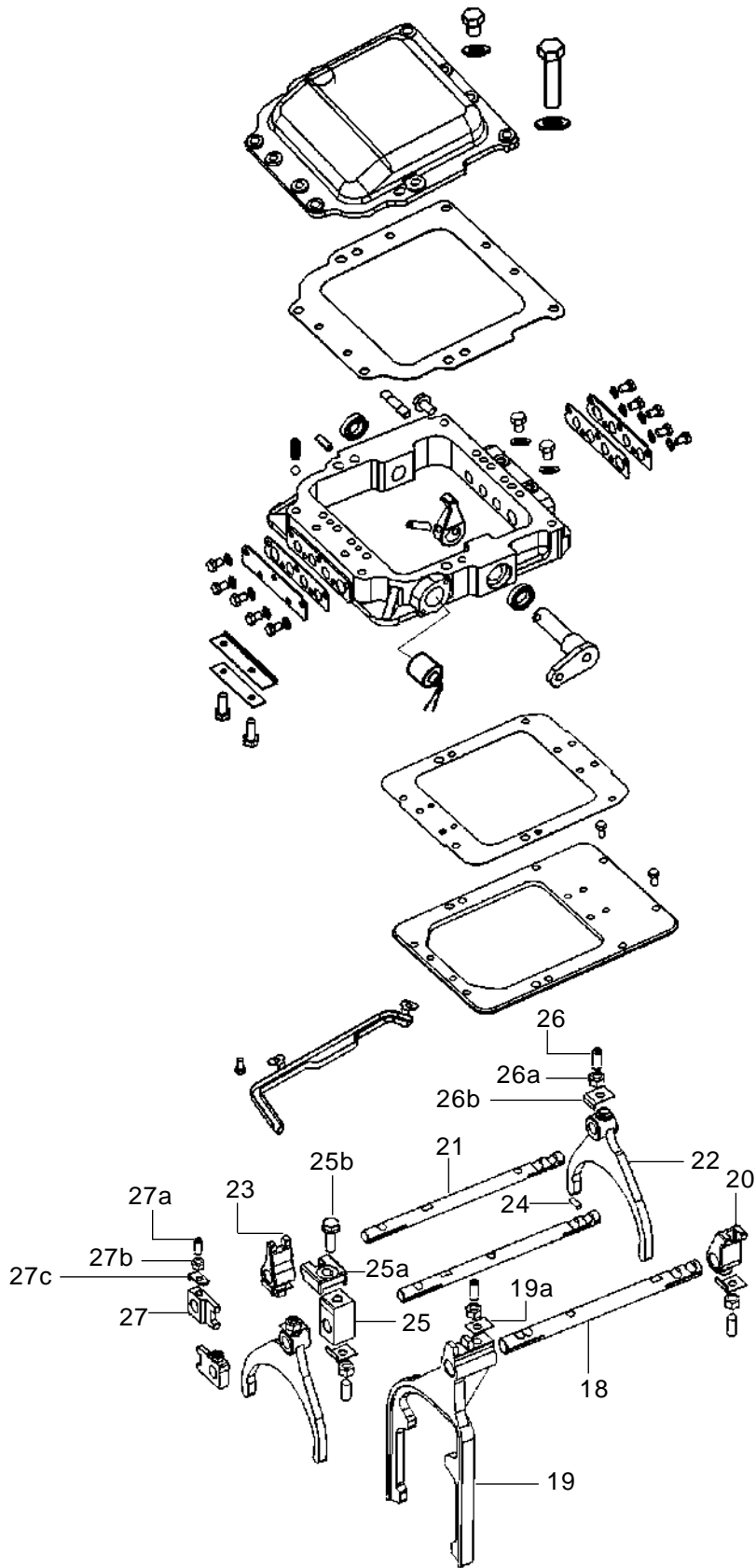
Rail Housing Assembly



Rail Housing Assembly

Ref.	Description of Part	Unit Quantity per tractor 4WD					Remarks / Service Bulletin No.
		6030		6530		7030	
		RSMA	RSMN	PSMF	PSMA	PSMX	
1	COVER Shifter	1	1	1	1	1	
1a	BOLT Lever Hsg. Trans Case 7/16" UNC x 3-1/4"L	6	6	6	6	6	
1b	WASHER 11.113 Spring Lock	6	6	6	6	6	
1c	BOLT Lever Hsg. To Rail HSG 1/16" UNC x 2-1/2"L	4	4	4	4	4	
1d	WASHER 9.525 Spring Lock	4	4	4	4	4	
2	GASKET Cover Shifter to Rail Housing	1	1	1	1	1	
3	HOUSING Rail	1	1	1	1	1	
3a	BOLT RAIL HSG TO Base Plate 3/8UNC x 1-3/4"L	2	2	2	2	2	
3b	WASHER 9.525 Spring Lock	2	2	2	2	2	
4	OIL Seal Housing Rail	2	2	2	2	2	
5	BOLT Interlock Pin Hole M10 x 12l	1	1	1	1	1	
5a	WASHER Plain .406 x .813 x .051	1	1	1	1	1	
6	SPRING Ball Shifter Assembly	6	6	6	6	6	
7	BALL Spring Shifter Assembly 13/32" Dia.	6	6	6	6	6	
8	END COVER Rail Housing	2	2	2	2	2	
8a	GASKET End Cover Rail Housing	2	2	2	2	2	
8b	BOLT M8 x 1.25 x 14L End Plate	10	10	10	10	10	
8c	WASHER Spring Lock	10	10	10	10	10	
9	SWITCH Neutral Safety	1	1	1	1	1	
10	BRACKET Rail Stopper	1	1	1	1	1	
10a	LOCK-PLATE Rail Stopper	1	1	1	1	1	
10b	BOLT M8 x 1.25 x 14L Stopper Plate	2	2	2	2	2	
11	STUD M10 x 1.5 x 50 Cross-shaft	1	1	1	1	1	
12	SLOTTED Spring Pin	1	1	1	1	1	
12a	ROLL Pin Inner	1	1	1	1	1	
13	CROSS Shaft High-low	1	1	1	1	1	
14	CAM Inner High-low	1	1	1	1	1	
14a	ROLL Pin 8 x 40	1	1	1	1	1	
15	GASKET Rail Housing to Base Plate	1	1	1	1	1	
16	BASE PLATE Rail Housing	1	1	1	1	1	
16a	BOLT Base Plate to Transcase 3/8" UNC x 1"L	2	2	2	2	2	
16b	WASHER Spring Lock	2	2	2	2	2	
16c	PLASTIC Plug Size 1/2" UNC	1	1	1	1	1	
17	CHANNEL Oil Complete	1	1	1	1	1	
17a	BOLT Oil Channel Mounting	2	2	2	2	2	

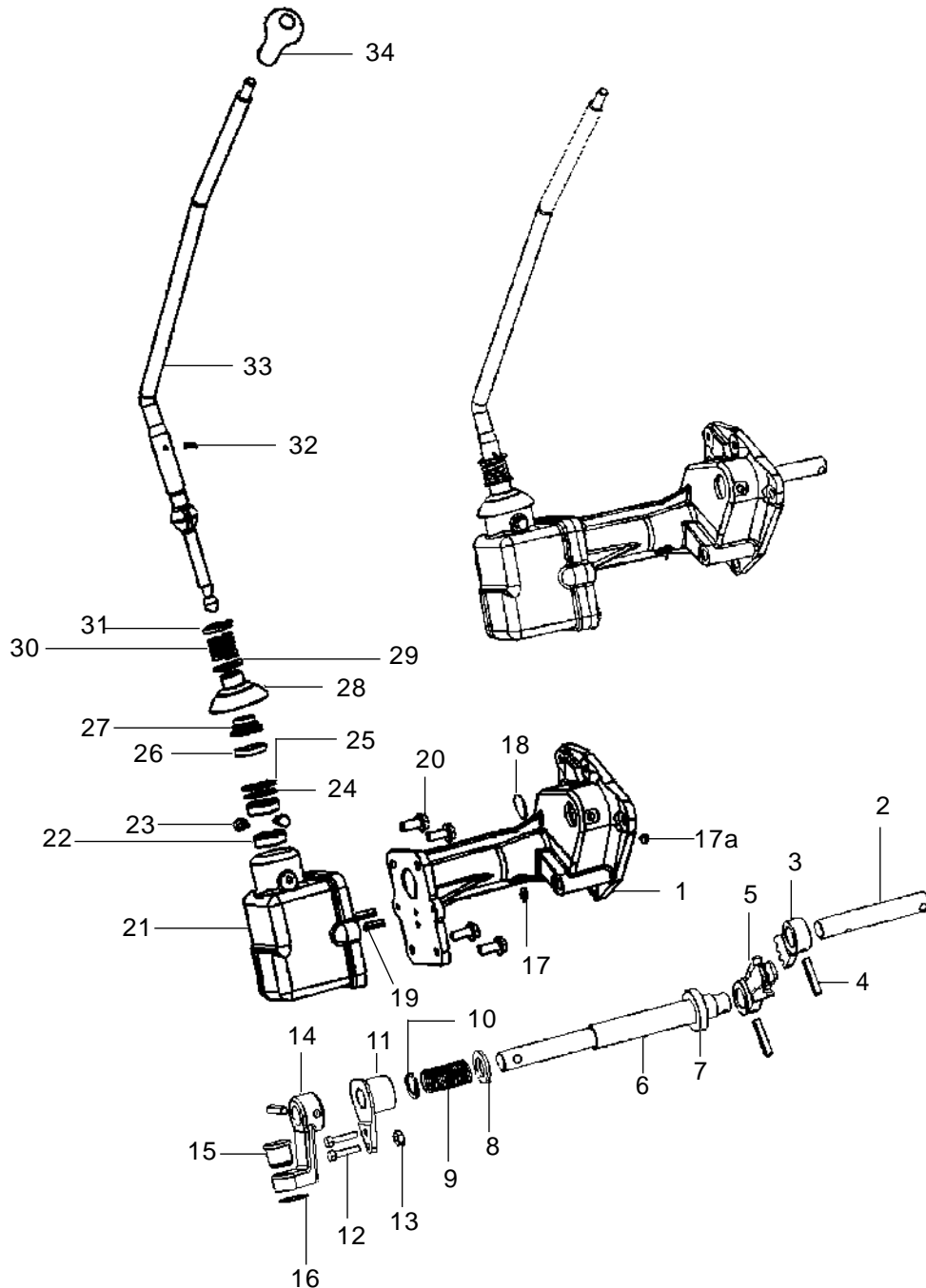
Rail Housing Assembly



Rail Housing Assembly

Ref.	Description of Part	Unit Quantity per tractor 4WD					Remarks / Service Bulletin No.
		6030		6530		7030	
		RSMA	RSMN	PSMF	PSMA	PSMX	
18	RAIL High-Low Side Shift	1	1	1	1	1	
19	FORK High-Low	1	1	1	1	1	
19a	LOCK Plate High-Low	1	1	1	1	1	
20	SECTION Shifter High-Low	1	1	1	1	1	
21	RAIL 1st, 2nd, 3rd & 4th Synchronesh	2	2	2	2	2	
22	FORK 1,2,3,4 Synchronesh	2	2	2	2	2	
23	SECTION Shifter 1st & 2nd	1	1	1	1	1	
24	PIN Interlock	1	1	1	1	1	
25	MAIN BLOCK 3rd-4th Section Shifter	1	1	1	1	1	
25a	ADJUSTABLE Block 3rd-4th Section Shifter	1	1	1	1	1	
25b	BOLT M10 x 1.25 x 30	1	1	1	1	1	
26	SCREW Grub Fork Clamping	6	6	6	6	6	
26a	NUT Fork Clamping	6	6	6	6	6	
26b	LOCK Plate Sec Shifters & 1-2, 3-4 Forks	5	5	5	5	5	
27	RETAINER Rail	2	2	2	2	2	
27a	SCREW Grub Cam Clamp	2	2	2	2	2	
27b	NUT Cam Clamp	2	2	2	2	2	
27c	LOCK Plate Retainer Rail	2	2	2	2	2	

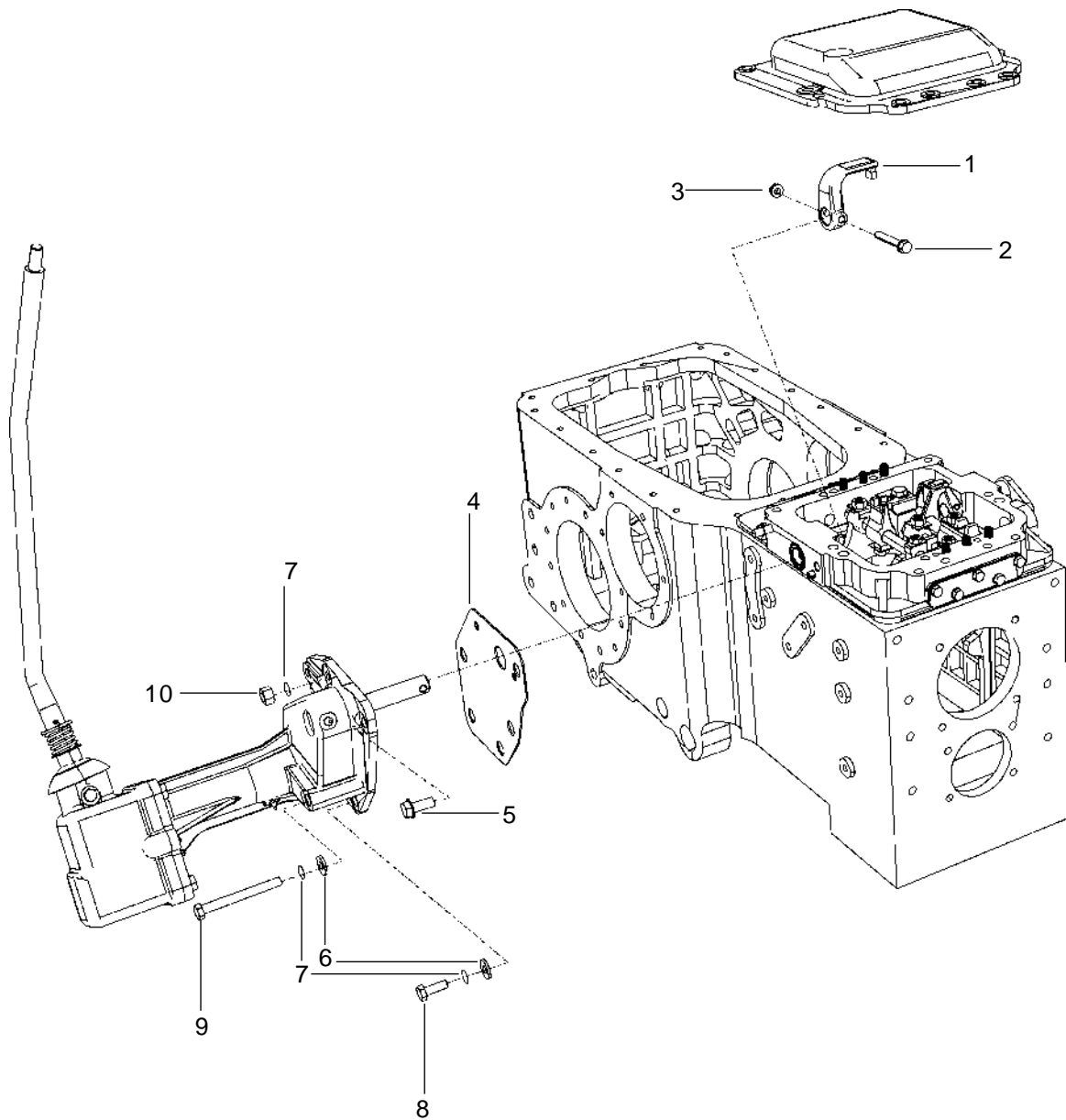
Gear Shifter Mechanism-Cross Shaft Assembly



Gear Shifter Mechanism-Cross Shaft Assembly

Ref.	Description of Part	Unit Quantity per tractor 4WD					Remarks / Service Bulletin No.
		6030		6530		7030	
		RSMA	RSMN	PSMF	PSMA	PSMX	
1	HOUSING Cross Shaft	1	1	1	1	1	
2	ACTUATING Shaft Sector	1	1	1	1	1	
3	SECTOR Actuating Shaft	1	1	1	1	1	
4	ROLL Pin 8 x 40	3	3	3	3	3	
5	ASSEMBLY Sector Cross-shaft	1	1	1	1	1	
6	SHAFT Cam Operating	1	1	1	1	1	
7	SPACER Cross Shaft	1	1	1	1	1	
8	SPACER BIG Cam	1	1	1	1	1	
9	SPRING Inner Cam	1	1	1	1	1	
10	SPACER Small Cam	1	1	1	1	1	
11	RETAINER Spring	1	1	1	1	1	
12	FLANGED Hex. Head Bolt M6 x 1 x 30	2	2	2	2	2	
13	NUT M6	1	1	1	1	1	
14	CAM Link	1	1	1	1	1	
15	BUSH Cam Link	1	1	1	1	1	
16	CIRCLIP External 24mm	1	1	1	1	1	
17	GREASE Nipple	1	1	1	1	1	
17a	GREASE Nipple	1	1	1	1	1	
18	WELCH Plug	1	1	1	1	1	
19	SLOTTED Spring Pin	2	2	2	2	2	
20	BOLT Flanged Hex. Head M10 x 1.5 x 20	4	4	4	4	4	
21	HOUSING Gear Shifter Lever	1	1	1	1	1	
22	SEAT Gear Shifter Lever	2	2	2	2	2	
23	PIVOT Pin Bolt	2	2	2	2	2	
24	SHIM Gear Shifter Lever	3	3	3	3	3	
25	CIRCLIP Internal 38mm Dia.	1	1	1	1	1	
26	WASHER Felt	1	1	1	1	1	
27	RUBBER Boot Inner	1	1	1	1	1	
28	SHIELD Shifter Swivel Housing	1	1	1	1	1	
29	WASHER Plain	1	1	1	1	1	
30	SPRING Gear Shifter Lever	1	1	1	1	1	
31	STOP Gear Shift Lever Spring	1	1	1	1	1	
32	PIN Cotter 3/16 x 1 1/2"	1	1	1	1	1	
33	LEVER Gear Shifter	1	1	1	1	1	
34	KNOB Gear Shifter Lever	1	1	1	1	1	

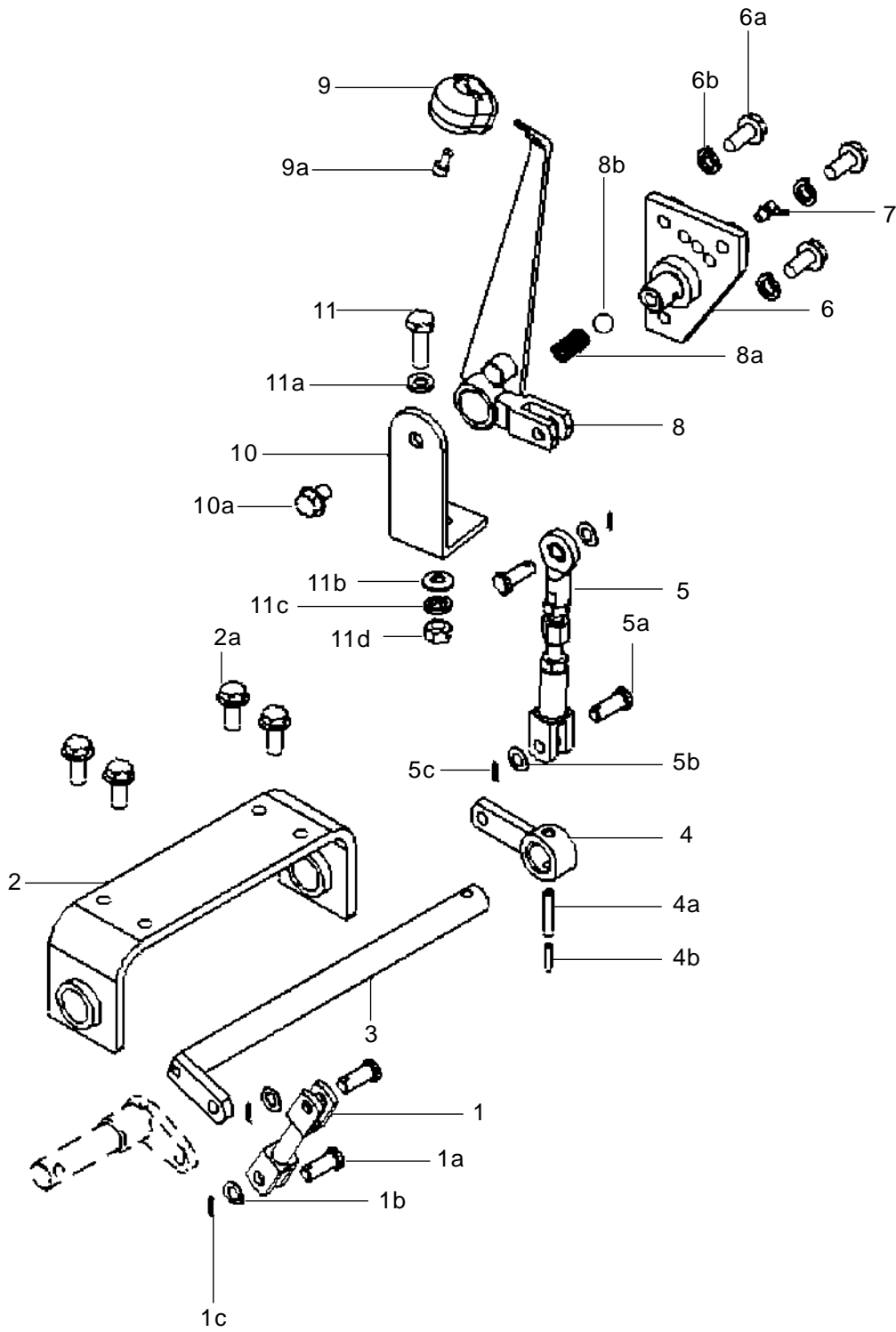
Side Shift Main Assembly



Side Shift Main Assembly

Ref.	Description of Part	Unit Quantity per tractor 4WD					Remarks / Service Bulletin No.
		6030		6530		7030	
		RSMA	RSMN	PSMF	PSMA	PSMX	
1	CAM Inner	1	1	1	1	1	
2	BOLT Hex. Head M8 x 1.25 x 55	1	1	1	1	1	
3	NUT Nylock M8 x 1.25	1	1	1	1	1	
4	COVER Cross Shaft Housing	1	1	1	1	1	
5	BOLT Flanged Hex. Head M10 x 1.5 x 20	1	1	1	1	1	
6	WASHER Plain 10mm x 24mm x 3mm	4	4	4	4	4	
7	WASHER M10 Spring Lock	5	5	5	5	5	
8	BOLT 3/8" UNC 1-1/8" Hex. Head	3	3	3	3	3	
9	BOLT 3/8" UNC 3-3/4"	1	1	1	1	1	
10	NUT M10 x 1.5	1	1	1	1	1	

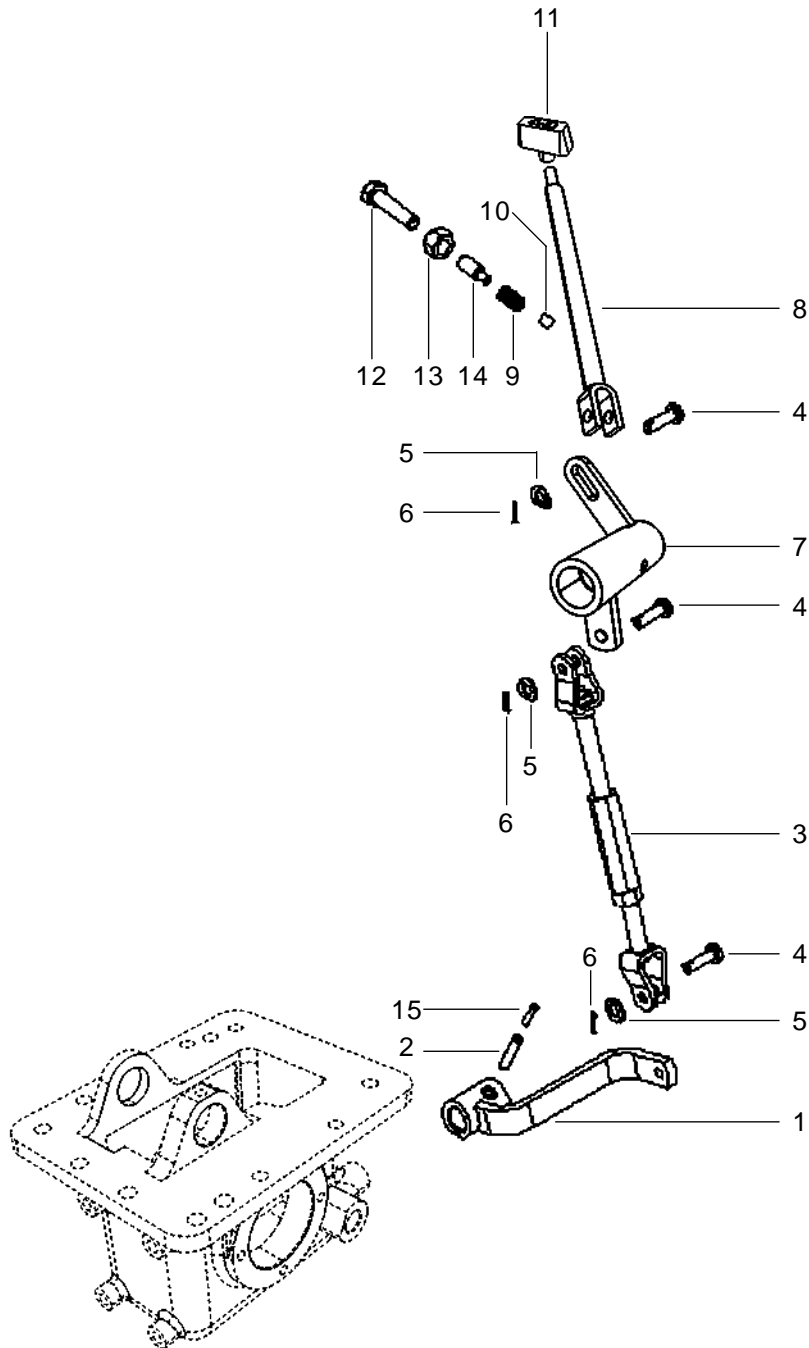
Range Shifting Mechanism



Range Shifting Mechanism

Ref.	Description of Part	Unit Quantity per tractor 4WD					Remarks / Service Bulletin No.
		6030		6530		7030	
		RSMA	RSMN	PSMF	PSMA	PSMX	
1	LINK High-Low Sideshift	1	1	1	1	1	
1a	PIN Gear Shift Link Trans Side	2	2	2	2	2	
1b	WASHER Plain M10	2	2	2	2	2	
1c	PIN Cotter 3/32" x 1"	2	2	2	2	2	
2	ASSEMBLY Bracket Gear Shift Linkages Sideshift	1	1	1	1	1	
2a	BOLT Flanged Hex. Head M10 x 1.5 x 25	4	4	4	4	4	
3	SHAFT High-Low Linkages Side Shift	1	1	1	1	1	
4	LEVER Actuating High-Low Fender Side	1	1	1	1	1	
4a	ROLL Pin 0.250 x 1.4	1	1	1	1	1	
4b	PIN Slotted	1	1	1	1	1	
5	ASSY GEAR Shift Selector Sideshift	1	1	1	1	1	
5a	PIN Gear Shift Link Selector Side	2	2	2	2	2	
5b	WASHER Plain M10	2	2	2	2	2	
5c	PIN Cotter 3/32" x 1"	2	2	2	2	2	
6	BRACKET High-Low Lever Sideshift	1	1	1	1	1	
6a	BOLT Flanged Hex. Head M10 x 1.5 x 25	3	3	3	3	3	
6b	WASHER M10 Spring Lock	3	3	3	3	3	
7	GREASE Nipple M6 x 90 Deg.	1	1	1	1	1	
8	ASSY Lever High-Low Sideshift	1	1	1	1	1	
8a	SPRING Gear Shifter Poppet	1	1	1	1	1	
8b	BALL Steel 13/32"	1	1	1	1	1	
9	KNOB High-Low Lever	1	1	1	1	1	
9a	SCREW M6 x 1 x 12	1	1	1	1	1	
10	BRACKET Support High-Low Lever	1	1	1	1	1	
10a	BOLT M10 x 1.5 x 16	1	1	1	1	1	
11	BOLT Hex. M10 x 1.5 x 30LG	1	1	1	1	1	
11a	WASHER Plain M10	1	1	1	1	1	
11b	WASHER Plain 10mm x 24mm x 3mm	1	1	1	1	1	
11c	WASHER M10 Spring Lock	1	1	1	1	1	
11d	NUT M10 x 1.5	1	1	1	1	1	

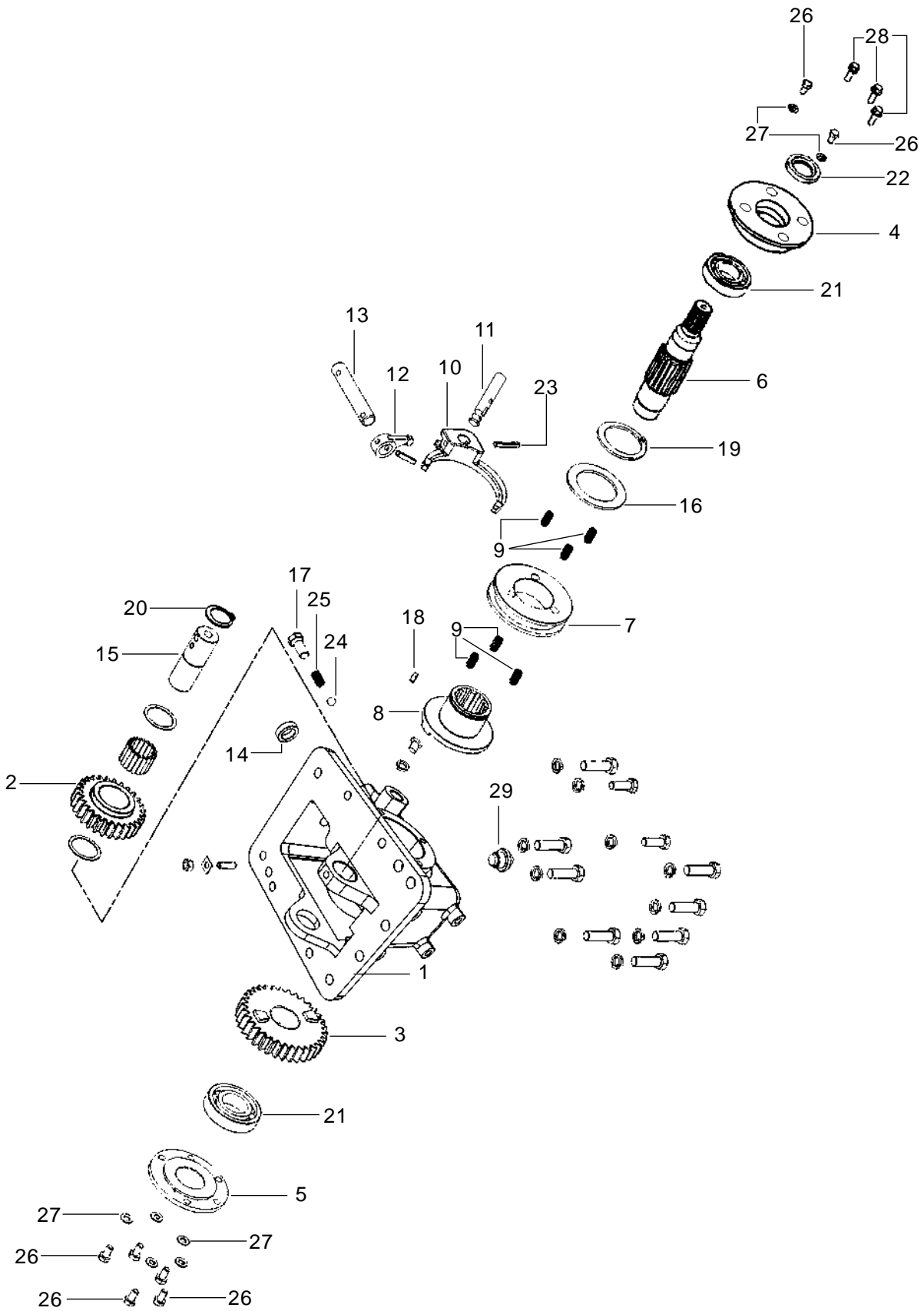
4WD Engagement Linkages



4WD Engagement Linkages

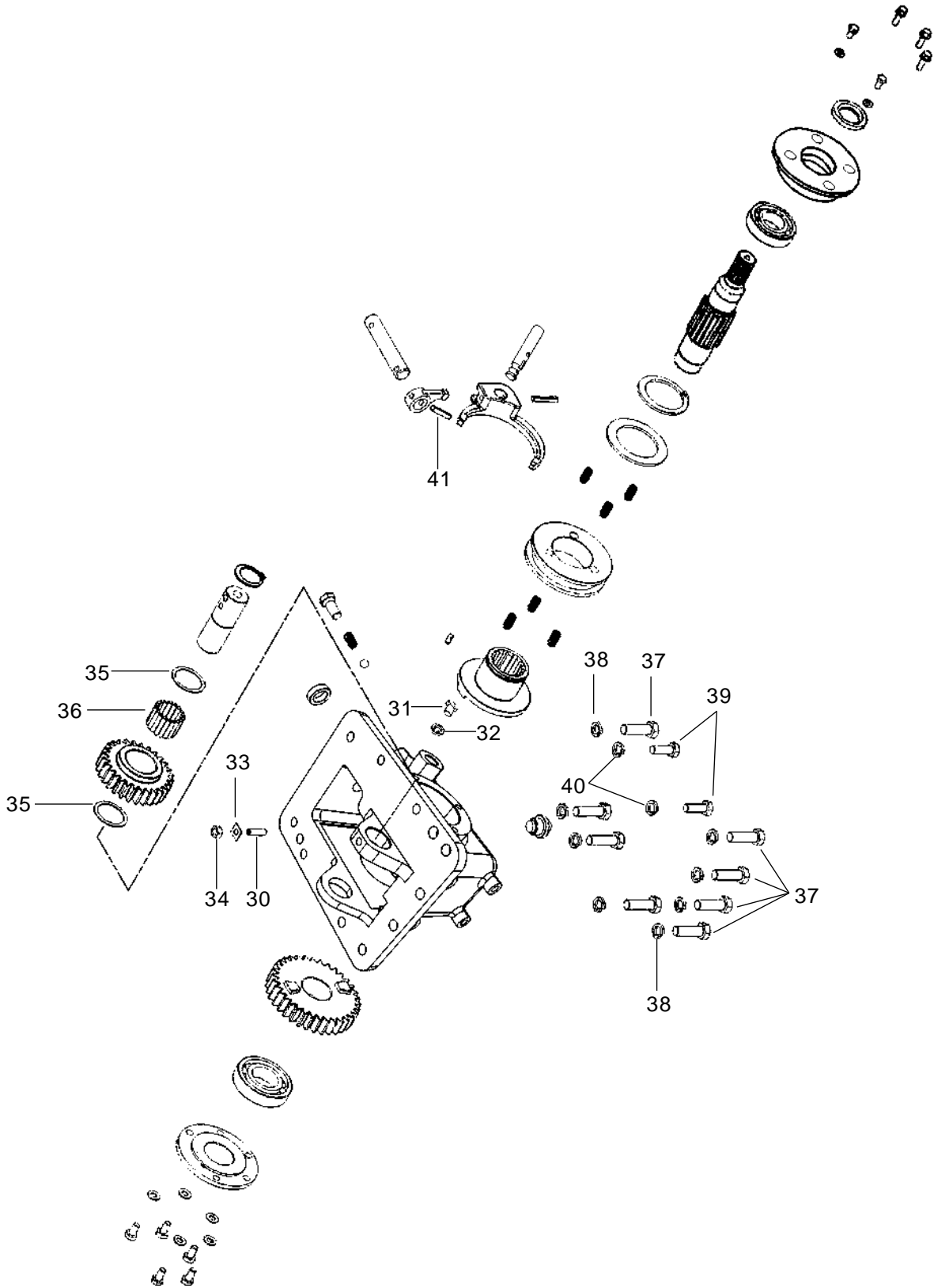
Ref.	Description of Part	Unit Quantity per tractor 4WD					Remarks / Service Bulletin No.
		6030		6530		7030	
		R SMA	R SMN	P S M F	P S M A	P S M X	
1	LEVER Actuating 2WD/4WD Side	1	1	1	1	1	
2	ROLL PIN 0.250 x 1.4	1	1	1	1	1	
3	LINK Actuating 2WD/4WD	1	1	1	1	1	
4	PIN Rod End	3	3	3	3	3	
5	WASHER Plain 0.343 x 0.687 x 0.051	3	3	3	3	3	
6	PIN Cotter 3/32 x 1"	3	3	3	3	3	
7	ASSEMBLY Lever Actuating 2WD/4WD	1	1	1	1	1	
8	ASSEMBLY Lever Operating 2WD/4WD	1	1	1	1	1	
9	SPRING Gear Shifter Poppet	1	1	1	1	1	
10	BALL Steel 13/32"	1	1	1	1	1	
11	KNOB	1	1	1	1	1	
12	BOLT 1/2" UNC 3-3/4" Hex. Head	2	2	2	2	2	
13	NUT 1/2" UNC Hex. Head	1	1	1	1	1	
14	PIN Spring Guide 2WD/4WD	1	1	1	1	1	
15	PIN Slotted	1	1	1	1	1	

Dropbox



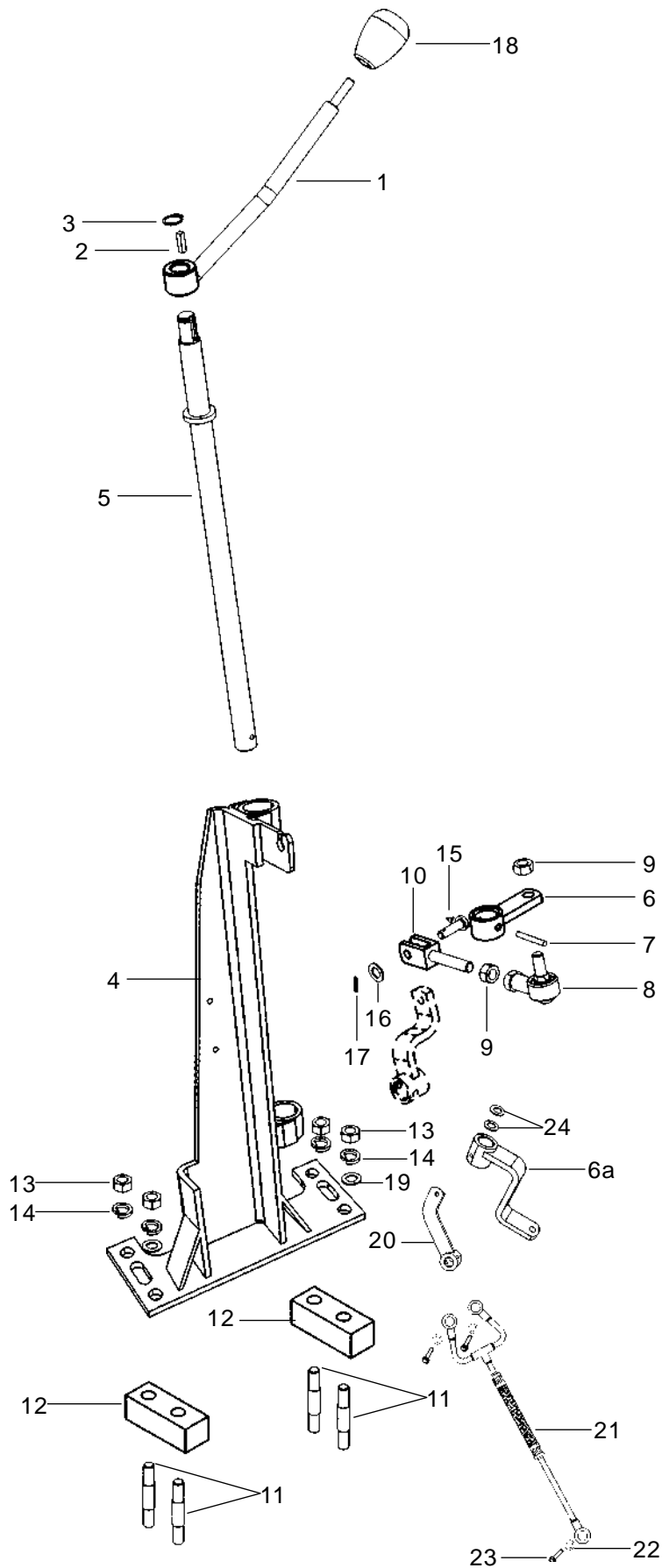
Ref.	Description of Part	Unit Quantity per tractor 4WD					Remarks / Service Bulletin No.
		6030		6530		7030	
		RSMA	RSMN	PSMF	PSMA	PSMX	
1	DROP-DOWN Gearbox	1	1	-	-	-	
1	DROP-DOWN Gearbox	-	-	1	1	1	
2	IDLER GEAR Dropbox (28 Teeth)	1	1	-	-	-	
2	IDLER GEAR Dropbox (26 Teeth)	-	-	1	1	1	
3	GEAR 57 Teeth Dropbox	1	1	-	-	-	
3	GEAR 41 Teeth Dropbox	-	-	1	1	1	
4	END COVER - Front Dropbox	1	1	1	1	1	
5	END COVER - Rear Dropbox	1	1	1	1	1	
6	OUTPUT Shaft Dropbox	1	1	1	1	1	
7	COUPLING Dropbox	1	1	1	1	1	
8	COUPLING Hub Dropbox	1	1	1	1	1	
9	SPRING Coupling Retension	6	6	6	6	6	
10	FORK Dropbox	1	1	1	1	1	
11	RAIL Dropbox	1	1	1	1	1	
12	SHIFTING Cam Dropbox	1	1	1	1	1	
13	SHAFT Shifting Cam	1	1	1	1	1	
14	OILSEAL Lever Housing	1	1	1	1	1	
15	IDLER Shaft Dropbox	1	1	1	1	1	
16	END WASHER Dropbox	1	1	1	1	1	
17	PLUG POPPET Retaining Dropbox	1	1	1	1	1	
18	KEY Coupling Hub Dropbox	1	1	1	1	1	
19	CIRCLIP Coupling Hub Dropbox Dia. 55	1	1	1	1	1	
20	CIRCLIP 30mm Dia. Quill Gear End	1	1	1	1	1	
21	BEARING Output Shaft	2	1	1	1	1	
22	OIL SEAL	1	1	1	1	1	
23	ROLL PIN Fork Dropbox	1	1	1	1	1	
24	BALL Poppet	1	1	1	1	1	
25	SPRING Poppet	1	1	1	1	1	
26	BOLT Hex. Cover M8 x 1.25 - 16	8	8	8	8	8	
27	WASHER Plain M8	8	8	8	8	8	
28	MOUNTING BOLT End Cover M8 x 25	3	3	3	3	3	
29	MAGNETIC Drain Plug	1	1	1	1	1	

Dropbox



Ref.	Description of Part	Unit Quantity per tractor 4WD					Remarks / Service Bulletin No.
		6030		6530		7030	
		RSMA	RSMN	PSMF	PSMA	PSMX	
30	GRUB Screw Idler Shaft	1	1	1	1	1	
31	PLUG Dropbox	1	1	1	1	1	
32	COPPER Washer	1	1	1	1	1	
33	LOCK PLATE	1	1	1	1	1	
34	NUT	1	1	1	1	1	
35	SPACER Rear Idler Shaft	2	2	2	2	2	
36	NEEDLE Bearing Idler Shaft	1	1	1	1	1	
37	BOLT Hex. 7/16"	8	8	8	8	8	
38	WASHER Bull Pinion Bearing Cage	8	8	8	8	8	
39	BOLT 3/8 UNC x 1-1/8 Hex. Head	2	2	2	2	2	
40	WASHER 318" Spring Lock	2	2	2	2	2	
41	ROLL PIN Shaft Shifting Cam	1	1	1	1	1	
*	NEW DROP-DOWN Gearbox Complete	1	1	1	1	1	

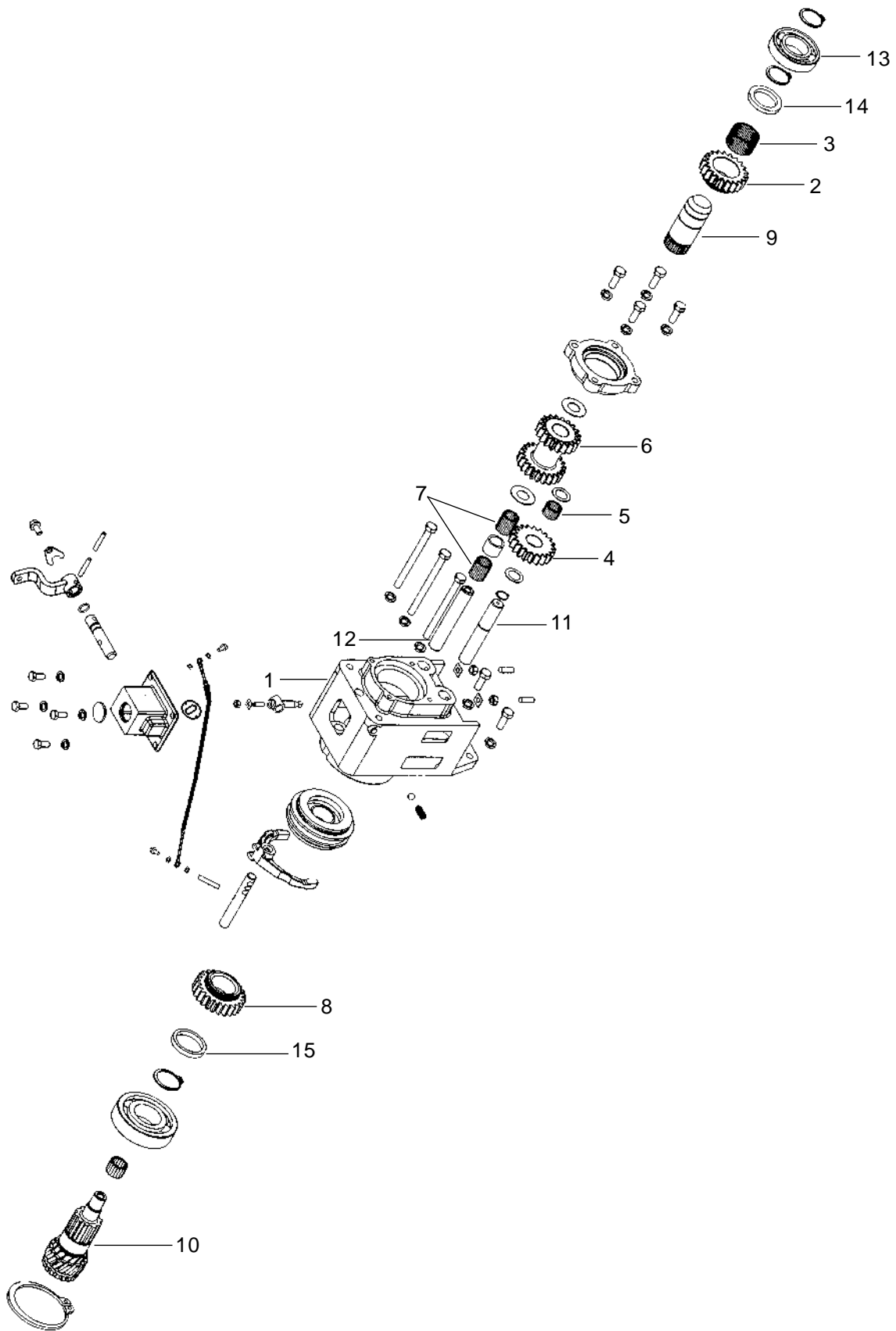
Direction Control Arrangement



Direction Control Arrangement

Ref.	Description of Part	Unit Quantity per tractor 4WD					Remarks / Service Bulletin No.
		6030		6530		7030	
		RSMA	RSMN	PSMF	PSMA	PSMX	
1	LEVER Direction Control	1	1	1	1	1	
2	KEY Direction Control	1	1	1	1	1	
3	CIRCLIP External 16mm	1	1	1	1	1	
4	ASSEMBLY Bracket Control Support - TY	1	1	1	1	1	
5	SHAFT Direction Control - LH	1	1	1	1	1	
6	LEVER Actuating High-Low	1	1	-	-	-	
6a	LEVER Actuating on F/R Shaft	-	-	1	1	1	
7	ROLL Pin 0.250 x 1.4	1	1	1	1	1	
8	BALL Joint Assembly	1	1	1	1	1	
9	NUT M10 x 1.50 Plated	2	2	2	2	2	
10	LINK Direction Control Front	1	1	1	1	1	
11	STUD Fuel Tank Mounting - 4WD	4	4	4	4	4	
12	SPACER Control Support Mounting	2	2	2	2	2	
13	NUT 7/16 UNC	4	4	4	4	4	
14	WASHER Spring 3/8"	4	4	4	4	4	
15	PIN Rod End	1	1	1	1	1	
16	WASHER Plain M8	1	1	1	1	1	
17	PIN Cotter 3/32 x 1"	1	1	1	1	1	
18	KNOB Governor Control Lever	1	1	1	1	1	
19	PLAIN Washer	2	2	2	2	2	
20	LEVER Actuating Trans. F/R Shaft	-	-	1	1	1	
21	BUNDY Tube for F/R	-	-	1	1	1	
22	WASHER Copper M6	-	-	6	6	6	
23	BOLT Banjo M6	-	-	3	3	3	
24	SPACER	2	2	-	-	-	

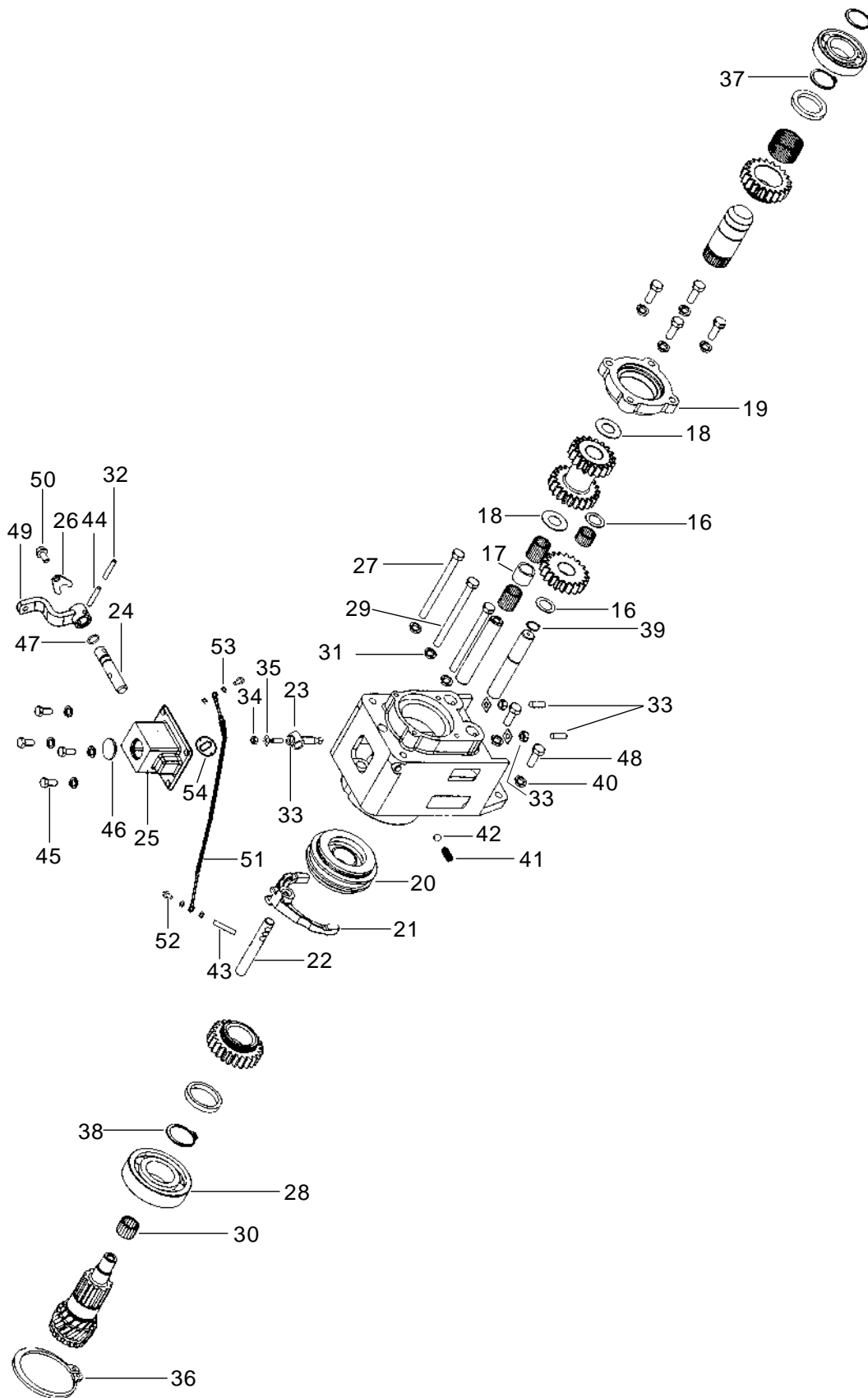
Forward-Reverse Housing Assembly



Forward-Reverse Housing Assembly

Ref.	Description of Part	Unit Quantity per tractor 4WD					Remarks / Service Bulletin No.
		6030		6530		7030	
		RSMA	RSMN	PSMF	PSMA	PSMX	
1	HOUSING FWD/REV	1	1	-	-	-	
2	GEAR Input FWD/REV 21T	1	1	-	-	-	
3	NEEDLE Bearing Input Gear 40 x 45 x 27	1	1	-	-	-	
4	GEAR Idler FWD/REV 20T	1	1	-	-	-	
5	NEEDLE Roller Bearing 20 x 26 x 17	1	1	-	-	-	
6	GEAR Cluster FWD/REV 19-22 T	1	1	-	-	-	
7	NEEDLE Bearing (Cluster) 20 x 27 x 30	2	2	-	-	-	
8	GEAR Output FWD/REV 24 T	1	1	-	-	-	
9	SHAFT Hollow Front FWD/REV	1	1	-	-	-	
10	SHAFT Drive Rear FWD /REV	1	1	-	-	-	
11	SHAFT Idler Gear FWD/REV	1	1	-	-	-	
12	SHAFT Cluster Gear	1	1	-	-	-	
13	BEARING DRIVE Shaft Front (6208 NR)	1	1	-	-	-	
14	SPACER Input Gear FWD/REV	1	1	-	-	-	
14	SPACER Graded 40 x 55 x 6.9	1	1	-	-	-	
14	SPACER Graded 40 x 55 x 7.1	1	1	-	-	-	
14	SPACER Graded 40 x 55 x 7.3	1	1	-	-	-	
14	SPACER Graded 40 x 55 x 7.5	1	1	-	-	-	
14	SPACER Graded 40 x 55 x 7.7	1	1	-	-	-	
14	SPACER Graded 40 x 55 x 7.9	1	1	-	-	-	
14	SPACER Graded 40 x 55 x 8.1	1	1	-	-	-	
14	SPACER Graded 40 x 55 x 8.3	1	1	-	-	-	
15	SPACER Output Gear FWD/REV	1	1	-	-	-	
15	SPACER Graded 45.1 x 55 x 7.6	1	1	-	-	-	
15	SPACER Graded 45.1 x 55 x 7.8	1	1	-	-	-	
15	SPACER Graded 45.1 x 55 x 7.9	1	1	-	-	-	
15	SPACER Graded 45.1 x 55 x 8.0	1	1	-	-	-	
15	SPACER Graded 45.1 x 55 x 8.3	1	1	-	-	-	
15	SPACER Graded 45.1 x 55 x 8.5	1	1	-	-	-	
15	SPACER Graded 45.1 x 55 x 8.7	1	1	-	-	-	

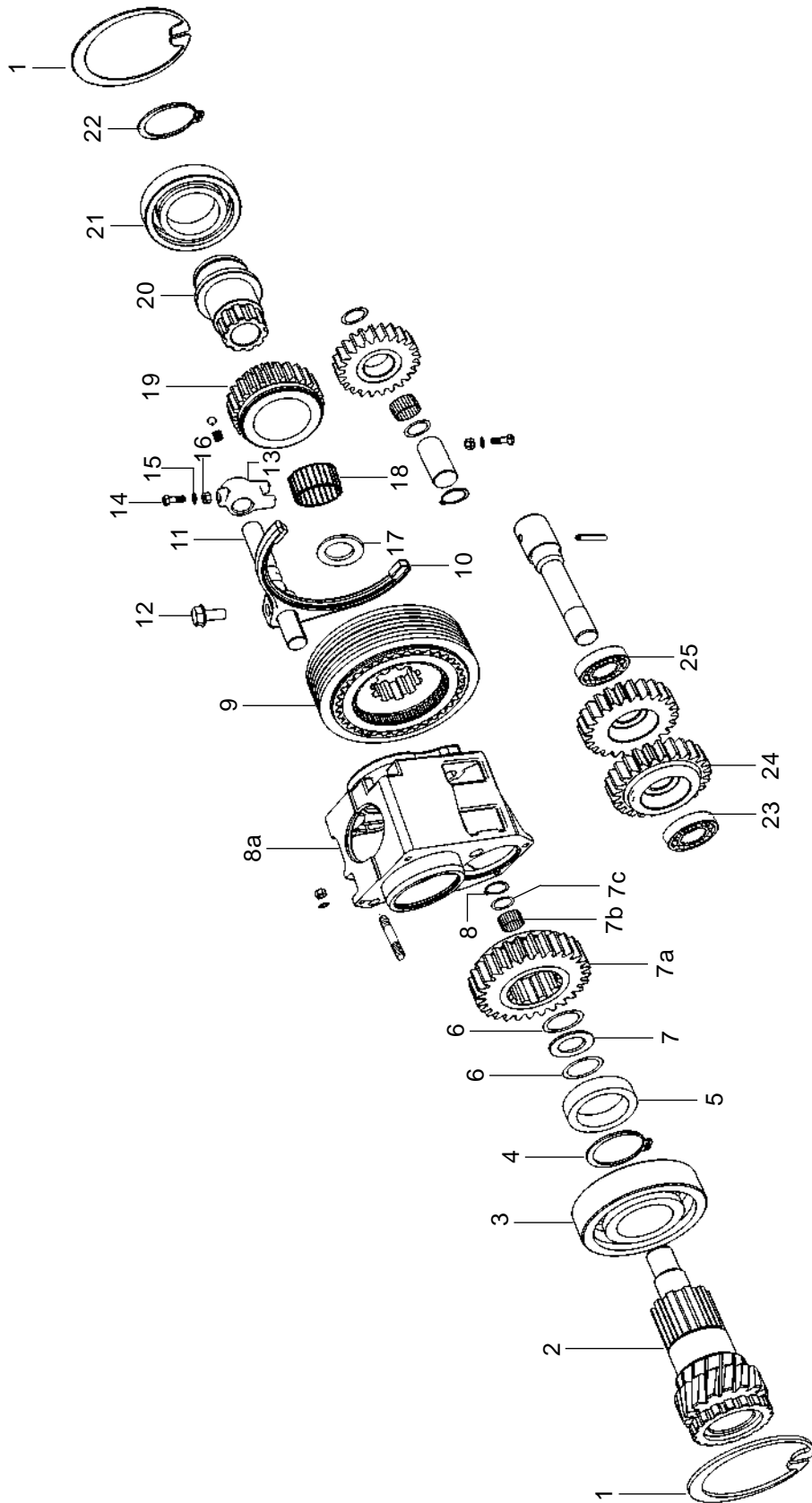
Forward-Reverse Housing Assembly



Forward-Reverse Housing Assembly

Ref.	Description of Part	Unit Quantity per tractor 4WD					Remarks / Service Bulletin No.
		6030		6530		7030	
		RSMA	RSMN	PSMF	PSMA	PSMX	
16	SPACER Idler Gear FWD/REV	2	2	-	-	-	
17	INTERNAL SPACER Cluster Gear FWD/REV	1	1	-	-	-	
18	SPACER Cluster Gear	2	2	-	-	-	
19	END COVER Fwd/Rev Housing	1	1	-	-	-	
20	SYNCHRO PACK (42 mm Double Cone)	1	1	-	-	-	
21	FORWARD Reverse Gear Shifting Fork	1	1	-	-	-	
22	RAIL FWD/REV	1	1	-	-	-	
23	CAM SHIFTING FWD/REV	1	1	-	-	-	
24	CROSS SHAFT FWD/REV	1	1	-	-	-	
25	BRACKET F-R Shifting with Synchro Lubrication	1	1	-	-	-	
26	LOCK PLATE	1	1	-	-	-	
27	BOLT 3/8" UNC x 120 Long	2	2	-	-	-	
28	BEARING Drive Shaft Rear (6309) P Type	1	1	-	-	-	
29	BOLT M8 x 145	1	1	-	-	-	
30	NEEDLE ROLLER Bearing (Pilot) 20 x 28 x 20	1	1	-	-	-	
31	WASHER 145L BOLT F/R	1	1	-	-	-	
32	PIN Slotted	1	1	-	-	-	
33	GRUB SCREW Idler & Cluster Shaft (M8 x 25)	3	3	-	-	-	
34	GRUB NUT Idler & Cluster Shaft	3	3	-	-	-	
35	LOCK PLATE For Grub Screw & Nut	3	3	-	-	-	
36	CIRCLIP Drive Shaft Rear 100 x 3.4	1	1	-	-	-	
37	CIRCLIP Drive Shaft Front 40mm	1	1	-	-	-	
38	CIRCLIP Drive Shaft Rear 45mm	1	1	-	-	-	
39	CIRCLIP Drive Shaft Idler 20mm	1	1	-	-	-	
40	WASHER 3/8" Spring Lock	4	4	-	-	-	
41	SPRING (Poppet)	1	1	-	-	-	
42	BALL (Poppet)	1	1	-	-	-	
43	ROLL PIN F/R Fork	1	1	-	-	-	
44	ROLL PIN Shaft Shifter Cam	1	1	-	-	-	
45	BOLT Bracket Shifter Cam 5/16 x 3/4"	4	4	-	-	-	
46	WELTCH PLUG FWD/REV	1	1	-	-	-	
47	O' RING FWD / REV Dia. 16 Cross Shaft	1	1	-	-	-	
48	BOLT 3/8" UNC 1-1/8"	4	4	-	-	-	
49	ACTUATING LEVER Directional Control	1	1	-	-	-	
50	BOLT Flanged Hex. Head M8 x 1.25 x 16	1	1	-	-	-	
51	TUBE Bundy Flex for Synchro Lub	1	1	-	-	-	
52	BANJO Bolt M6	2	2	-	-	-	
53	WASHER Copper M6	4	4	-	-	-	
54	OIL Retainer Fwd/Rev Synchro Lub	1	1	-	-	-	

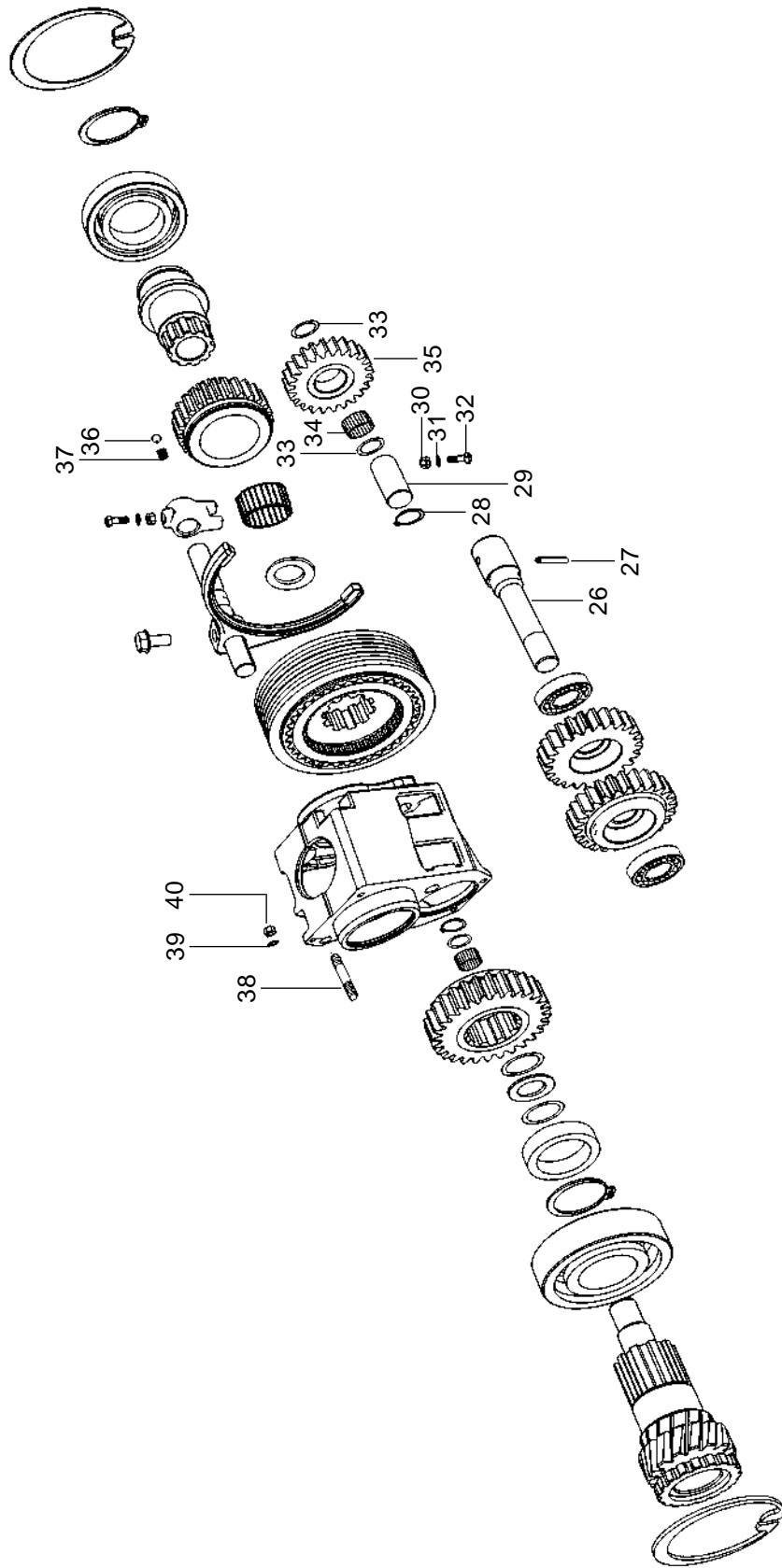
Forward-Reverse Housing Assembly



Forward-Reverse Housing Assembly

Ref.	Description of Part	Unit Quantity per tractor 4WD					Remarks / Service Bulletin No.
		6030		6530		7030	
		RSMa	RSMN	PSMF	PSMA	PSMX	
1	CIRCLIP Drive Shaft Rear 100 x 3.4	-	-	1	1	1	
2	SHAFT Drive Rear	-	-	1	1	1	
3	BEARING Drive Shaft Rear 6309 P Type	-	-	1	1	1	
4	CIRCLIP Drive Shaft Rear 45mm	-	-	2	2	2	
5	GRADED Spacer 45.1 x 55 x 14.0	-	-	1	1	1	
5	GRADED Spacer 45.1 x 55 x 14.2	-	-	1	1	1	
5	GRADED Spacer 45.1 x 55 x 14.4	-	-	1	1	1	
5	GRADED Spacer 45.1 x 55 x 14.6	-	-	1	1	1	
6	WASHER Thrust	-	-	1	1	1	
7	AXIAL Thrust Bearing	-	-	1	1	1	
7a	GEAR Output Fwd/Rev	-	-	1	1	1	
7b	NEEDLE Roller Bearing 20 x 25 x 20	-	-	1	1	1	
7C	SPACER	-	-	1	1	1	
8	CIRCLIP External Cam 20 Dia.	-	-	1	1	1	
8a	FWD/REV. Housing	-	-	1	1	1	
9	SYNCHRO Pack Single Cone Fwd/Rev	-	-	1	1	1	
10	FORK Forward/Reverse	-	-	1	1	1	
11	RAIL Forward/Reverse	-	-	1	1	1	
12	HEX. Bolt Forward/Reverse	-	-	1	1	1	
13	SECTION Shifter High-Low Side Shift	-	-	1	1	1	
14	GRUB Screw	-	-	1	1	1	
15	LOCK Plate	-	-	1	1	1	
16	NUT	-	-	1	1	1	
17	SPACER Gear Input	-	-	1	1	1	
18	NEEDLE Bearing Input Gear B505530	-	-	1	1	1	
19	GEAR Input Forward/Reverse 26 T	-	-	1	1	1	
20	SHAFT Driving Main Center	-	-	1	1	1	
21	BEARING Ball 6211	-	-	1	1	1	
22	CIRCLIP	-	-	1	1	1	
23	BALL Bearing 6005 Cluster Gear	-	-	1	1	1	
24	GEAR Cluster 24 – 25 T	-	-	1	1	1	
25	BALL Bearing 6004 Cluster Gear	-	-	1	1	1	

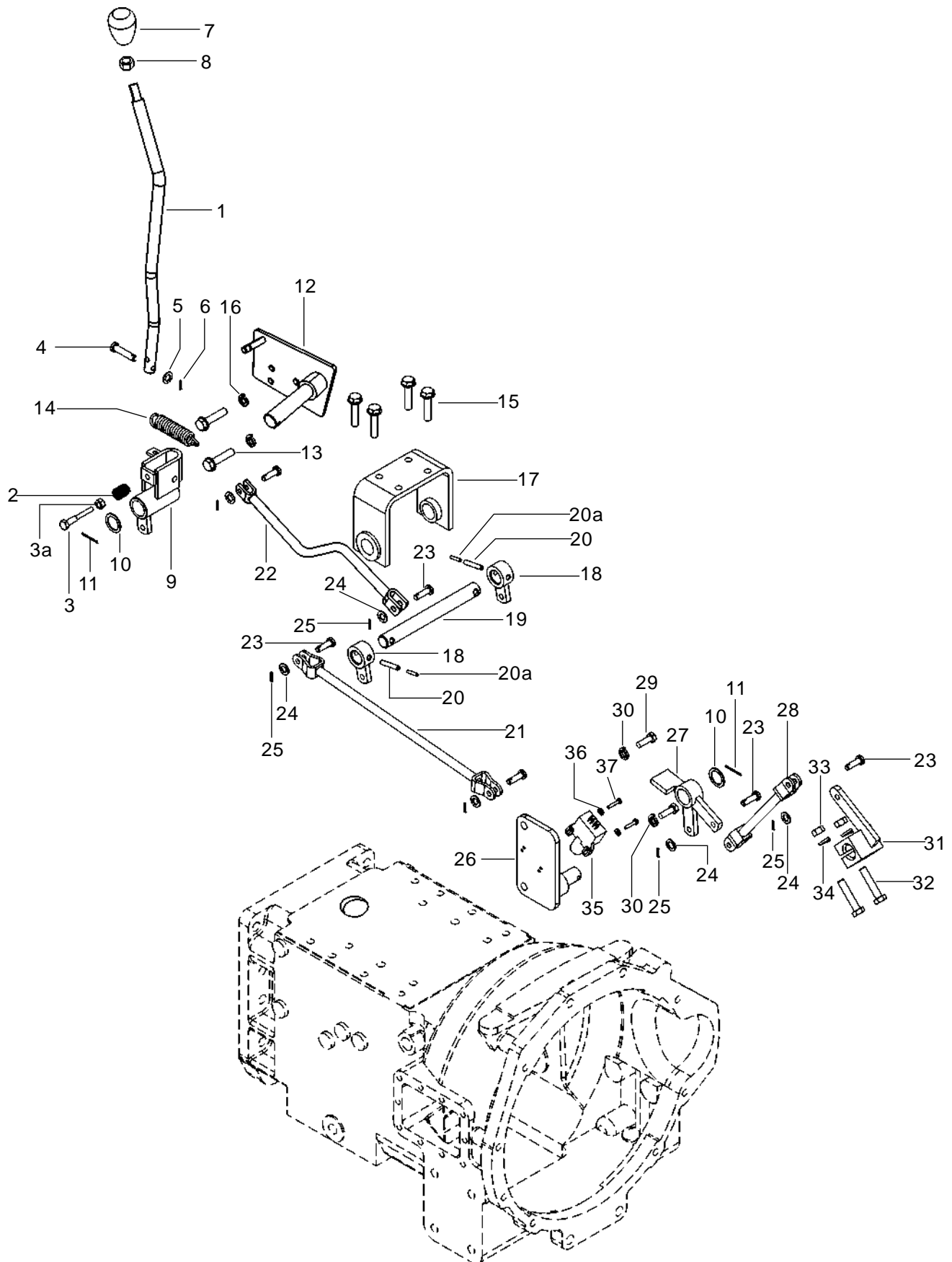
Forward-Reverse Housing Assembly



Forward-Reverse Housing Assembly

Ref.	Description of Part	Unit Quantity per tractor 4WD					Remarks / Service Bulletin No.
		6030		6530		7030	
		R SMA	R SMN	P SMF	P SMA	P SMX	
26	SHAFT Cluster Gear	-	-	1	1	1	
27	ROLL Pin	-	-	1	1	1	
28	CIRCLIP	-	-	1	1	1	
29	SHAFT Reverse Idler Gear Forward/Revese	-	-	1	1	1	
30	NUT	-	-	1	1	1	
31	LOCK Plate	-	-	1	1	1	
32	GRUB Screw	-	-	1	1	1	
33	SPACER Idler Gear	-	-	2	2	2	
34	NRB Bearing	-	-	1	1	1	
35	GEAR Idler 24 T	-	-	1	1	1	
36	BALL (Poppet)	-	-	1	1	1	
37	SPRING (Poppet)	-	-	1	1	1	
38	STUD	-	-	1	1	1	
39	WASHER Spring	-	-	1	1	1	
40	NUT	-	-	1	1	1	

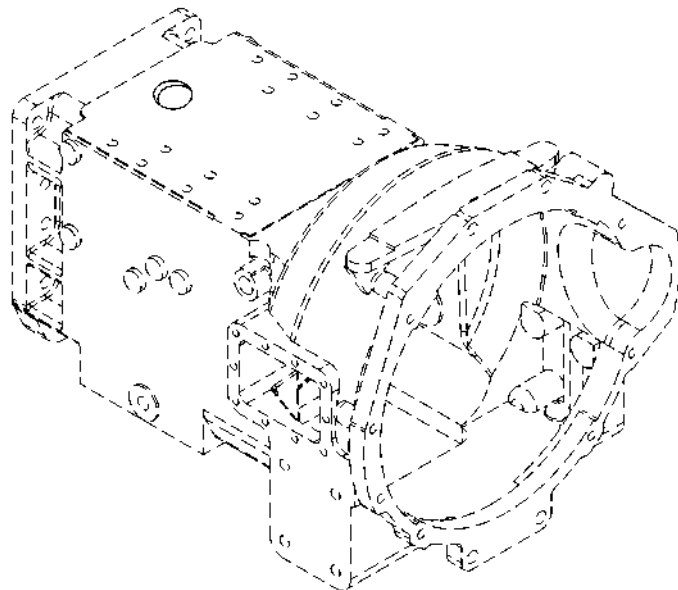
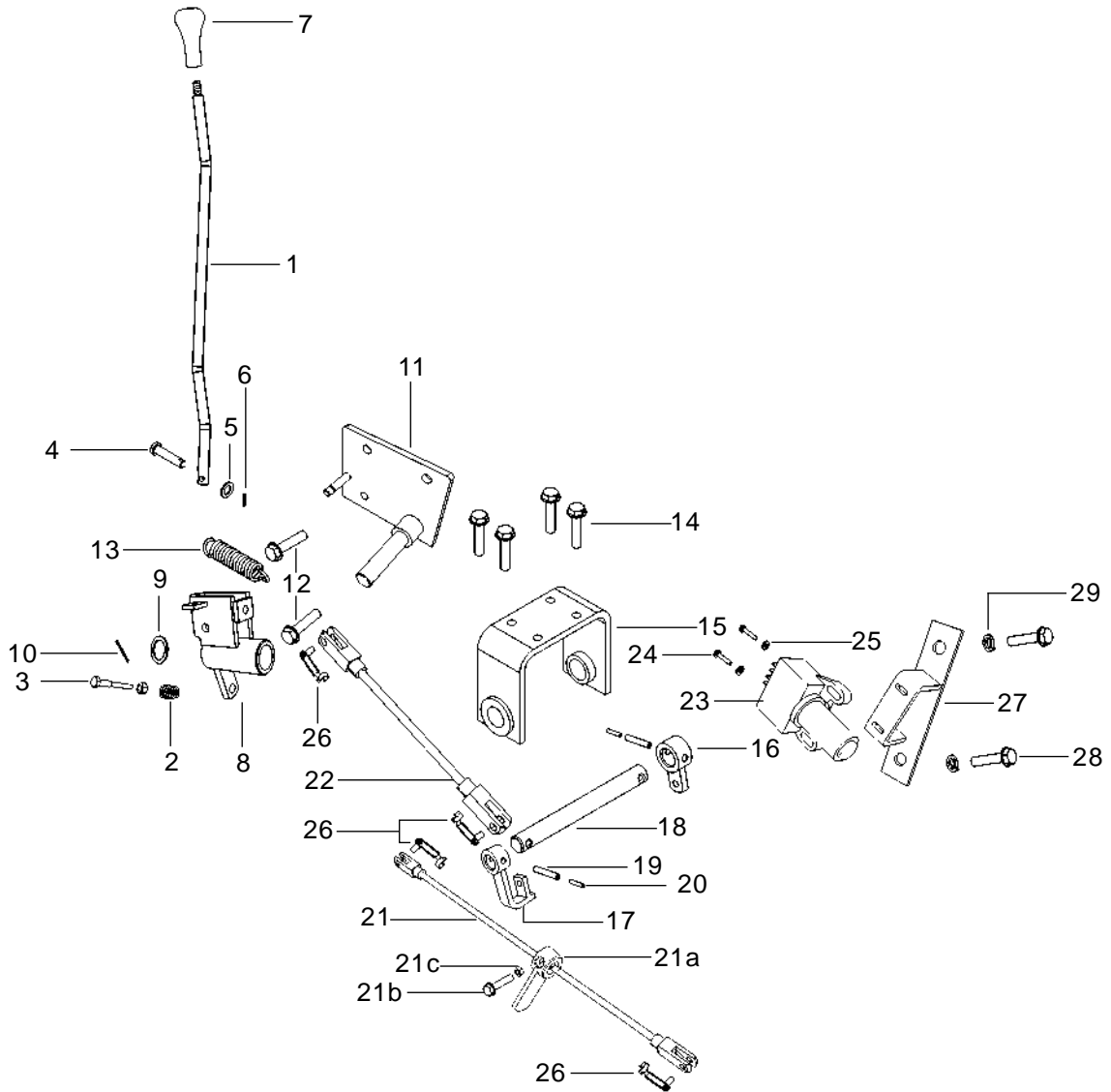
IPTO Mechanism



IPTO Mechanism

Ref.	Description of Part	Unit Quantity per tractor 4WD					Remarks / Service Bulletin No.
		6030		6530		7030	
		RSMA	RSMN	PSMF	PSMA	PSMX	
1	LEVER Operating IPTO Sideshift	1	1	-	-	-	
2	SPRING PTO Clutch Sleeve	1	1	-	-	-	
3	BOLT Guide Spring	1	1	-	-	-	
4	PIN Clevis Dia. 9	1	1	-	-	-	
5	WASHER Plain M10	1	1	-	-	-	
6	PIN Cotter 3/32" x 1"	1	1	-	-	-	
7	KNOB PTO Operating Lever	1	1	-	-	-	
8	NUT M12 x 1.5 Main, Hi-Low, PTO Knob	1	1	-	-	-	
9	ASSEMBLY Sleeve Main IPTO Rear	1	1	-	-	-	
10	WASHER Plain 0.834 x 1.25 x 0.60	2	2	-	-	-	
11	PIN Cotter 3/16 x 2	2	2	-	-	-	
12	BRACKET Sleeve IPTO Side-shift	1	1	-	-	-	
13	BOLT Flanged Head M10 x 1.5 x 35	3	3	-	-	-	
14	RETURN Spring	1	1	-	-	-	
15	BOLT Flanged Hex. Head M10 x 1.5 x 25	4	4	-	-	-	
16	WASHER M10 Spring Lock	4	4	-	-	-	
17	ASSY BRACKET IPTO Shaft Rear	1	1	-	-	-	
18	LEVER Actuating IPTO Rear	2	2	-	-	-	
19	SHAFT Act. IPTO Rear	1	1	-	-	-	
20	ROLL PIN 0.250" x 1.4"	2	2	-	-	-	
20a	PIN SLOTTED	2	2	-	-	-	
21	LINK IPTO Clutch Lower	1	1	-	-	-	
22	LINK IPTO Clutch Rear	1	1	-	-	-	
23	PIN Rod End	6	6	-	-	-	
24	WASHER Plain .343 x .687 x .051	6	6	-	-	-	
25	PIN COTTER 3/32 x 1"	6	6	-	-	-	
26	BRACKET Act. Lever IPTO Front Sideshift	1	1	-	-	-	
27	ASSEMBLY LEVER Act. IPTO Front	1	1	-	-	-	
28	LINK IPTO Clutch Front	1	1	-	-	-	
29	BOLT 3/8 UNC x 7/8" Hex. Hd	2	2	-	-	-	
30	WASHER 3/8" Spring Lock	2	2	-	-	-	
31	LEVER Clutch Shaft IPTO	1	1	-	-	-	
32	BOLT 3/8" UNF x 2 Hex. Head	2	2	-	-	-	
33	NUT Clutch Pedal	2	2	-	-	-	
34	WASHER 3/8" Spring Lock	2	2	-	-	-	
35	SWITCH IPTO	1	1	-	-	-	
36	WASHER Plain M4	2	2	-	-	-	
37	SCREW Philips Head M4 x 20	2	2	-	-	-	

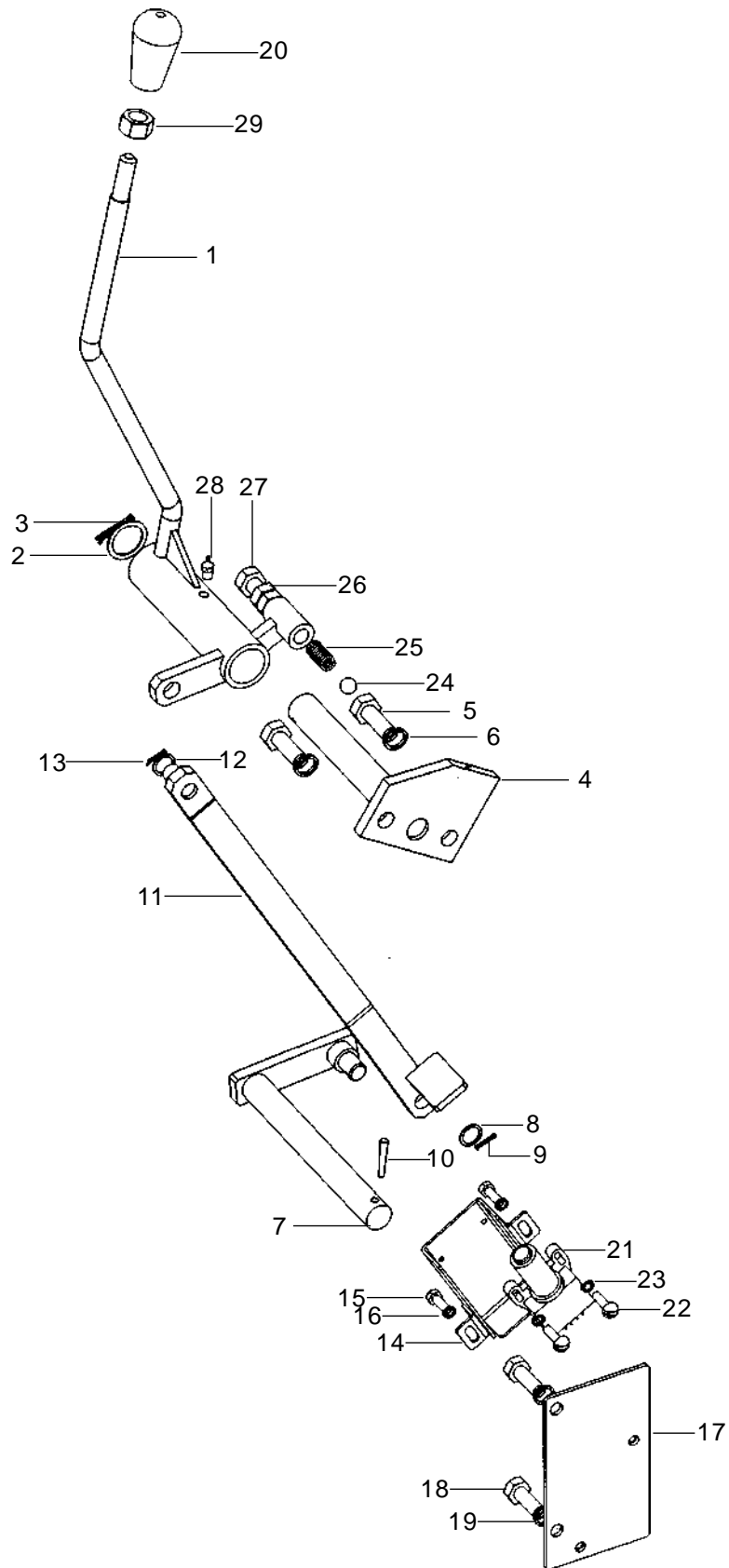
SLPTO Mechanism



SLPTO Mechanism

Ref.	Description of Part	Unit Quantity per tractor 4WD					Remarks / Service Bulletin No.
		6030		6530		7030	
		RSMA	RSMN	PSMF	PSMA	PSMX	
1	LEVER Operating SLPTO Sideshift	-	-	1	1	1	
2	SPRING PTO Clutch Sleeve	-	-	1	1	1	
3	BOLT Guide Spring	-	-	1	1	1	
4	PIN Clevis Dia. 9	-	-	1	1	1	
5	WASHER Plain M10	-	-	1	1	1	
6	PIN Cotter 3/32" x 1"	-	-	1	1	1	
7	KNOB IPTO Operating Lever	-	-	1	1	1	
8	ASSEMBLY Sleeve Main SLPTO Rear	-	-	1	1	1	
9	WASHER Plain 0.834 x 1.25 x 0.60	-	-	2	2	2	
10	PIN Cotter 3/16 x 2	-	-	2	2	2	
11	BRACKET Sleeve SLPTO Side-shift	-	-	1	1	1	
12	BOLT Flanged Head M10 x 1.5 x 35	-	-	3	3	3	
13	RETURN Spring	-	-	1	1	1	
14	BOLT Flanged Hex. Head M10 x 1.5 x 25	-	-	4	4	4	
15	ASSEMBLY BRACKET IPTO Shaft Rear	-	-	1	1	1	
16	CLAVIS SLPTO Fenderside	-	-	1	1	1	
17	CLAVIS SLPTO Transcase side	-	-	1	1	1	
18	SHAFT Act. IPTO Rear	-	-	1	1	1	
19	ROLL PIN 0.250" x 1.4"	-	-	2	2	2	
20	PIN SLOTTED	-	-	2	2	2	
21	LINK SLPTO Front	-	-	1	1	1	
21a	└─▶ LINK Neutral Switch	-	-	1	1	1	
21b	└─▶ BOLT M8 x 1.25 x 20 mm	-	-	1	1	1	
21C	└─▶ NUT M8 x 1.25	-	-	1	1	1	
22	LINK SLPTO Rear	-	-	1	1	1	
23	SWITCH IPTO	-	-	1	1	1	
24	WASHER Plain M4	-	-	2	2	2	
25	SCREW Philips Head M4 x 20	-	-	2	2	2	
26	YOKE Lock Pin	-	-	4	4	4	
27	NEUTRAL Switch Mounting Bracket	-	-	1	1	1	
28	BOLT 3/8" UNC x 3/4"	-	-	2	2	2	
29	WASHER Spring 3/8"	-	-	2	2	2	

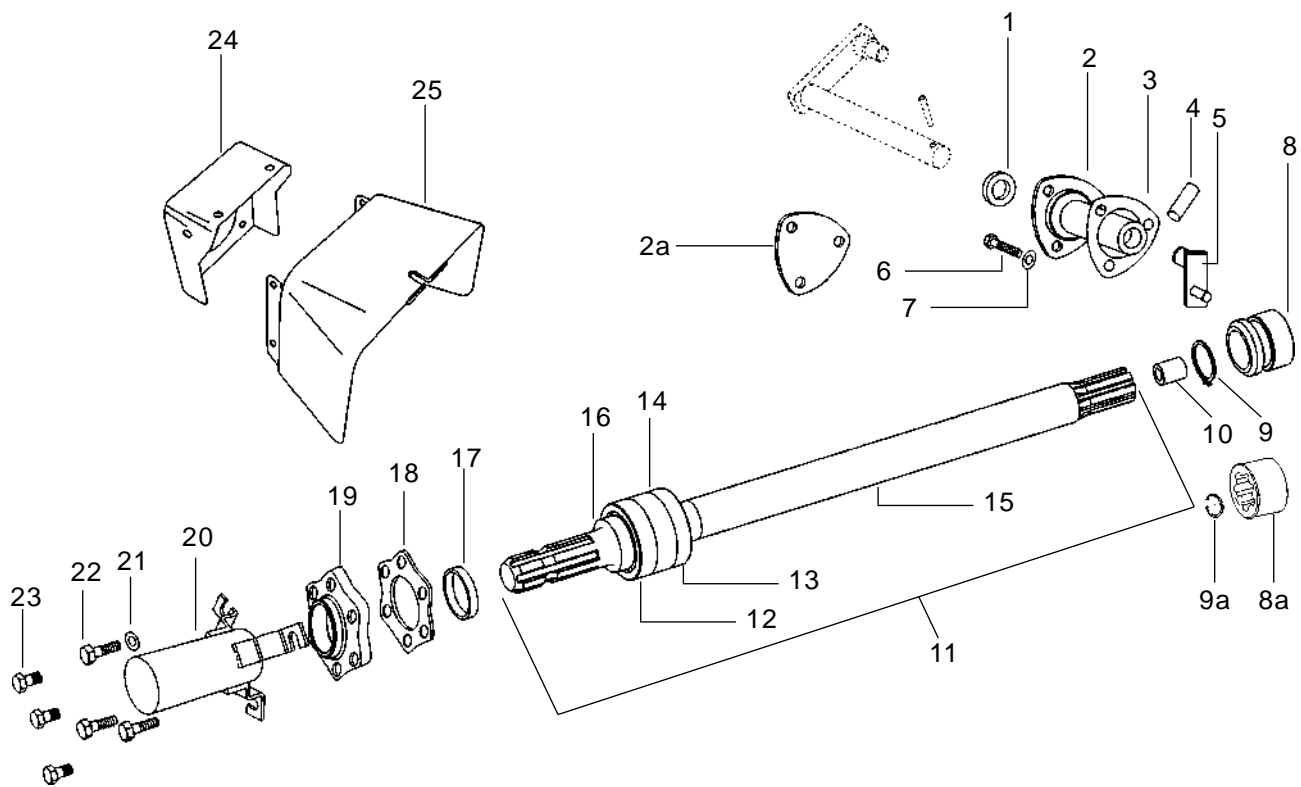
PTO Lever Assembly



PTO Lever Assembly

Ref.	Description of Part	Unit Quantity per tractor 4WD					Remarks / Service Bulletin No.
		6030		6530		7030	
		RSMA	RSMN	PSMF	PSMA	PSMX	
1	PTO Lever Complete	1	1	-	-	-	
2	WASHER Plain 0.843 x 1.250 x 0.060	1	1	-	-	-	
3	PIN Cotter G3.175 mm x 44.45 mm	1	1	-	-	-	
4	BRACKET for PTO Lever	1	1	-	-	-	
5	BOLT 3/8" UNC x 1-7/8 ZNC	-	2	-	-	-	
6	WASHER G9.525mm Spring Lock	-	2	-	-	-	
7	PTO Shifter Shaft	1	1	-	-	-	
8	WASHER Plain 0.531 x 1.060 x 0.074	1	1	-	-	-	
9	PIN Cotter 3/32" x 1"	1	1	-	-	-	
10	PIN Groove 3/16 x 1 1/4	1	1	-	-	-	
11	CONNECTING Link	1	1	-	-	-	
12	WASHER Plain 0.531 x 1.060 x 0.074	1	1	-	-	-	
13	PIN Cotter 3/32" x 1"	1	1	-	-	-	
14	GUARD PTO Neutral Switch	1	1	-	-	-	
15	HEX. Bolt M6 x 15 Lg.	2	2	-	-	-	
16	SPRING Washer for M6 Bolts	2	2	-	-	-	
17	NEUTRAL Switch Mounting Plate	1	1	-	-	-	
18	BOLT 3/8 UNC x 3/4 Hex. Head	2	2	-	-	-	
19	WASHER G9.525 mm Spring Lock	2	2	-	-	-	
20	KNOB	1	1	-	-	-	
21	NEUTRAL Switch	1	1	-	-	-	
22	PHILIPS Head Screw M4 x 20	2	2	-	-	-	
23	PLAIN Washer M4	2	2	-	-	-	
24	BALL 13/32"	1	1	-	-	-	
25	SPRING	1	1	-	-	-	
26	LOCK Nut M10	1	1	-	-	-	
27	BOLT M10	1	1	-	-	-	
28	GREASE Nipple Straight	1	1	-	-	-	
29	NUT M12	1	1	-	-	-	

Rear PTO Shaft & Operating Lever



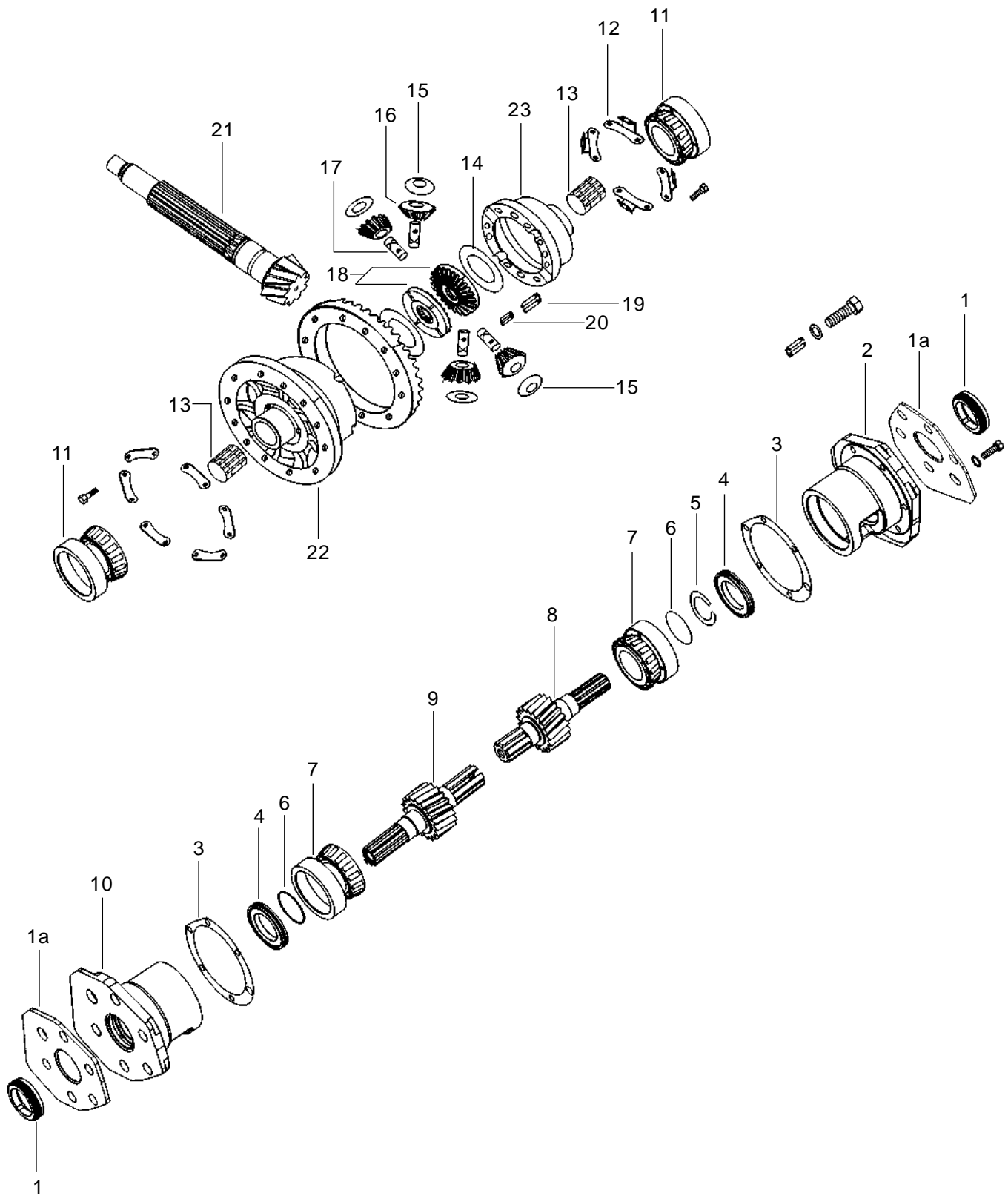
Rear PTO Shaft & Operating Lever

Ref.	Description of Part	Unit Quantity per tractor 4WD					Remarks / Service Bulletin No.
		6030		6530		7030	
		RSMA	RSMN	PSMF	PSMA	PSMX	
1	OIL Seal	1	1	1	1	1	
2	BRACKET PTO Shifter	1	1	-	-	-	
2a	PLATE PTO Shifter Hole Cover	-	-	1	1	1	
3	GASKET PTO Shifter Shaft	1	1	1	1	1	
4	PIN Groove 3/16" x 11/4"	1	1	-	-	-	
5	SHIFTER PTO Shaft	1	1	-	-	-	
6	BOLT 3/8" x 7/8" Hex.Head	3	3	3	3	3	
7	WASHER 3/8" Spring Lock	3	3	3	3	3	
8	CLUTCH PTO	1	1	-	-	-	
8a	COUPLING PTO Shaft	-	-	1	1	1	
9	CIRCLIP External PTO Shaft	1	1	-	-	-	
9a	CIRCLIP PTO Coupling 40 mm	-	-	1	1	1	
10	BUSH PTO Shaft Rear	1	1	-	-	-	
11	PTO Shaft Assembly with Collar for CRPTO Consist of	1	1	1	1	1	
12	▶ BEARING PTO Shaft	1	1	1	1	1	
13	▶ BEARING	1	1	1	1	1	
14	▶ SPACER PTO Shaft Bearing	1	1	1	1	1	
15	▶ PTO Shaft	1	1	1	1	1	
16	▶ COLLAR	2	2	2	2	2	
17	OIL Seal PTO Shaft	1	1	1	1	1	
18	GASKET PTO Oil Seal Retainer	1	1	1	1	1	
19	RETAINER , PTO Oil Seal	1	1	1	1	1	
20	CAP Safety PTO	1	1	1	1	1	
21	WASHER Special PTO Cap	3	3	3	3	3	
22	BOLT 5/16" x 1-1/8" Hex. Hd. (PTO Retainer-Transcase)	3	3	3	3	3	
23	BOLT PTO Cap	3	3	3	3	3	
24	BRACKET Shield PTO Shaft	1	-	1	1	1	
25	SHIELD Flip Type for PTO Shaft	1	-	1	1	1	

DIFFERENTIAL & REAR AXLE

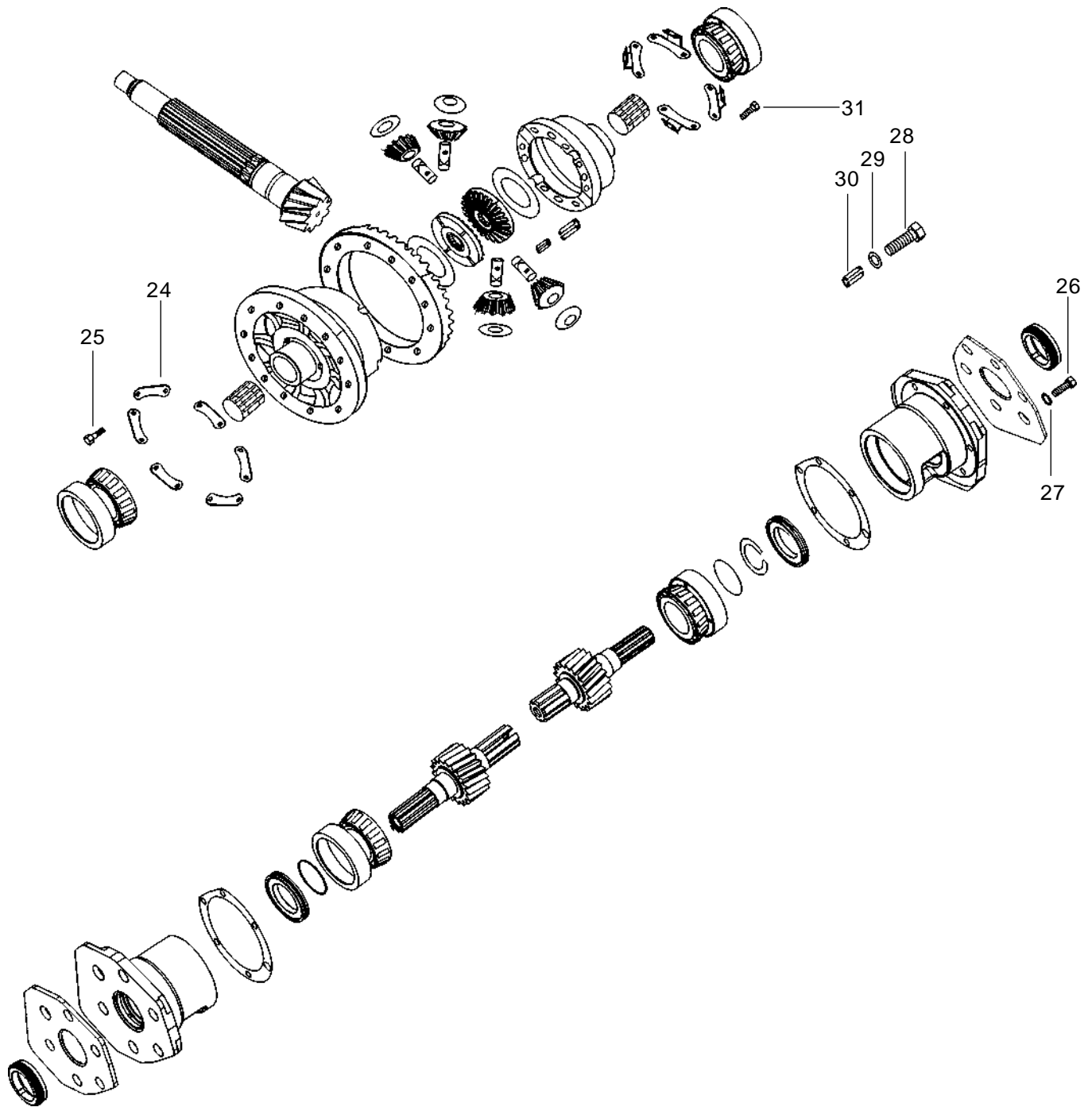
Differential	118 - 121
Differential Lock	122 - 123
Rear Axle Carrier & Rear Axle	124 - 125

Differential



Ref.	Description of Part	Unit Quantity per tractor 4WD					Remarks / Service Bulletin No.
		6030		6530		7030	
		RSMA	RSMN	PSMF	PSMA	PSMX	
1	LOCK Nut Bull Cage	2	2	2	2	2	
1a	GASKET	2	2	2	2	2	
2	CAGE Bearing Bull Pinion Shaft LH	1	1	1	1	1	
3	SHIM Bull Pinion Bearing Cage (0.004")	A/R	A/R	A/R	A/R	A/R	
3	SHIM Bull Pinion Bearing Cage (0.007")	A/R	A/R	A/R	A/R	A/R	
3	SHIM Bull Pinion Bearing Cage (0.015")	A/R	A/R	A/R	A/R	A/R	
4	ADAPTOR Bull Cage	2	2	2	2	2	
5	RING Backup	2	2	2	2	2	
6	O' RING Bull Cage Adapter	2	2	2	2	2	
7	TAPER Roller Bearing Bull Cage	2	2	2	2	2	
8	SHAFT Bull Pinion & Brake LH	1	1	-	-	-	
8	SHAFT Bull Pinion & Brake LH	-	-	1	1	1	
9	SHAFT Bull Pinion & Brake RH	1	1	-	-	-	
9	SHAFT Bull Pinion & Brake RH	-	-	1	1	1	
10	CAGE Bearing Bull Pinion Shaft RH	1	1	1	1	1	
11	BEARING Taper Roller Differential	2	2	2	2	2	
12	WASHER Lock	4	4	4	4	4	
13	BEARING Needle Roller for Bull Shaft	2	2	2	2	2	
14	WASHER Differential Bevel Gear	2	2	2	2	2	
15	WASHER Differential Bevel Pinion	4	4	4	4	4	
16	BEVEL Pinion Differential	4	4	4	4	4	
17	SHAFT Differential	4	4	4	4	4	
18	BEVEL Gear - Differential	2	2	2	2	2	
19	PIN Roll 5/16" x 1-1/4"	4	4	4	4	4	
20	PIN Roll Constant Mesh	4	4	4	4	4	
21	SET of Two	1	1	-	-	-	
21	SET of Two	-	-	1	1	1	
A	DIFFERENTIAL Case Assembly LH & RH	1	1	-	-	-	
22	└─▶ DIFFERENTIAL Case RH	1	1	-	-	-	
23	└─▶ DIFFERENTIAL Case LH	1	1	-	-	-	
B	DIFFERENTIAL Case Assembly LH & RH	-	-	1	1	1	
22	└─▶ DIFFERENTIAL Case RH	-	-	1	1	1	
23	└─▶ DIFFERENTIAL Case LH	-	-	1	1	1	

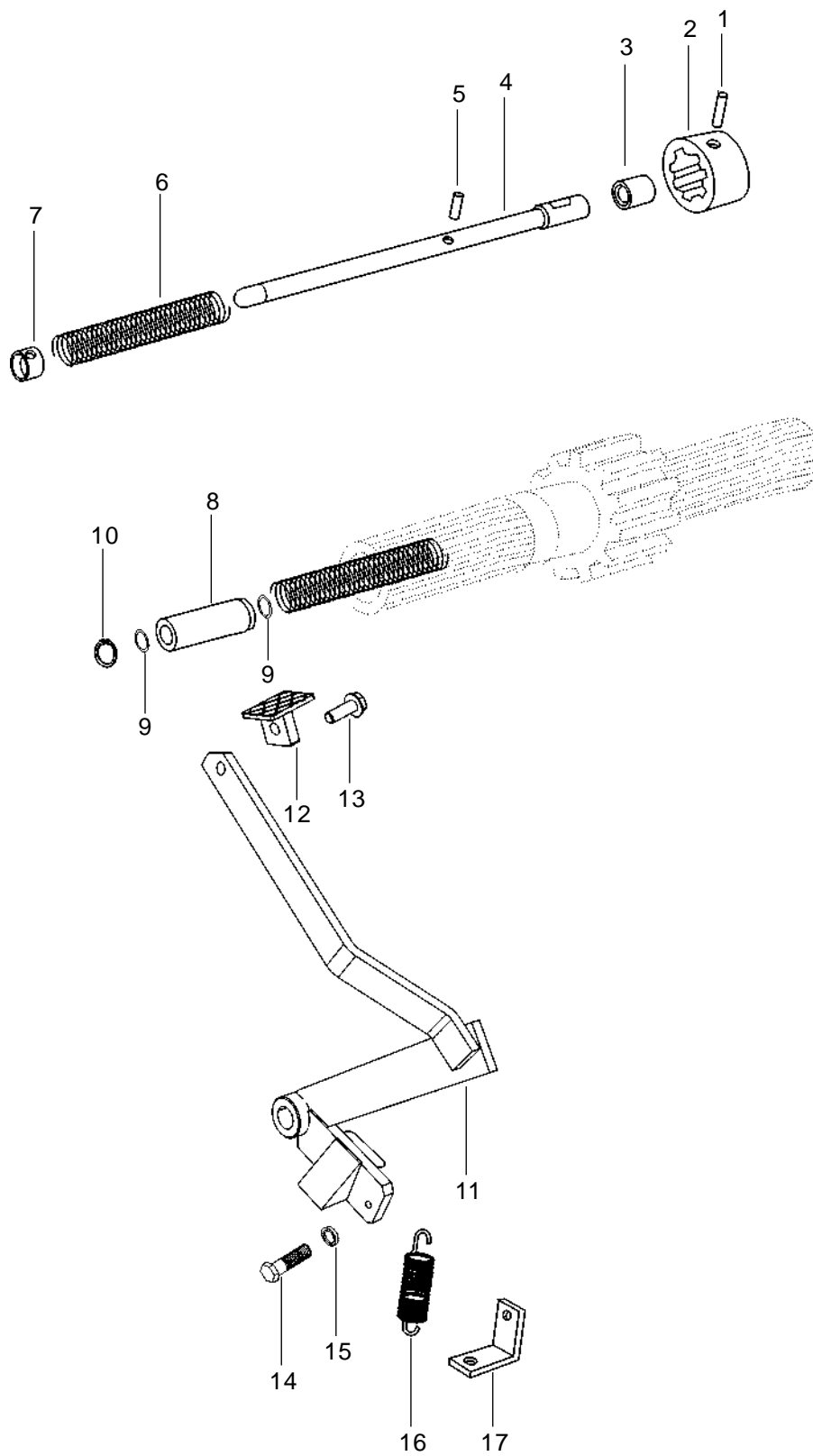
Differential



Differential

Ref.	Description of Part	Unit Quantity per tractor 4WD					Remarks / Service Bulletin No.
		6030		6530		7030	
		RSMA	RSMN	PSMF	PSMA	PSMX	
24	LOCK Plate Bevel Gear Retaining Bolt	6	6	6	6	6	
25	BOLT Retaining Drive Bevel Gear 7/16" UNC	12	12	12	12	12	
26	BOLT Bull Pinion Bearing Cage 7/16" UNC Hex. Head	10	10	10	10	10	
27	WASHER Bull Pinion Shaft Bearing Cage	10	10	10	10	10	
28	BOLT Roll Pin 7/16" UNC Hex. Head	2	2	2	2	2	
29	WASHER Roll Pin Bolt	2	2	2	2	2	
30	PIN Roll	2	2	2	2	2	
31	BOLT Hex. Head 3/8" x 1/2"	8	8	8	8	8	

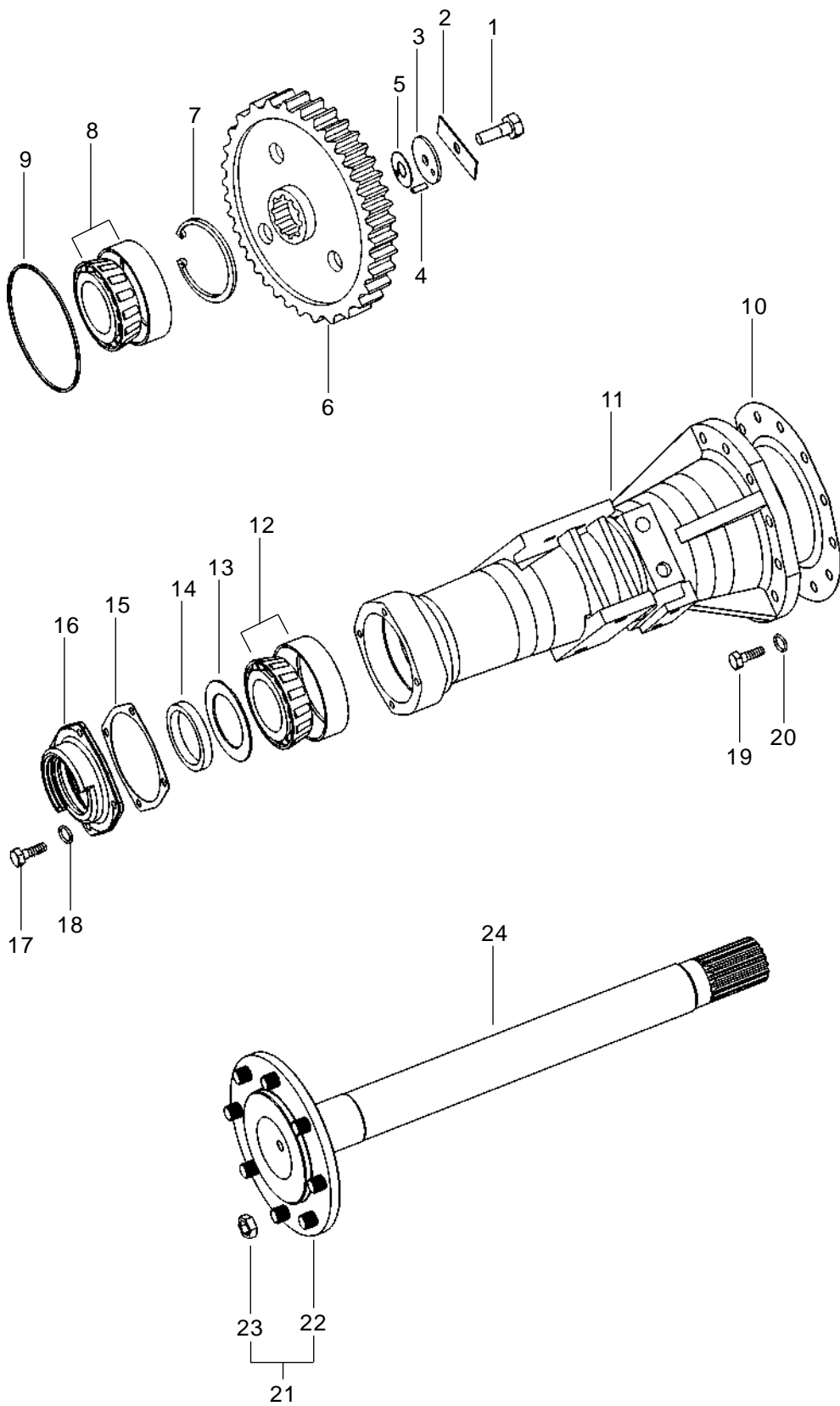
Differential Lock



Differential Lock

Ref.	Description of Part	Unit Quantity per tractor 4WD					Remarks / Service Bulletin No.
		6030		6530		7030	
		RSMA	RSMN	PSMF	PSMA	PSMX	
1	PIN Slotted Spring	1	1	1	1	1	
2	CLUTCH Differential Lock	1	1	1	1	1	
3	DISTANCE Piece Differential Lock	1	1	1	1	1	
4	SHAFT Differential Lock	1	1	1	1	1	
5	PIN Dowel 3/16" x 3/4"	1	1	1	1	1	
6	SPRING Differential Lock	2	2	2	2	2	
7	COLLAR Differential Lock Shaft	1	1	1	1	1	
8	RETAINER Differential Lock Shaft O' Ring	1	1	1	1	1	
9	O' RING Diff Lock Shaft (Inner)	2	2	2	2	2	
10	CIRCLIP External	1	1	1	1	1	
11	DIFFERENTIAL Lock Lever	1	1	1	1	1	
12	PAD Differential Lock Pedal Side-Shift	1	1	1	1	1	
13	BOLT Flanged Hex. Head M10 x 1.5 x 25	1	1	1	1	1	
14	BOLT Pivot Differential Lock	1	1	1	1	1	
15	WASHER Plain 0.781 x 1.187 x 0.06	2	2	2	2	2	
16	SPRING Return Differential Lock Lever	1	1	1	1	1	
17	PLATE Anchor Differential Lock Lever Return Spring	1	1	1	1	1	

Rear Axle Carrier & Rear Axle



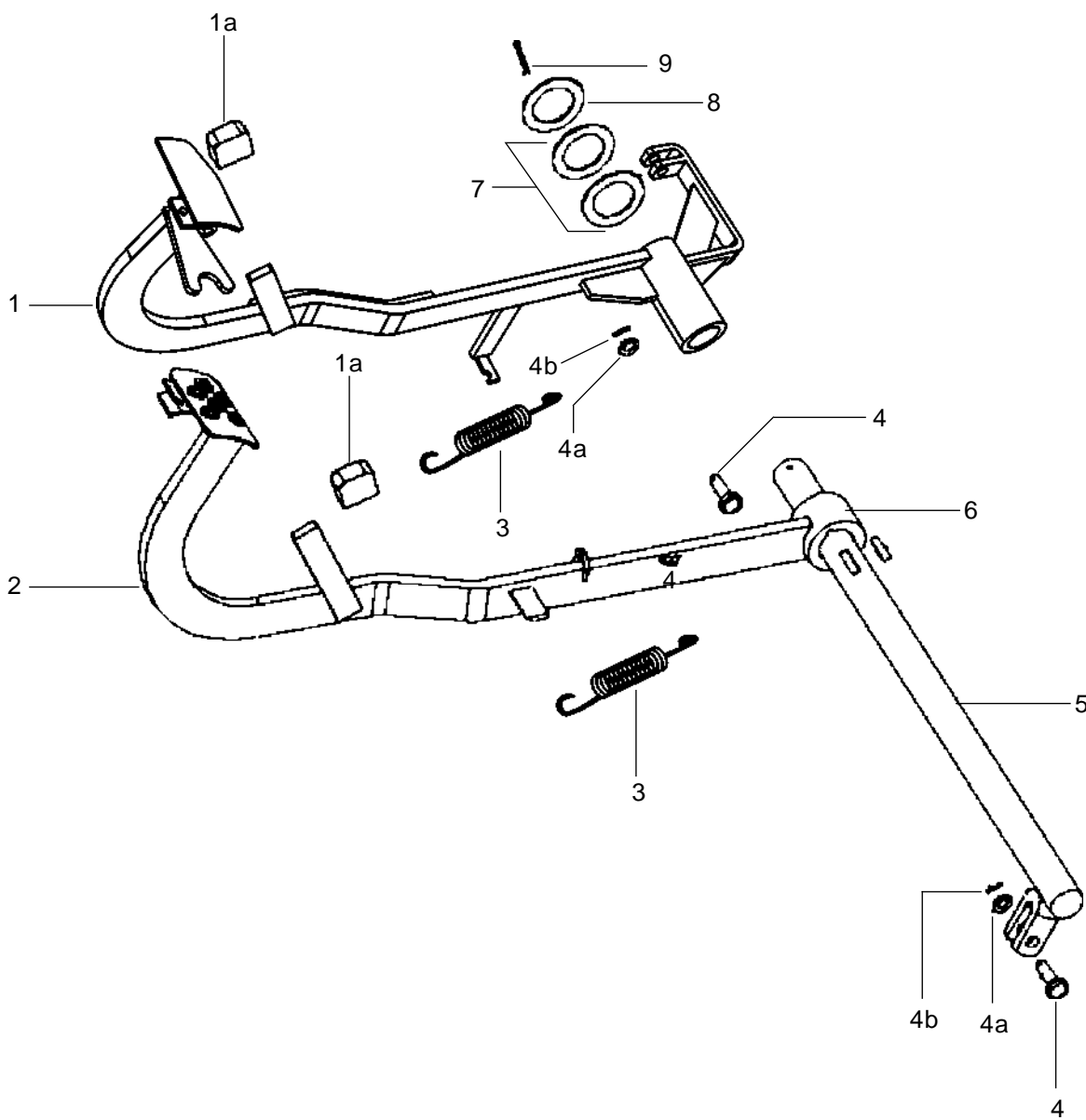
Rear Axle Carrier & Rear Axle

Ref.	Description of Part	Unit Quantity per tractor 4WD					Remarks / Service Bulletin No.
		6030		6530		7030	
		RSMA	RSMN	PSMF	PSMA	PSMX	
1	BOLT 3/4" UNF x 1-5/8"	2	2	2	2	2	
2	LOCK PLATE Bull Gear (1 Bolt)	2	2	2	2	2	
3	WASHER Bull Gear Retaining	2	2	2	2	2	
4	ROLL PIN Bull Gear Retaining Washer	2	2	2	2	2	
5	SHIM Bull Gear 0.005"	A/R	A/R	A/R	A/R	A/R	
5	SHIM Bull Gear 0.015"	A/R	A/R	A/R	A/R	A/R	
5	SHIM Bull Gear 0.1"	A/R	A/R	A/R	A/R	A/R	
5	SHIM Bull Gear 1 mm	A/R	A/R	A/R	A/R	A/R	
6	BULL Gear LH	1	1	-	-	-	
6	BULL Gear RH	1	1	-	-	-	
6	BULL Gear LH	-	-	1	1	1	
6	BULL Gear RH	-	-	1	1	1	
7	CIRCLIP Rear Axle	2	2	2	2	2	
8	BEARING Taper Roller Rear Axle Inner	2	2	2	2	2	
9	O' RING Rear Axle Carrier	2	2	2	2	2	
10	GASKET Rear Axle Carrier	2	2	2	2	2	
11	CARRIER Rear Axle LH	1	1	1	1	1	
11	CARRIER Rear Axle RH	1	1	1	1	1	
12	BEARING Taper Roller, Rear Axle Outer	2	2	2	2	2	
13	WASHER Rear Axle Retaining	2	2	2	2	2	
14	OIL SEAL Rear Axle	4	4	4	4	4	
15	GASKET Rear Axle Bearing Retainer	2	2	2	2	2	
16	RETAINER Rear Axle Bearing	2	2	2	2	2	
17	BOLT 3/8" UNC x 7/8" Hex. Head (Retainer Brg)	8	8	8	8	8	
18	WASHER 3/8" Spring Lock (Retainer Brg)	8	8	8	8	8	
19	BOLT (Rear Axle Carrier)1/2" UNC x 1-1/2"	20	20	20	20	20	
20	WASHER 1/2" Spring Lock	20	20	20	20	20	
21	KIT Bolt & Nut Rear Axle	1	1	1	1	1	
22	BOLT Rear Wheel Hub.	16	16	16	16	16	
23	NUT Rear Wheel Hub Bolt	16	16	16	16	16	
24	AXLE Rear	2	2	2	2	2	

BRAKES

Foot Brake Pedals and Linkages	126 - 127
Oil Immersed Brakes LH	128 - 129
Oil Immersed Brakes RH	130 - 131
Hand Brake Assembly	133 - 134

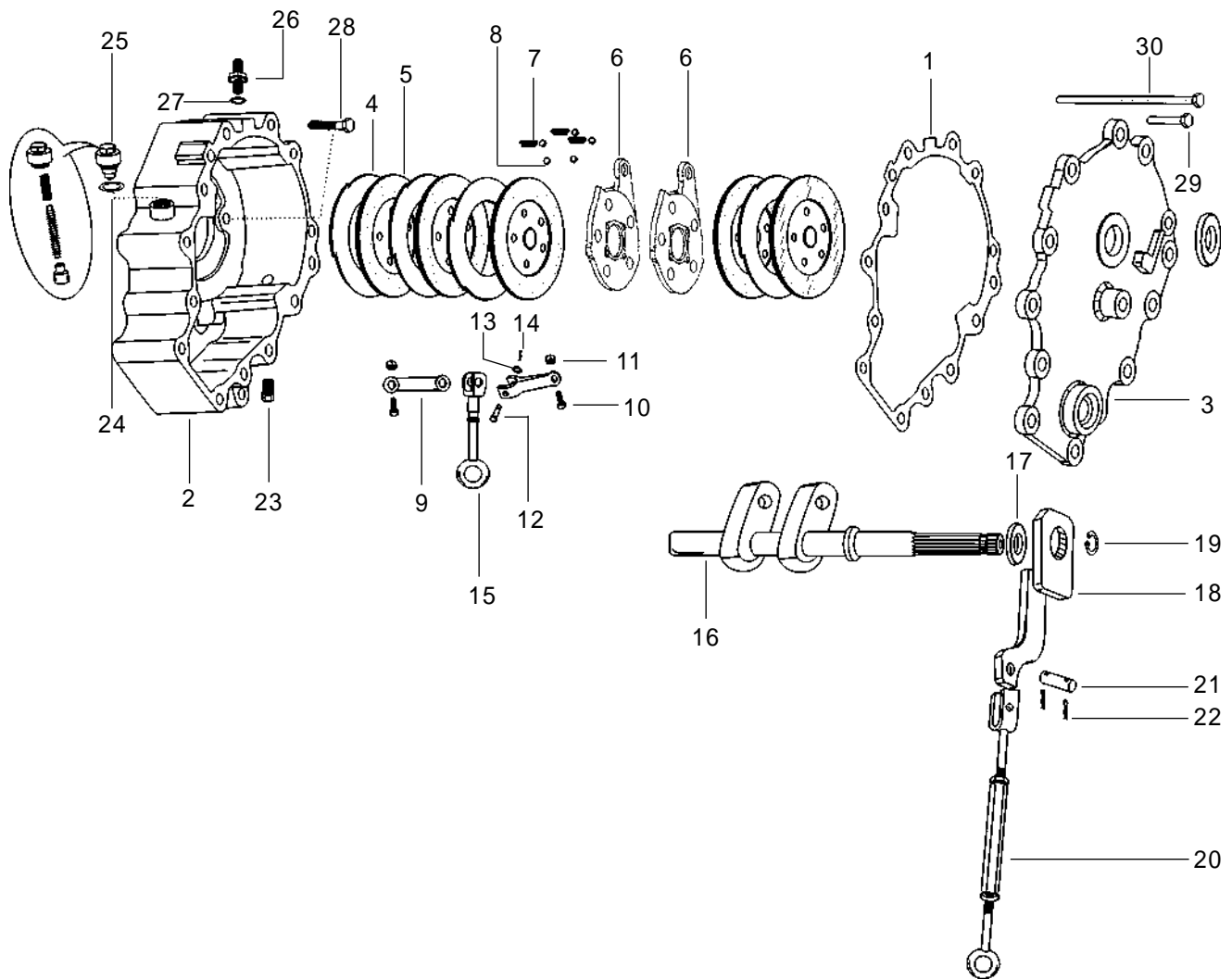
Foot Brake Pedals and Linkages



Foot Brake Pedals and Linkages

Ref.	Description of Part	Unit Quantity per tractor 4WD					Remarks / Service Bulletin No.
		6030		6530		7030	
		R SMA	R SMN	P SMF	P SMA	P SMX	
1	PEDAL Brake RH	1	1	1	1	1	
1a	└▶ PAD Rubber - Brake	1	1	1	1	1	
2	PEDAL Brake LH	1	1	1	1	1	
1a	└▶ PAD Rubber - Brake	1	1	1	1	1	
3	SPRING Brake Pedal Return	2	2	2	2	2	
4	PIN	2	2	2	2	2	
4a	WASHER Plain 0.531 x 1.060 x .074	2	2	2	2	2	
4b	PIN Cotter 3/32" x 1"	2	2	2	2	2	
5	SHAFT	1	1	1	1	1	
6	KEY WOODRUFF 1/4 x 1.1/8	1	1	1	1	1	
7	WASHER Brake	2	2	2	2	2	
8	WASHER Brake Pedal Shaft	1	1	1	1	1	
9	PIN COTTER 3/16 x 2	1	1	1	1	1	

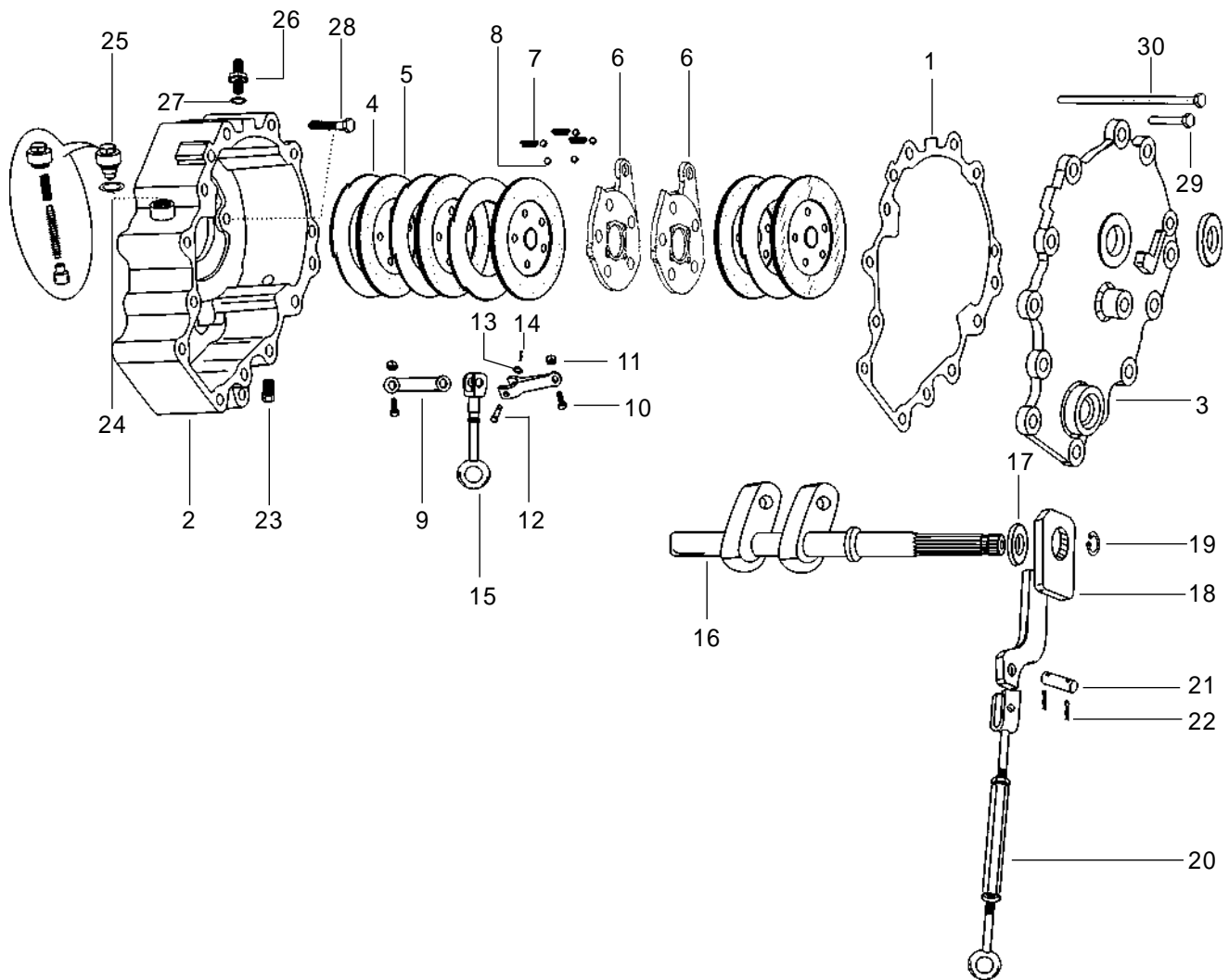
Oil Immersed Brakes LH



Oil Immersed Brakes LH

Ref.	Description of Part	Unit Quantity per tractor 4WD					Remarks / Service Bulletin No.
		6030		6530		7030	
		RSMA	RSMN	PSMF	PSMA	PSMX	
A	BRAKE Assembly LH	1	1	1	1	1	
1	▶ GASKET Brake Housing Brake Cover	1	1	1	1	1	
2	▶ BRAKE Housing LH	1	1	1	1	1	
3	▶ BRAKE Housing Cover LH	1	1	1	1	1	
B	▶ KIT Brake Plates OIB	1	1	1	1	1	
4	▶ PLATE Steel	10	10	10	10	10	
5	▶ PLATE Friction	12	12	12	12	12	
C	▶ KIT Actuating Disc Assembly - OIB	1	1	1	1	1	
6	▶ ACTUATING Disc LH / RH	1	1	1	1	1	
7	▶ SPRING	6	6	6	6	6	
8	▶ BALL	10	10	10	10	10	
9	▶ PLATE Dumbell	2	2	2	2	2	
10	▶ BOLT	4	4	4	4	4	
11	▶ NUT	4	4	4	4	4	
12	▶ PIN Std. Headed	2	2	2	2	2	
13	▶ WASHER	2	2	2	2	2	
14	▶ R PIN Spring	2	2	2	2	2	
15	▶ PUSH Rod	2	2	2	2	2	
16	▶ SHAFT Brake Lever	1	1	1	1	1	
17	▶ OIL Seal	1	1	1	1	1	
18	▶ BRAKE Lever LH	1	1	1	1	1	
19	▶ CIRCLIP	1	1	1	1	1	
20	▶ BRAKE Turn Buckle Complete	1	1	1	1	1	
21	PIN Foot Brake Adjuster	2	2	2	2	2	
22	R PIN Spring	4	4	4	4	4	
23	PLUG Drain	2	2	2	2	2	
C	KIT Adjuster	1	1	1	1	1	
24	▶ GASKET Copper	2	2	2	2	2	
25	▶ ADJUSTER Swing	2	2	2	2	2	
26	MALE Stud Coupling	2	2	2	2	2	
27	WASHER Copper	2	2	2	2	2	
28	BOLT Bull Cage - Brake Housing 1/2"	4	4	4	4	4	
29	BOLT Brake Housing - Brake Cover	16	16	16	16	16	
30	BOLT Bull Cage - Brake Housing	10	10	10	10	10	

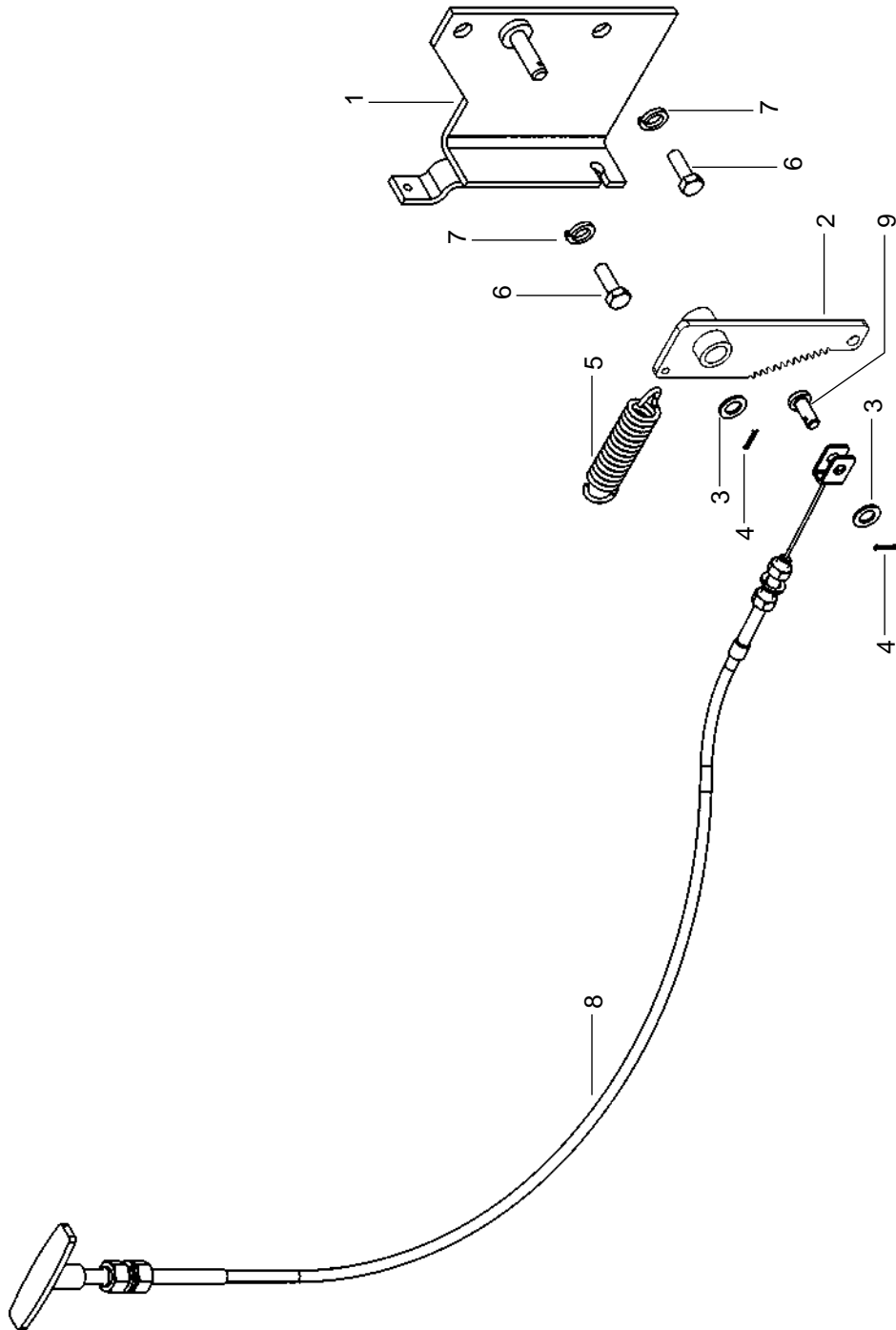
Oil Immersed Brakes RH



Oil Immersed Brakes RH

Ref.	Description of Part	Unit Quantity per tractor 4WD					Remarks / Service Bulletin No.
		6030		6530		7030	
		RSMA	RSMN	PSMF	PSMA	PSMX	
A	BRAKE Assembly RH	1	1	1	1	1	
1	▶ GASKET Brake Housing Brake Cover	1	1	1	1	1	
2	▶ BRAKE Housing RH	1	1	1	1	1	
3	▶ BRAKE Housing Cover RH	1	1	1	1	1	
B	▶ KIT Brake Plates OIB	1	1	1	1	1	
4	▶ PLATE Steel	10	10	10	10	10	
5	▶ PLATE Friction	12	12	12	12	12	
C	▶ KIT Actuating Disc Assembly - OIB	1	1	1	1	1	
6	▶ ACTUATING Disc LH / RH	1	1	1	1	1	
7	▶ SPRING	6	6	6	6	6	
8	▶ BALL	10	10	10	10	10	
9	▶ PLATE Dumbell	2	2	2	2	2	
10	▶ BOLT	4	4	4	4	4	
11	▶ NUT	4	4	4	4	4	
12	▶ PIN Std. Headed	2	2	2	2	2	
13	▶ WASHER	2	2	2	2	2	
14	▶ R PIN Spring	2	2	2	2	2	
15	▶ PUSH Rod	2	2	2	2	2	
16	▶ SHAFT Brake Lever	1	1	1	1	1	
17	▶ OIL Seal	1	1	1	1	1	
18	▶ BRAKE Lever RH	1	1	1	1	1	
19	▶ CIRCLIP	1	1	1	1	1	
20	▶ BRAKE Turn Buckle Complete	1	1	1	1	1	
21	PIN Foot Brake Adjuster	2	2	2	2	2	
22	R PIN Spring	4	4	4	4	4	
23	PLUG Drain	2	2	2	2	2	
C	KIT Adjuster	1	1	1	1	1	
24	▶ GASKET Copper	2	2	2	2	2	
25	▶ ADJUSTER Swing	2	2	2	2	2	
26	MALE Stud Coupling	2	2	2	2	2	
27	WASHER Copper	2	2	2	2	2	
28	BOLT Bull Cage - Brake Housing 1/2"	4	4	4	4	4	
29	BOLT Brake Housing - Brake Cover	16	16	16	16	16	
30	BOLT Bull Cage - Brake Housing	10	10	10	10	10	

Hand Brake Assembly



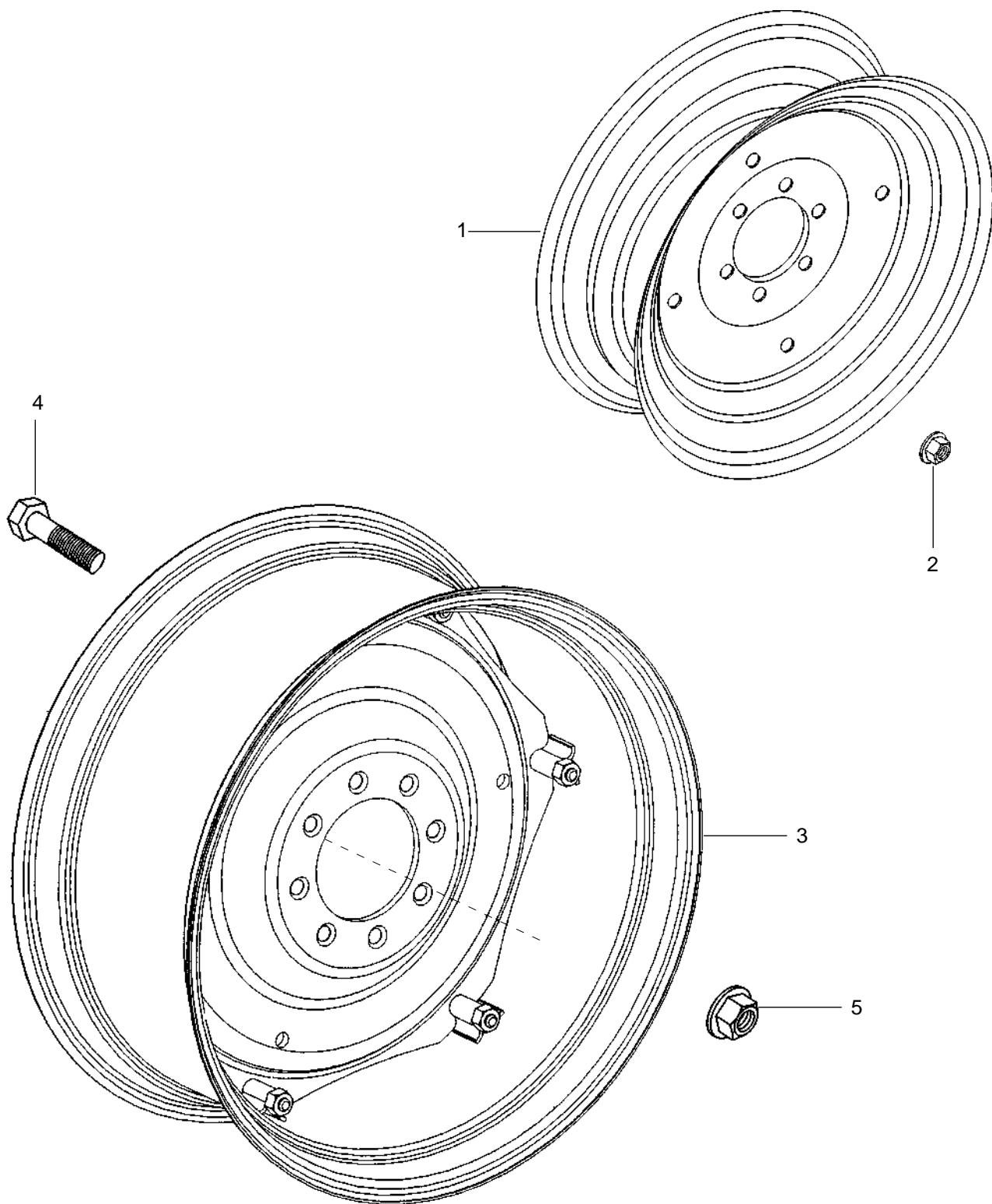
Hand Brake Assembly

Ref.	Description of Part	Unit Quantity per tractor 4WD					Remarks / Service Bulletin No.
		6030		6530		7030	
		RSMA	RSMN	PSMF	PSMA	PSMX	
1	BRACKET Hand Brake Ratchet	1	1	1	1	1	
2	ASSEMBLY Plate Hanbrake Ratchet	1	1	1	1	1	
3	WASHER Plain 0.343 x 0.687 x 0.051	2	2	2	2	2	
4	PIN Cotter 3/32" x 1"	2	2	2	2	2	
5	SPRING Hand Brake	1	1	1	1	1	
6	BOLT 3/8" UNC x 7/8" Hex. Head	2	2	2	2	2	
7	WASHER 3/8" Spring Lock	2	2	2	2	2	
8	HAND Brake Cable Assembly	1	1	1	1	1	
9	PIN Rod End	1	1	1	1	1	

RIM & DISC

Front & Rear Wheel Rim & Disc 134 - 135

Front & Rear Wheel Rim & Disc



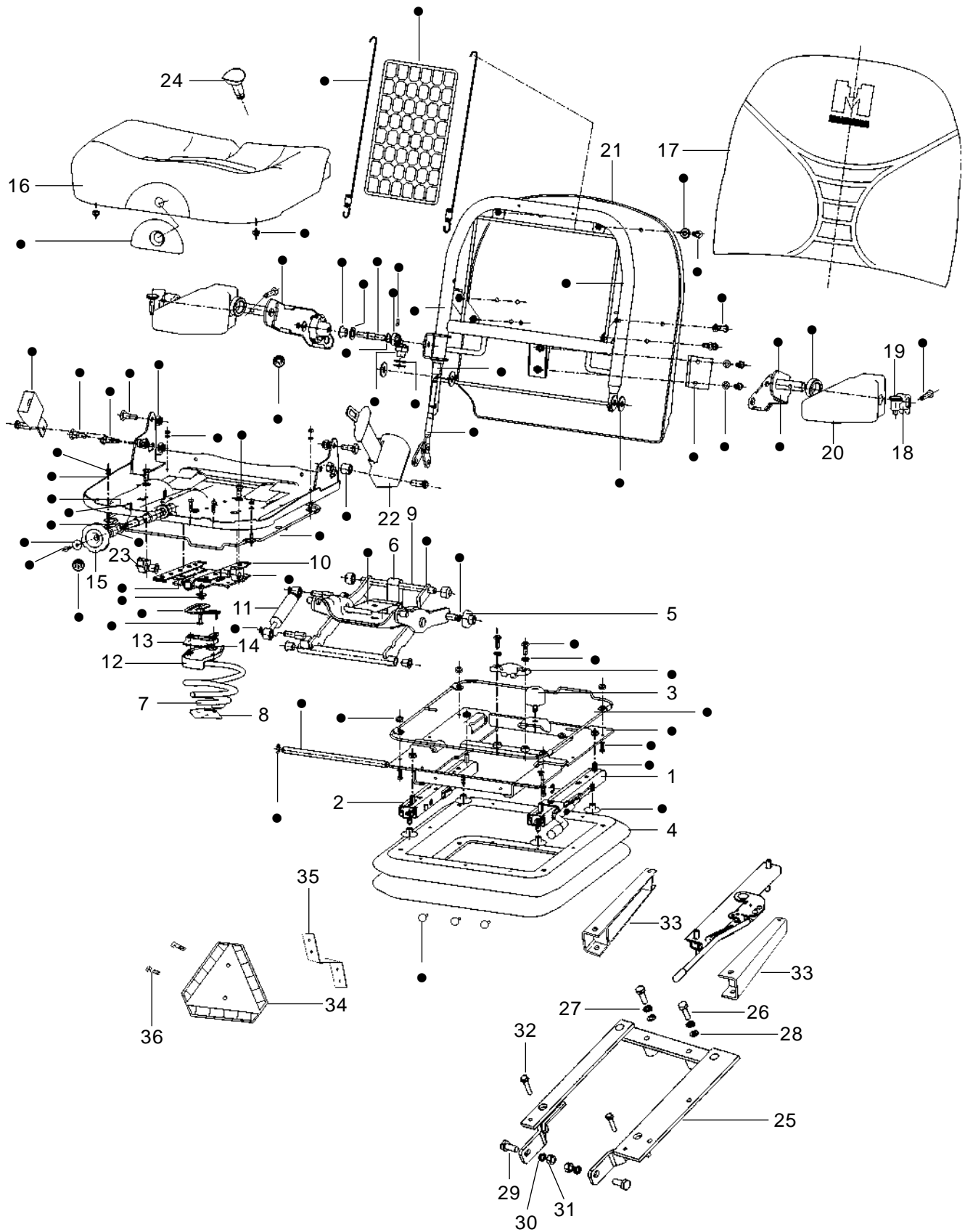
Front & Rear Wheel Rim & Disc

Ref.	Description of Part	Unit Quantity per tractor 4WD					Remarks / Service Bulletin No.
		6030		6530		7030	
		RSMA	RSMN	PSMF	PSMA	PSMX	
1	RIM & DISC Front Cpte. W10 x 24	2	2	2	2	2	
*	TYRE Front	2	2	2	2	2	
*	TUBE Cpte. 11.2 x 24	2	2	2	2	2	
2	NUT Flange Front	16	16	16	16	16	
3	RIM & DISC Rear W13 x 28 (Square Disc)	2	2	-	-	-	
3	RIM Tractor Rear Wheel W15L x 30	-	-	2	2	2	
*	TYRE Rear Wheel 16.9 x 28 -12PR	2	2	-	-	-	
*	TYRE Rear 16.9 x 30	-	-	2	2	2	
*	TUBE Rear Wheel 16.9 x 28	2	2	-	-	-	
*	TUBE Rear For Tyre 16.9 x 30	-	-	2	2	2	
4	BOLT Rear Wheel Hub	16	16	16	16	16	
5	NUT Collar Rear Wheel Hub	16	16	16	16	16	

SEAT

Seat..... 136 - 137

Seat



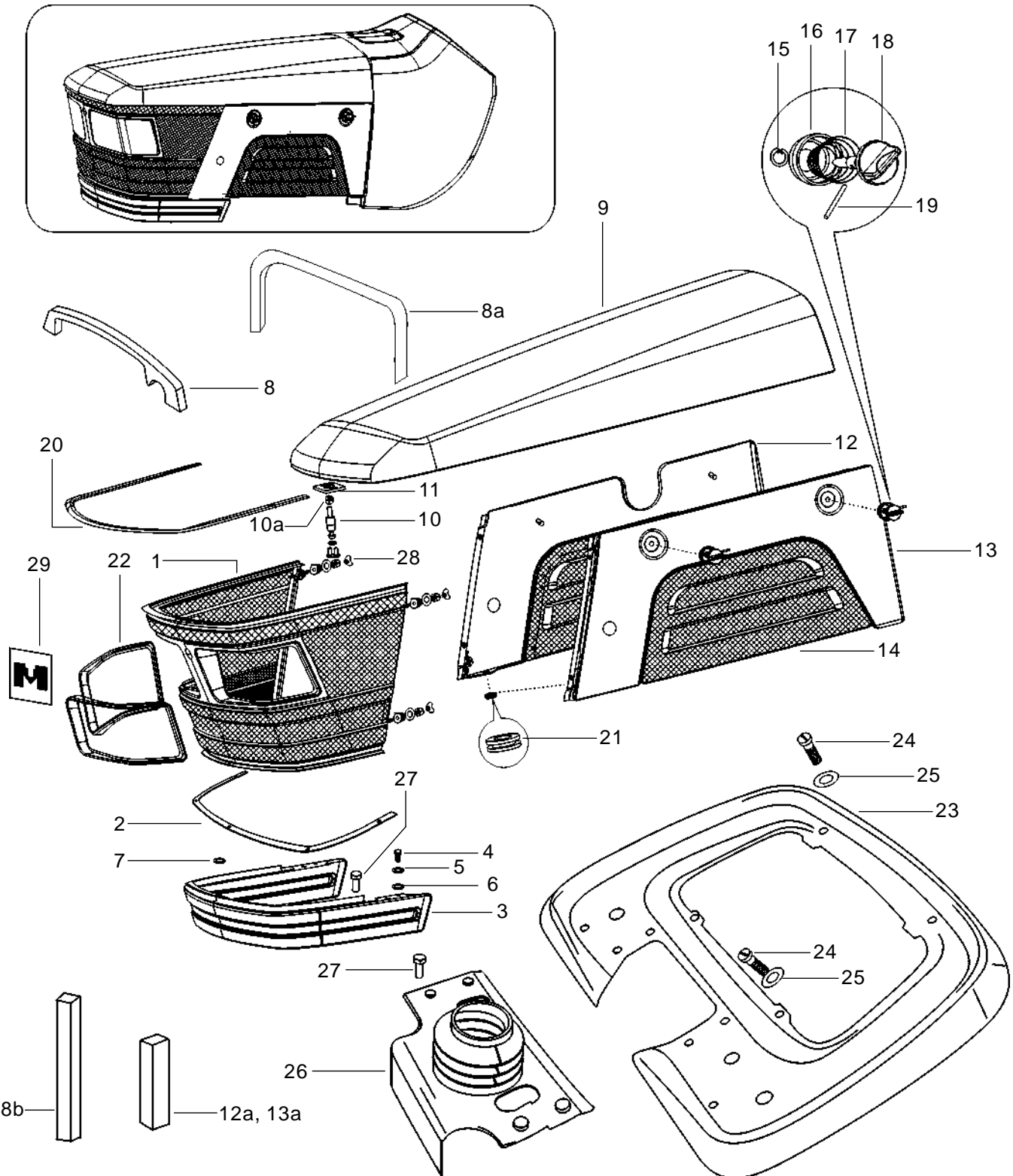
● Not Serviceable Separately

Ref.	Vendor Part No.	Description of Part	Unit Quantity per tractor 4WD					Remarks / Service Bulletin No.
			6030		6530		7030	
			RSMA	RSMN	PSMF	PSMA	PSMX	
A	—	ASSEMBLY Deluxe Seat	1	1	1	1	1	
1	A 117 01 180 A	ASSEMBLY Sliderail Active LH	1	1	1	1	1	
2	A 117 01 182 A	ASSEMBLY Sliderail Passive RH	1	1	1	1	1	
3	A 117 01 154 L	SPRING Guide	1	1	1	1	1	
4	A 117 01 059 P	BELLOW	1	1	1	1	1	
5	A 117 01 009 P	GUIDE Roller	2	2	2	2	2	
6	A 117 01 209 P	HEIGHT Adjuster Belt	1	1	1	1	1	
7	A 117 01 020 W	CONICAL Spring	1	1	1	1	1	
8	A 117 01 021 P	SPRING Locator	1	1	1	1	1	
9	A 117 01 010 P	ROLLER	2	2	2	2	2	
10	A 117 01 011 P	GUIDE Strip	2	2	2	2	2	
11	A 117 01 086 Q	SHOCK Absorber	1	1	1	1	1	
12	A 117 01 093 P	WEIGHT Adjuster Indicator Base	1	1	1	1	1	
13	A 117 01 094 P	WEIGHT Adjuster Indicator Cover	1	1	1	1	1	
14	A 117 01 095 P	WEIGHT Adjuster Indicator Arrow	1	1	1	1	1	
15	A 117 01 071 P	PLASTIC Knob	2	2	2	2	2	
16	A 117 01 227 L	SEAT Base Foam Compl	1	1	1	1	1	
17	A 117 01 228 L	BACKREST Foam Compl	1	1	1	1	1	
18	A 117 01 061 P	ARMPAD Adjuster	2	2	2	2	2	
19	A 117 01 062 P	ARMPAD Adjuster Knob	2	2	2	2	2	
20	A 117 01 200 L	ASSEMBLY Armpad Compl.	2	2	2	2	2	
21	A 117 01 229 P	BACK Cover	1	1	1	1	1	
22	A 117 01 226 Q	SEAT Belt Assembly Air Type	1	1	1	1	1	
23	F 121 26 029 P	CLIP Bearing	5	5	5	5	5	
24	A 117 01 210 P	SEAT Base Drain Plug	1	1	1	1	1	
25	—	BRACKET Seat Mounting	1	1	1	1	1	
26	—	BOLT 3/8" UNC x 1-7/8" Hex. Head	2	2	2	2	2	
27	—	WASHER Spring Lock 3/8"	2	2	2	2	2	
28	—	WASHER Plain 10mm x 24mm x 3mm	2	2	2	2	2	
29	—	BOLT 1/2" UNC x 2-1/4 Hex.	2	2	2	2	2	
30	—	NUT 1/2"	2	2	2	2	2	
31	—	WASHER 1/2" Spring	2	2	2	2	2	
32	—	BOLT Flanged Hex. Head M8 x 1.25 x 30	4	4	4	4	4	
33	—	SEAT Mounting C-Channel	2	2	2	2	2	
34	—	TRIANGLE Safety	1	1	1	1	1	
35	—	BRACKET Mounting for SMV	1	1	1	1	1	
36	—	SCREW Hex Head	2	2	2	2	2	

SHEET METAL

Hood, Panel, Grill Assembly & Instrument Bezel	138 - 139
Front End Assembly	140 - 141
Fuel Tank	142 - 143
Scuttle Assembly	144 - 145
Fenders	146 - 149
Platform Assembly	150 - 153
Tool Box	154 - 155
Decals	156 - 157

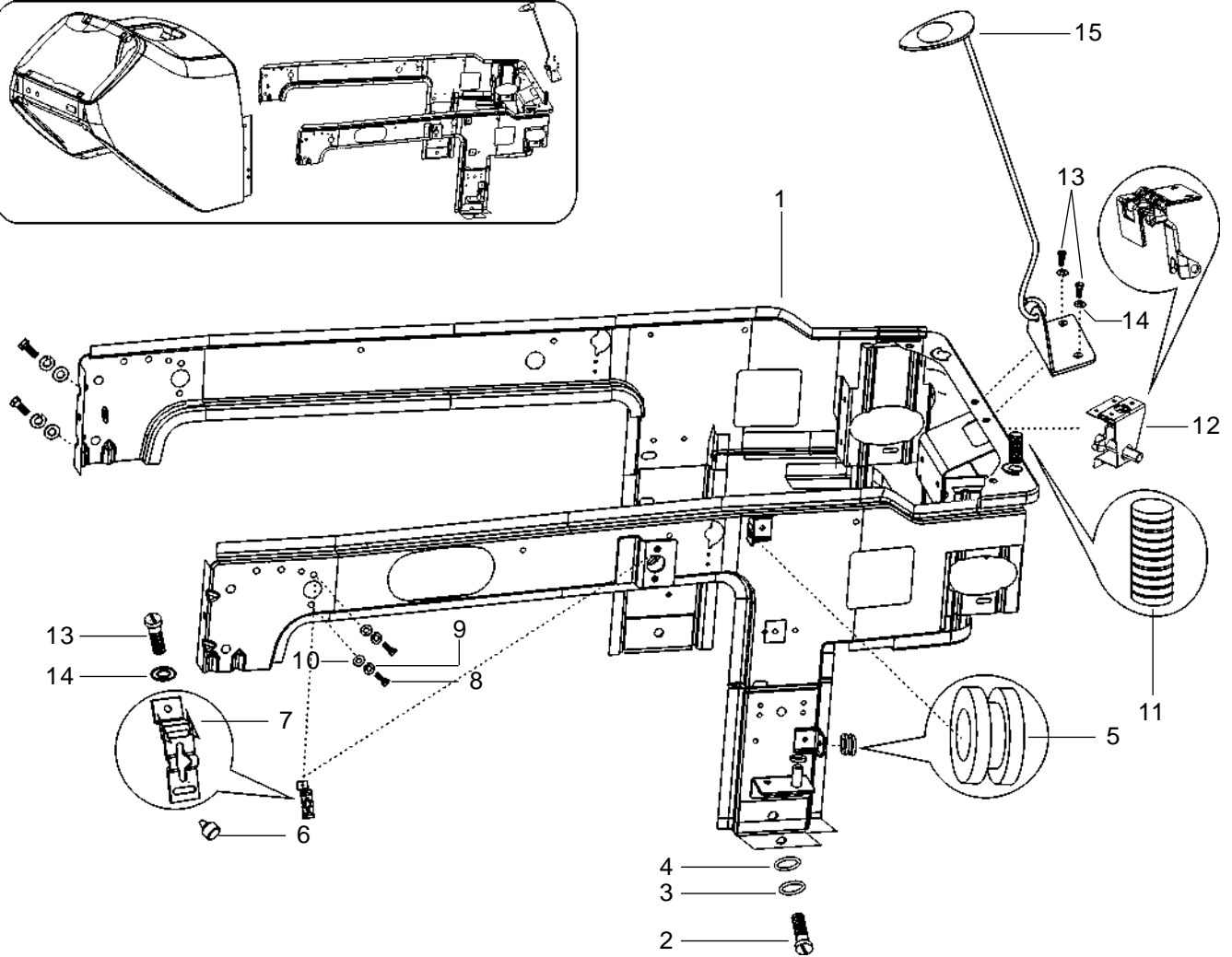
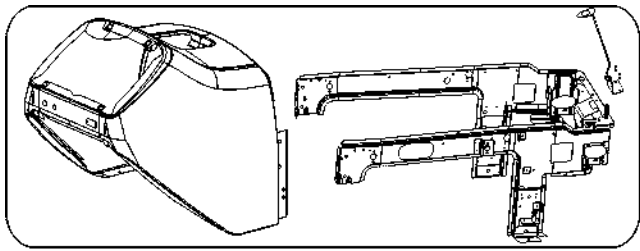
Hood, Panel, Grill Assembly & Instrument Bezel



Hood, Panel, Grill Assembly & Instrument Bezel

M&M Part Number	Ref.	Description of Part	Unit Quantity per tractor 4WD					Remarks / Service Bulletin No.
			6030		6530		7030	
			RSMA	RSMN	PSMF	PSMA	PSMX	
000060350M02	1	GRILL Assembly Front	1	1	1	1	1	
000060859M01	2	LINNER Front Grill	2	2	2	2	2	
000060440M02	3	PANEL Front	1	1	1	1	1	
000060434M01	4	SCREW Head M6 x 16	5	5	5	5	5	
001233808R1	5	WASHERS Spring M6	5	5	5	5	5	
000060685M01	6	WASHERS Plain M6	4	4	4	4	4	
003047325R1	7	WASHER Governor Control (For Negative Cable Mounting)	1	1	1	1	1	
007535511C1	8	FOAM Pad Bonnet	1	1	-	-	-	
000061066M01	8a	FOAM Pad Bonnet	-	-	1	1	1	
007535510C1	8b	FOAM Side Sealing	2	2	2	2	2	
000060330M01	9	BONNET Assembly	1	1	1	1	1	
000061048M01	10	STRIKER Bonnet Latch	1	1	1	1	1	
000031251B12	10a	NUT Fork Clamping	1	1	1	1	1	
000060337M01	11	PLATE Striker Mounting	1	1	1	1	1	
000060340M02	12	SIDE Panel RH Assembly	1	1	1	1	1	
007535510C1	12a	FOAM Sealing	1	1	1	1	1	
000060341M02	13	SIDE Panel LH Assembly	1	1	1	1	1	
007535510C1	13a	FOAM Sealing	1	1	1	1	1	
000060344M01	14	GRILL Side Panel	2	2	2	2	2	
000060548M01	15	CIRCLIP External Dia. 8 mm	4	4	4	4	4	
000060542M01	16	SPRING Housing Side Panel	4	4	4	4	4	
000060547M01	17	SPRING Side Panel	4	4	4	4	4	
007505449C91	18	KNOB Side Panel	4	4	4	4	4	
000017047R1	19	SLOTTED Spring Pin	4	4	4	4	4	
000061336M01	20	BEADING Front Grill	1	1	1	1	1	
000060546M01	21	GROMMET Side Panel	4	4	4	4	4	
000061050M01	22	BIDDING Head Lamp	2	2	2	2	2	
007505152C11	23	INSTRUMENT Bezel Weld Assembly - 4WD	1	1	1	1	1	
007535328C1	24	PHILIPS Head Screw M6 x 20	8	8	8	8	8	
000060685M01	25	WASHER Plain M6	8	8	8	8	8	
E007536289C1	26	SEAL Steering Column	1	1	1	1	1	
000060914M01	27	NYLON Plug	9	9	9	9	9	
000061197M01	28	NUT Wing	4	4	4	4	4	
000061344M01	29	LOGO Mahindra	1	1	1	1	1	

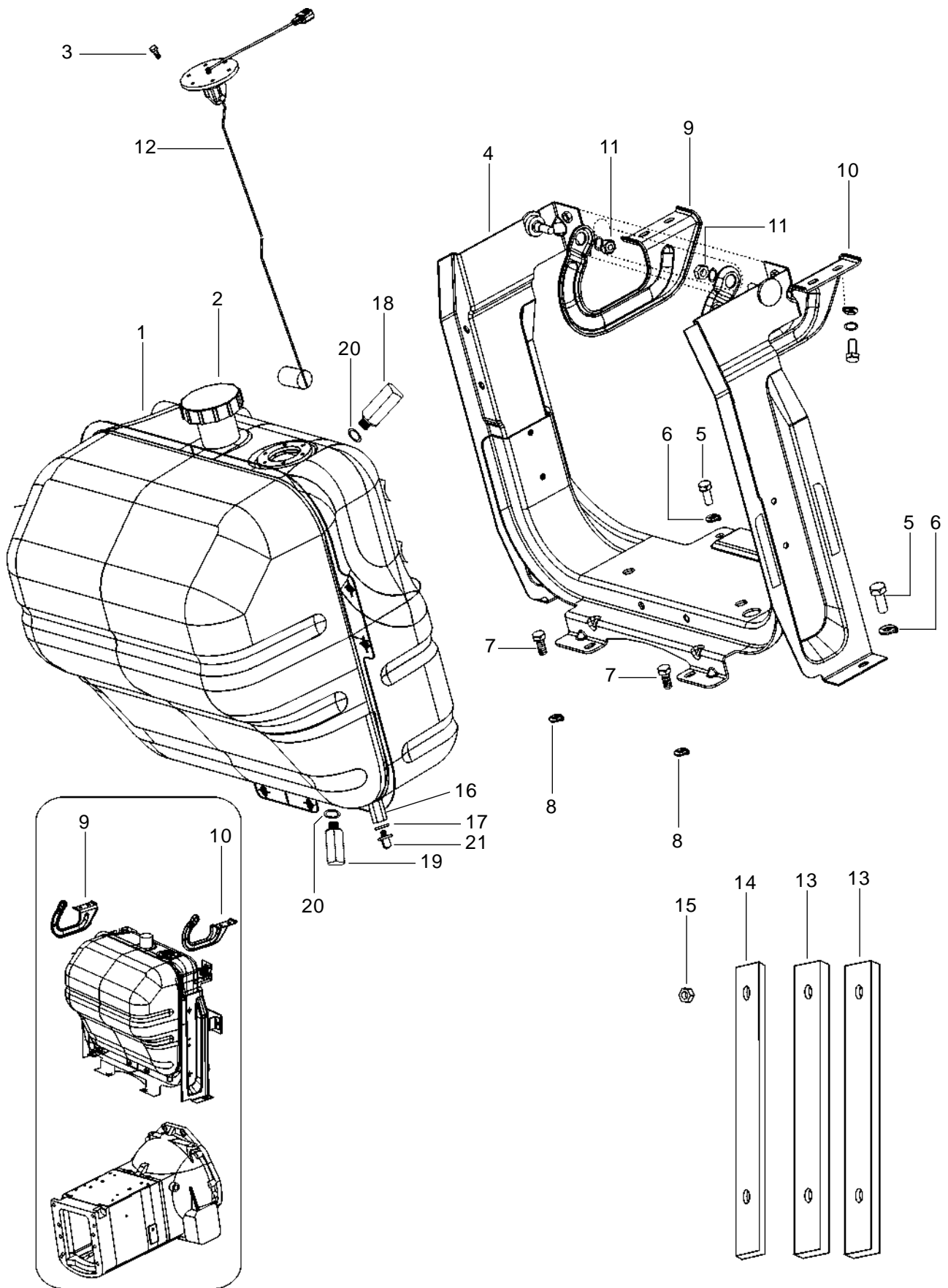
Front End Assembly



Front End Assembly

Ref.	Description of Part	Unit Quantity per tractor 4WD					Remarks / Service Bulletin No.
		6030		6530		7030	
		RSMA	RSMN	PSMF	PSMA	PSMX	
1	FRONT End Assembly	1	1	1	1	1	
2	HEAD Screw M12 x 25 Hex.	2	2	2	2	2	
3	SPRING Washer M12	2	2	2	2	2	
4	WASHER Plain M12	2	2	2	2	2	
5	RUBBER Pad Pin Guide	4	4	4	4	4	
6	RUBBER Side Panel Latch	4	4	4	4	4	
7	PLATE Latch Adjustment	4	4	4	4	4	
8	HEAD Screw M6 x 16	8	8	8	8	8	
9	WASHER Spring M6	8	8	8	8	8	
10	WASHER Plain M6	8	8	8	8	8	
11	STOPPER Rubber Bonnet	2	2	2	2	2	
12	LATCH Assembly Bonnet	1	1	1	1	1	
13	BOLT M6 x 25	2	2	2	2	2	
14	WASHER Spring M6	2	2	2	2	2	
15	STAY Rod Assembly	1	1	1	1	1	

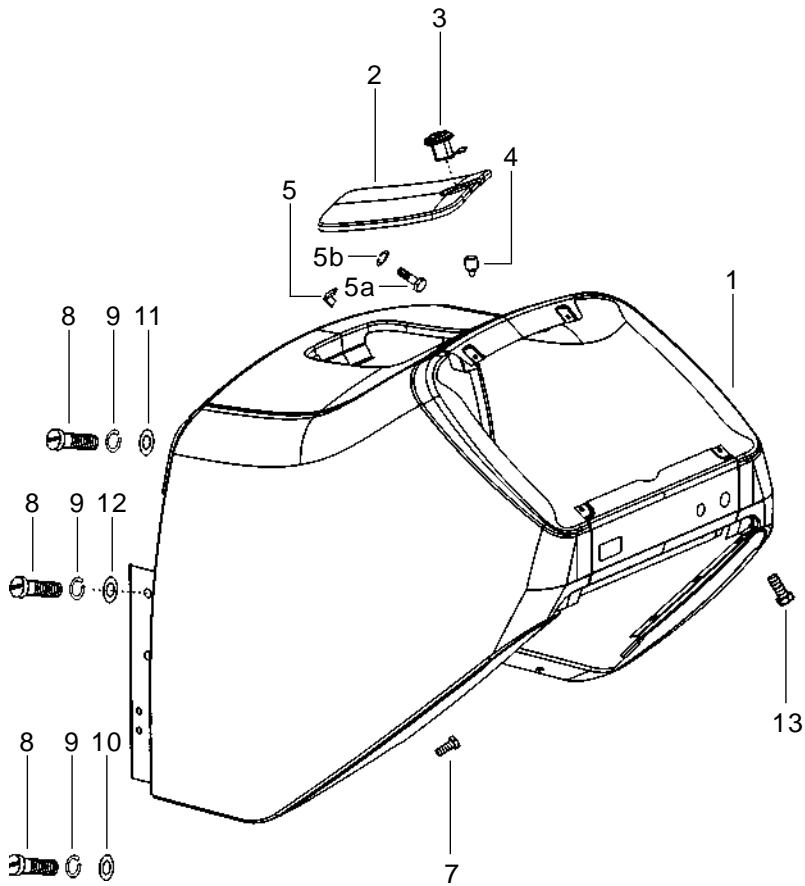
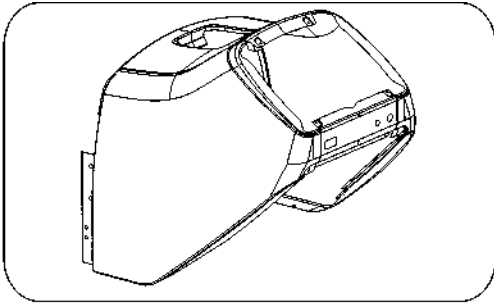
Fuel Tank



Fuel Tank

Ref.	Description of Part	Unit Quantity per tractor 4WD					Remarks / Service Bulletin No.
		6030		6530		7030	
		RSMA	RSMN	PSMF	PSMA	PSMX	
1	FUEL TANK Assembly	1	1	1	1	1	
2	CAP Fuel Tank	1	1	1	1	1	
3	HALF Threaded Screw	6	6	6	6	6	
4	SUPPORT Assembly Fuel Tank	1	1	1	1	1	
5	3/8" UNC x 3/4" Front	2	2	2	2	2	
6	WASHER Spring 3/8"	2	2	2	2	2	
7	BOLT 7/16" UNC x 7/8" long	2	2	2	2	2	
8	WASHER Spring 7/16"	2	2	2	2	2	
9	HINGE Bonnet Mounting LH	1	1	1	1	1	
10	HINGE Bonnet Mounting RH	1	1	1	1	1	
11	NUTS Nylock M10	2	2	2	2	2	
12	FUEL Tank Unit	1	1	1	1	1	
13	RUBBER Packing Fuel Tank Mounting	12	12	12	12	12	
14	PLATE Fuel Tank Mounting	6	6	6	6	6	
15	NUT Hex. M8	6	6	6	6	6	
16	ADAPTER Water Drain	1	1	1	1	1	
17	WASHER For Drain Plug	1	1	1	1	1	
18	FOSSET Fuel Tank Return	1	1	1	1	1	
19	FUEL TAP Adapter with Filter Screen Consisting of	1	1	1	1	1	
*	▶ ADAPTER	1	1	1	1	1	
*	▶ FUEL Filter Screen	1	1	1	1	1	
20	COPPER Washer Fuel Tank	3	3	3	3	3	
21	BOLT Wing Water Drain	1	1	1	1	1	

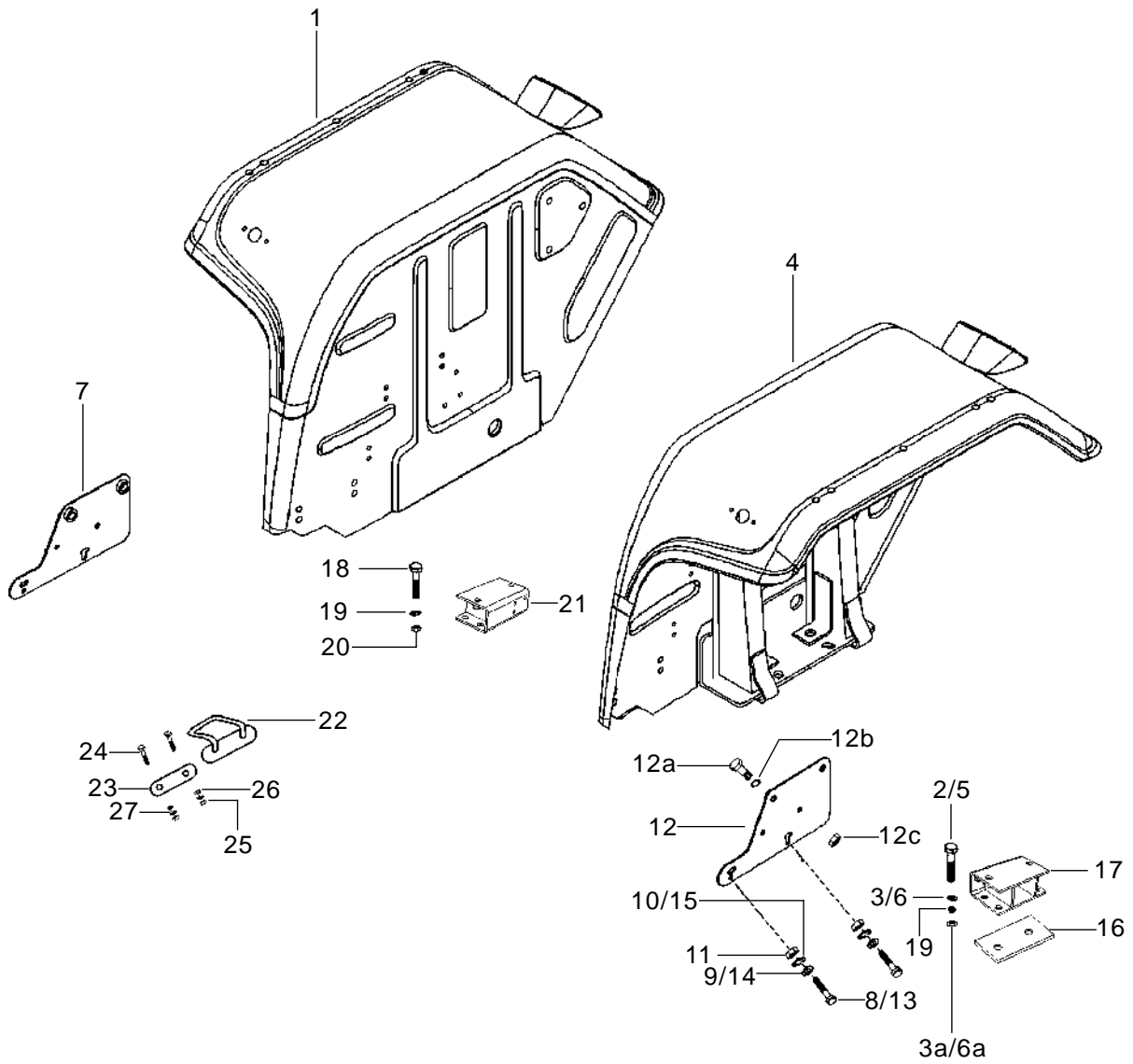
Scuttle Assembly



Scuttle Assembly

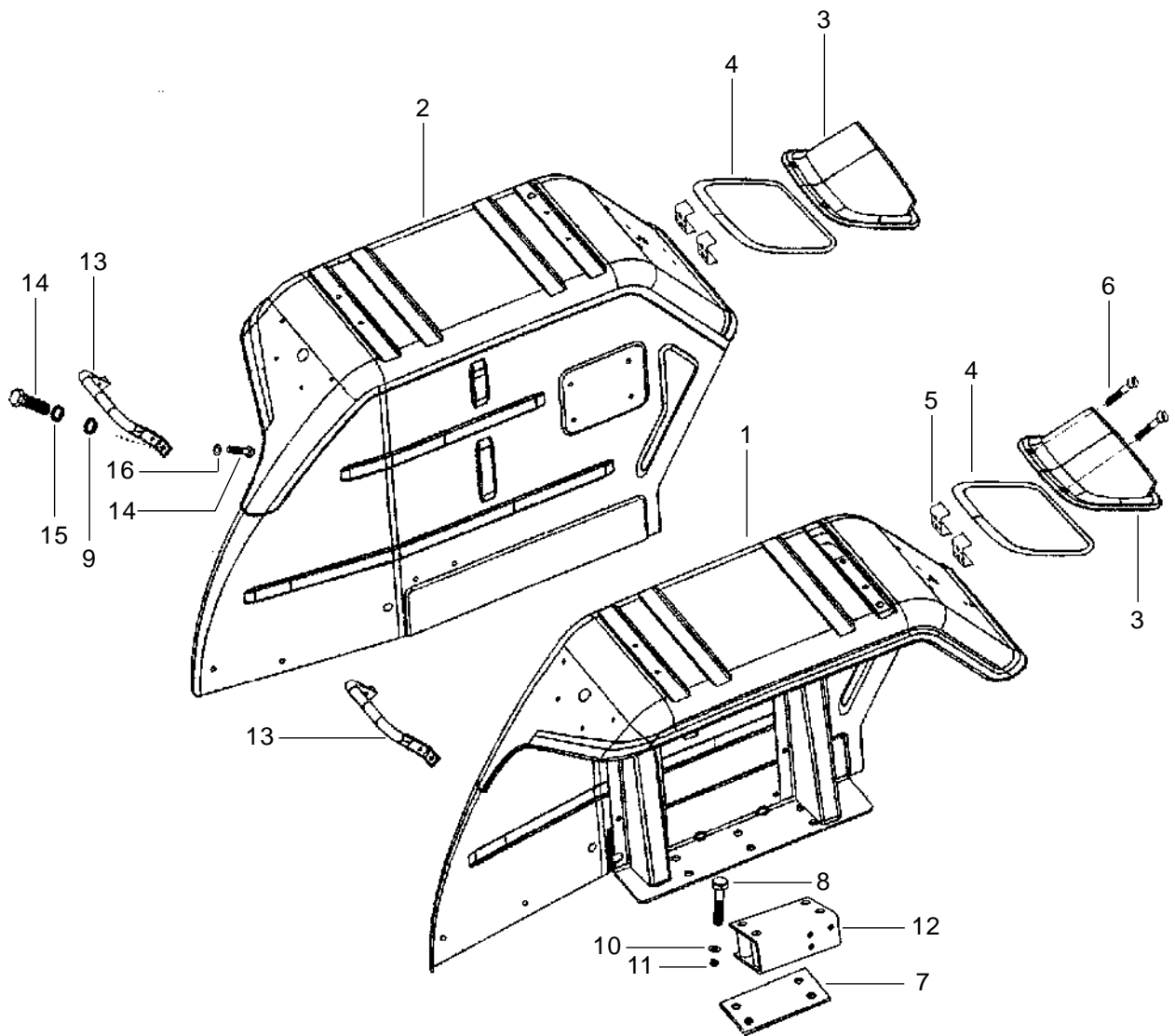
Ref.	Description of Part	Unit Quantity per tractor 4WD					Remarks / Service Bulletin No.
		6030		6530		7030	
		RSMA	RSMN	PSMF	PSMA	PSMX	
1	SCUTTLE Assembly	1	1	1	1	1	
2	DOOR Fuel Filler	1	1	1	1	1	
3	LOCK Door Fuel Filler	1	1	1	1	1	
4	RUBBER Door Fuel Filler	2	2	2	2	2	
5	SPRING Plate Hinge Door Fuel Filler	1	1	1	1	1	
5a	BOLT M6 x 15	2	2	2	2	2	
5b	SPRING Washer	2	2	2	2	2	
6	DOOR Assembly – Scuttle	1	1	1	1	1	
7	BOLT M6 x 16	2	2	2	2	2	
8	HEAD SCREW M8 x 25 Hex.	12	12	12	12	12	
9	WASHER Spring M8	12	12	12	12	12	
10	WASHER Plain	2	2	2	2	2	
11	WASHER Plain M8	6	6	6	6	6	
12	WASHER Plain 8.5 x 20	4	4	4	4	4	
13	BOLT M8 x 1.25 -20 long	8	8	8	8	8	

Fenders



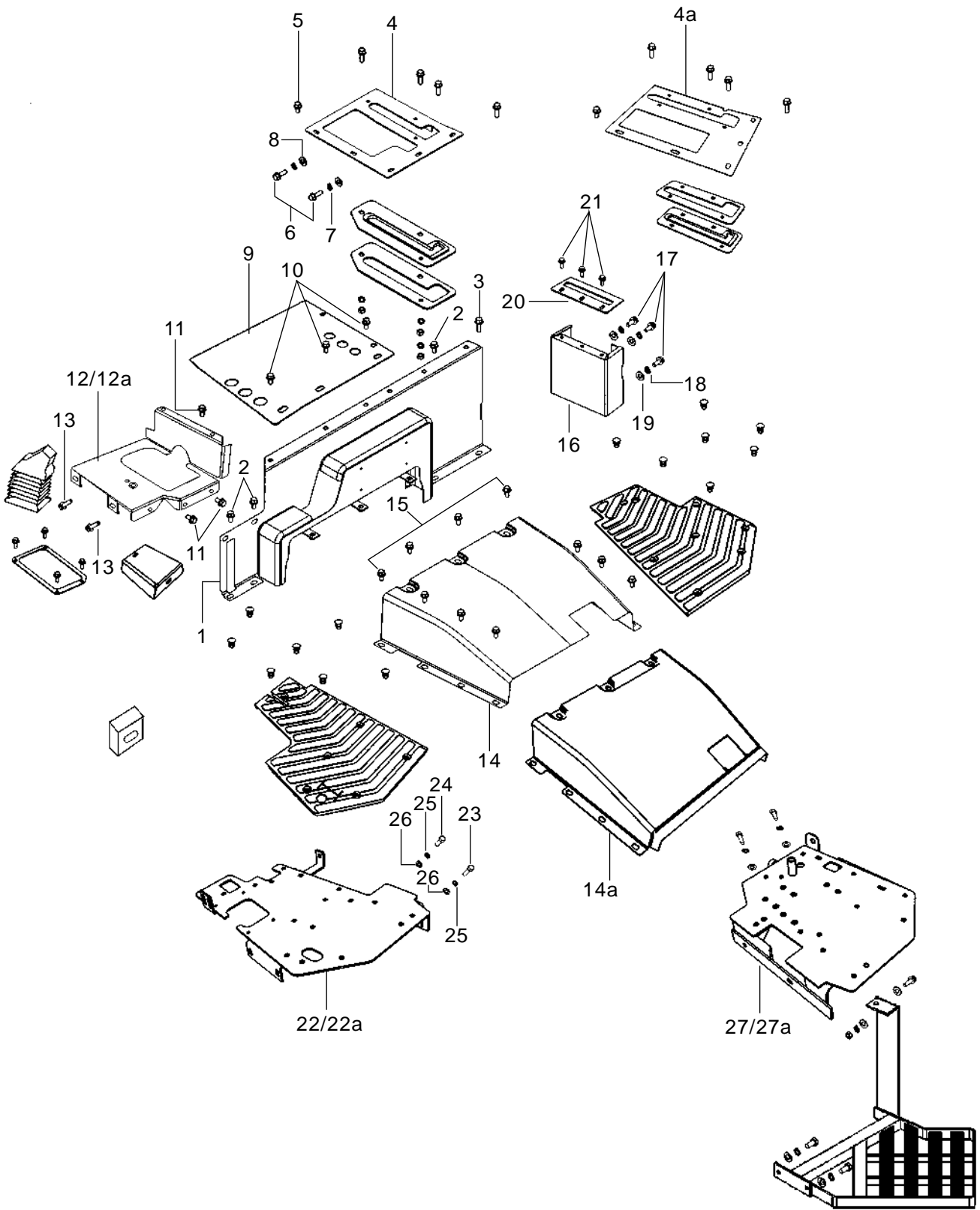
Ref.	Description of Part	Unit Quantity per tractor 4WD					Remarks / Service Bulletin No.
		6030		6530		7030	
		RSMA	RSMN	PSMF	PSMA	PSMX	
1	ASSEMBLY Fender RH (NST)	1	1	-	-	-	
2	BOLT 5/8 UNC x 2-1/4 Hex. Head	2	2	-	-	-	
3	SPRING Washer	2	2	-	-	-	
3a	NUT 5/8 UNC	2	2	-	-	-	
4	ASSEMBLY Fender LH (NST)	1	1	-	-	-	
5	BOLT 5/8 UNC x 2-1/4 Hex. Head	2	2	-	-	-	
6	SPRING Washer	2	2	-	-	-	
6a	NUT 5/8 UNC	2	2	-	-	-	
7	CONNECTING Plate RH	1	1	-	-	-	
8	BOLT Flange Hex. Head M8 x 1.25 x 20	3	3	-	-	-	
9	WASHER Sp. Lock M8	3	3	-	-	-	
10	WASHER Plain M8	6	6	-	-	-	
11	NUT Hex. M8	3	3	-	-	-	
12	CONNECTING Plate LH	1	1	-	-	-	
12a	BOLT M6 x 25	2	2	-	-	-	
12b	WASHER Spring M6	2	2	-	-	-	
12c	NUT M6 x 1 Hex. ZNC PLTD	2	2	-	-	-	
13	BOLT Flanged Hex. Head M8 x 1.25 x 20	3	3	-	-	-	
14	WASHER Spring Lock M8	3	3	-	-	-	
15	WASHER Plain M8	3	3	-	-	-	
16	LINER Fender	2	2	-	-	-	
17	ASSEMBLY Spacer LH	1	1	-	-	-	
18	BOLT 5/8 UNC x 2-1/4 Hex. Head	8	8	-	-	-	
19	SPRING Washer	8	8	-	-	-	
20	NUT 5/8 UNC	8	8	-	-	-	
21	ASSEMBLY Spacer RH	1	1	-	-	-	
22	GRAB Handle	1	1	-	-	-	
23	RUBBER for Grab Handle	1	1	-	-	-	
24	BOLT for Grab Handle	2	2	-	-	-	
25	WASHER Plain M10	4	4	-	-	-	
26	WASHER Spring 3/8"	2	2	-	-	-	
27	NUT 3/8"	2	2	-	-	-	

Fenders



Ref.	Description of Part	Unit Quantity per tractor 4WD					Remarks / Service Bulletin No.
		6030		6530		7030	
		RSMA	RSMN	PSMF	PSMA	PSMX	
1	FENDER Assembly LH	-	-	1	1	1	
2	FENDER Assembly RH	-	-	1	1	1	
3	COVER Rear Lamp	-	-	2	2	2	
4	BEADING Tail Lamp Cover	-	-	2	2	2	
5	BRACKET Tail Lamp Mounting	-	-	4	4	4	
6	SCREW Counter Sunk M8 x 25	-	-	6	6	6	
7	LINER - Fender - 4WD	-	-	2	2	2	
8	BOLT 5/8 UNC x 5.5" Long	-	-	8	8	8	
9	WASHER Plain 8.5 x 20	-	-	8	8	8	
10	WASHER Spring 5/8"	-	-	8	8	8	
11	NUT 5/8 UNC	-	-	8	8	8	
12	ASSEMBLY Spacer LH	-	-	2	2	2	
13	HANDLE Driver Assist	-	-	2	2	2	
14	SCREW Hex. Head M8 x 25	-	-	12	12	12	
15	WASHER Plain	-	-	10	10	10	
16	WASHER Spring M8	-	-	12	12	12	

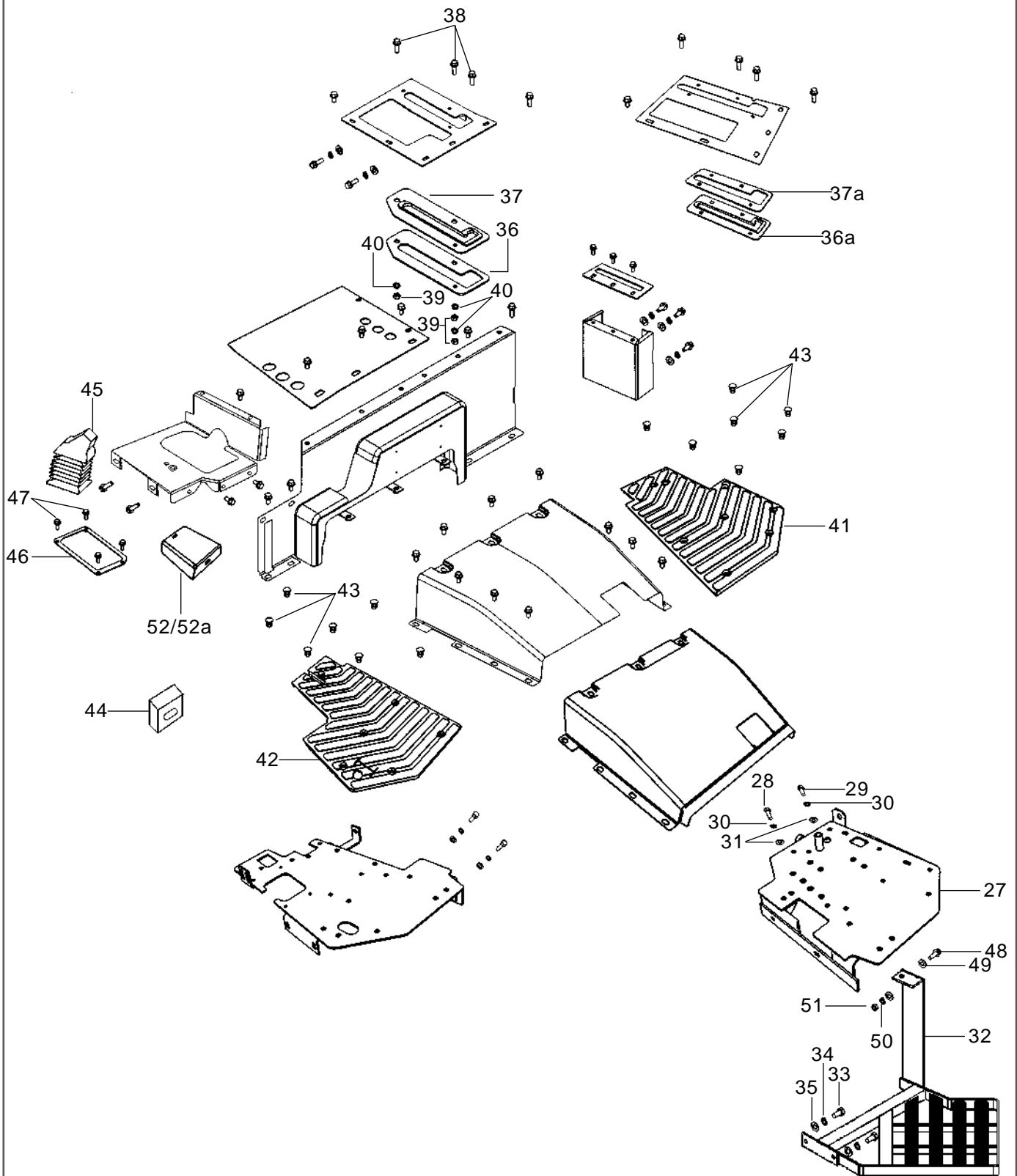
Platform Assembly



Platform Assembly

Ref.	Description of Part	Unit Quantity per tractor 4WD					Remarks / Service Bulletin No.
		6030		6530		7030	
		RSMA	RSMN	PSMF	PSMA	PSMX	
1	ASSEMBLY PANEL Central Platform	1	1	1	1	1	
2	BOLT Flanged Hex. Head M8 x 1.25 x 16	3	3	3	3	3	
3	BOLT Flanged Hex. Head M8 x 1.25 x 25	1	1	1	1	1	
4	ASSEMBLY VTU Cover Platform LH	1	1	-	-	-	
4a	ASSEMBLY VTU Cover Platform LH	-	-	1	1	1	
5	BOLT Flanged Hex. Head M8 x 1.25 x 16	5	5	5	5	5	
6	BOLT Flanged Hex. Head M8 x 1.25 x 25	2	2	2	2	2	
7	WASHER M8 Spring Lock	2	2	2	2	2	
8	WASHER Plain M8	2	2	2	2	2	
9	COVER VTU Middle Platform	1	1	1	1	1	
10	BOLT Flanged Hex. Head M8 x 1.25 x 16	3	3	3	3	3	
11	BOLT Flanged Hex. Head M8 x 1.25 x 16	3	3	3	3	3	
12	ASSEMBLY VTU RH	1	1	-	-	-	
12a	ASSEMBLY VTU RH	-	-	1	1	1	
13	BOLT Flanged Hex. Head M8 x 1.25 x 25	2	2	2	2	2	
14	PANEL Front Shifter Housing	1	1	-	-	-	
14a	PANEL Front Shifter Housing	-	-	1	1	1	
15	BOLT Flanged Hex. Head M8 x 1.25 x 16	10	10	10	10	10	
16	ASSEMBLY COVER Hi-Low	1	1	1	1	1	
17	BOLT Flanged Hex. Head M8 x 1.25 x 20	3	3	3	3	3	
18	WASHER M8 Spring Lock	3	3	3	3	3	
19	WASHER Plain M8	3	3	3	3	3	
20	PLATE Hi-Low Cover	1	1	1	1	1	
21	BOLT Flanged Hex. Head M6 x 1 x 16	3	3	3	3	3	
22	FLOOR PANEL RH Assembly - Platform	1	1	-	-	-	
22a	FLOOR PANEL RH Assembly - Platform	-	-	1	1	1	
23	BOLT - 3/8" UNC 7/8"	1	1	1	1	1	
24	BOLT - 3/8" UNC 1-1/8"	1	1	1	1	1	
25	WASHER Spring Lock	2	2	2	2	2	
26	WASHER Plain	2	2	2	2	2	
27	FLOOR PANEL LH Assembly - Platform	1	1	-	-	-	
27a	FLOOR PANEL LH Assembly - Platform	-	-	1	1	1	

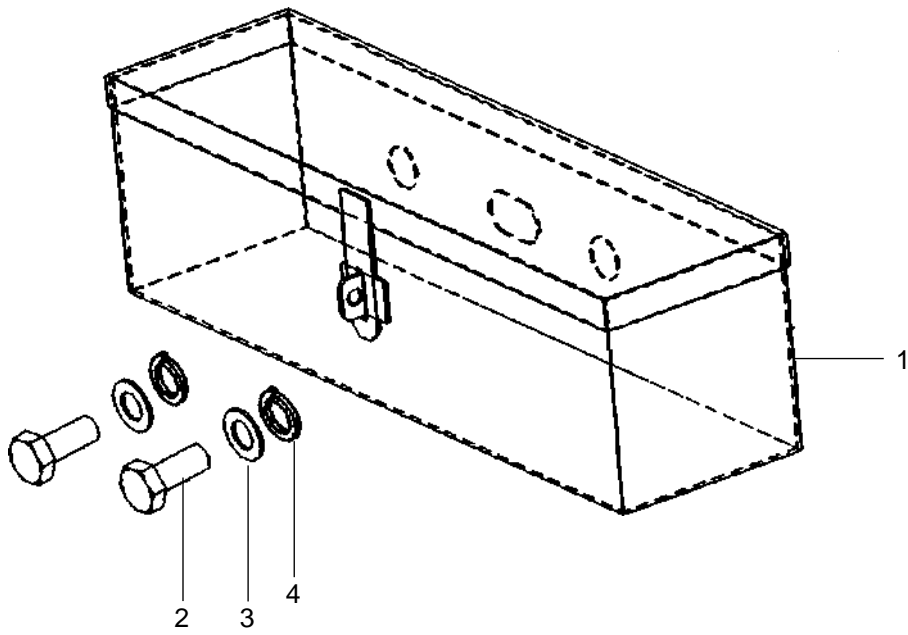
Platform Assembly



Platform Assembly

Ref.	Description of Part	Unit Quantity per tractor 4WD					Remarks / Service Bulletin No.
		6030		6530		7030	
		RSMA	RSMN	PSMF	PSMA	PSMX	
28	BOLT 3/8" UNC 7/8"	1	1	1	1	1	
29	BOLT 3/8" UNC 1-1/8"	1	1	1	1	1	
30	WASHER Spring Lock	2	2	2	2	2	
31	WASHER Plain	2	2	2	2	2	
32	FOOT STEP	1	1	1	1	1	
33	BOLT 3/8" UNC 7/8"	2	2	2	2	2	
34	WASHER Spring Lock	2	2	2	2	2	
35	WASHER Plain	2	2	2	2	2	
36	TOP COVER IPTO	1	1	-	-	-	
36a	TOP COVER SLPTO	-	-	1	1	1	
37	MIDDLE COVER IPTO	1	1	-	-	-	
37a	MIDDLE COVER SLPTO	-	-	1	1	1	
38	BOLT Flanged Hex. Head M8 x 1.25 x 20	3	3	4	4	4	
39	NUT M8 x 1.25	3	3	4	4	4	
40	WASHER M8 Spring Lock	3	3	4	4	4	
41	MAT FLOOR - LH	1	1	1	1	1	
42	MAT FLOOR - RH	1	1	1	1	1	
43	PLUG 10.5 Dia.	14	14	14	14	14	
44	RUBBER Pad for Floor Panel	4	4	4	4	4	
45	BOOT Trans Gear Shift Lever	1	1	1	1	1	
46	RETAINER Boot Gear Shift Lever	1	1	1	1	1	
47	BOLT Flanged Hex. Head M6 x 1 x 16	4	4	4	4	4	
48	BOLT Hex. M8 x 1.25 x 35	1	1	1	1	1	
49	WASHER Plain for Radiator Mounting	2	2	2	2	2	
50	WASHER Spring M8	1	1	1	1	1	
51	NUT M8 x 1.25	1	1	1	1	1	
52	CENTRAL Panel RH	1	1	-	-	-	
52a	CENTRAL Panel RH	-	-	1	1	1	

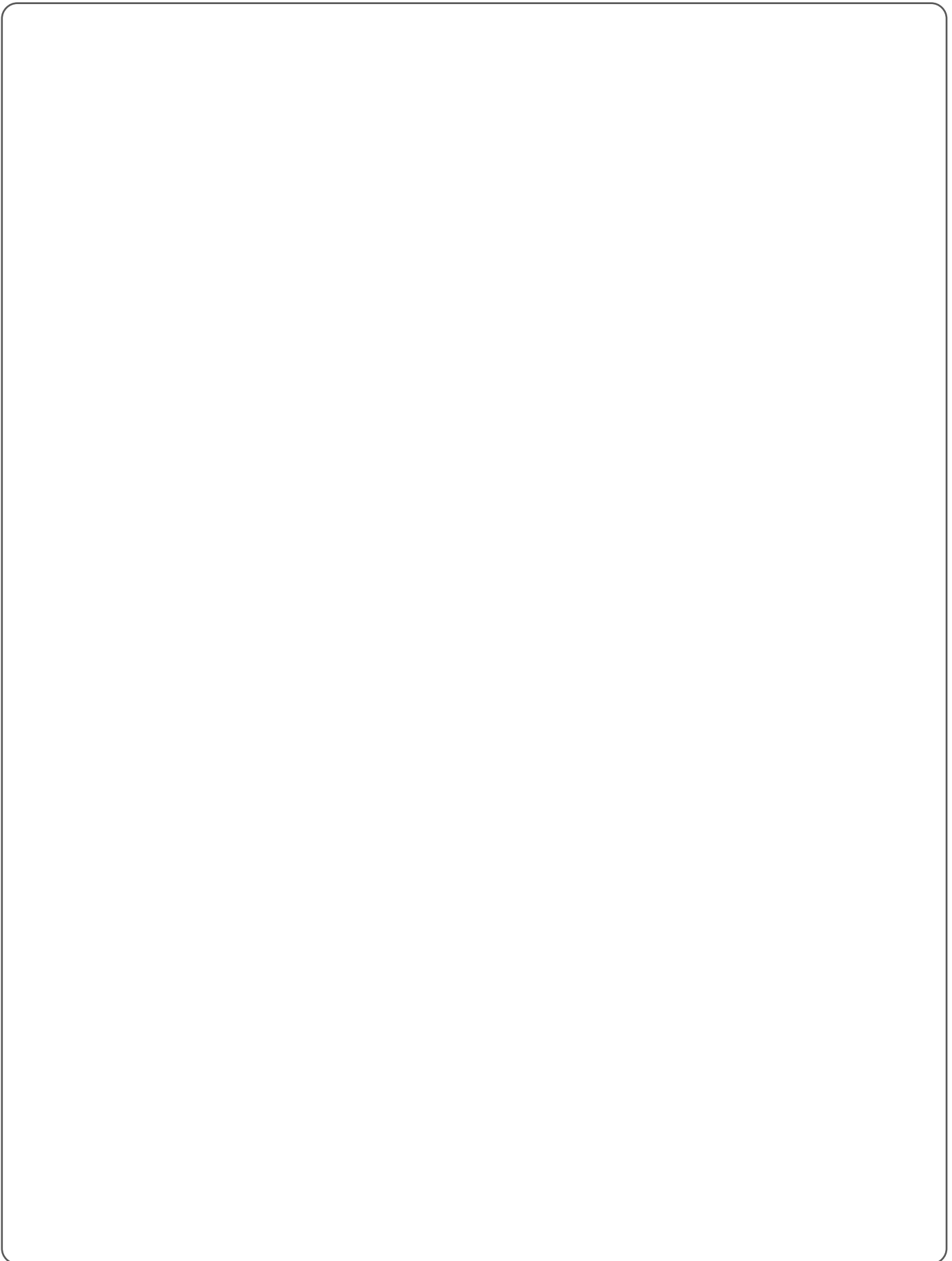
Tool Box



Tool Box

Ref.	Description of Part	Unit Quantity per tractor 4WD					Remarks / Service Bulletin No.
		6030		6530		7030	
		RSMA	RSMN	PSMF	PSMA	PSMX	
*	KIT Tool Complete Consist of	1	1	1	1	1	
*	▶ SPANNER Double End Open 1/2"	1	1	1	1	1	
*	▶ SPANNER Double End Open 3/4"	1	1	1	1	1	
*	▶ RING Spanner 10 mm x 11 mm	1	1	1	1	1	
*	▶ RING Spanner 12 mm x 13 mm	1	1	1	1	1	
*	▶ SCREW Driver	1	1	1	1	1	
*	▶ PLIER	1	1	1	1	1	
*	▶ SPANNER Solid Box 5/16" x 1-1/8"	1	1	1	1	1	
*	▶ TOMMY Bar Dia. 14 mm x 375 mm	1	1	1	1	1	
*	▶ SPANNER Open End 20mm x 22 mm	1	1	1	1	1	
*	▶ SPANNER Open End 14 mm x 17 mm	1	1	1	1	1	
*	▶ BAG Took Kit	1	1	1	1	1	
1	TOOL Box	1	1	1	1	1	
2	BOLT Hex. G 15.875 x 25.4 mm	2	2	2	2	2	
3	WASHER Plain 16.50 x 30.00 x 2.00	2	2	2	2	2	
4	WASHER G 15.875 mm Spring Lock	2	2	2	2	2	

Decals

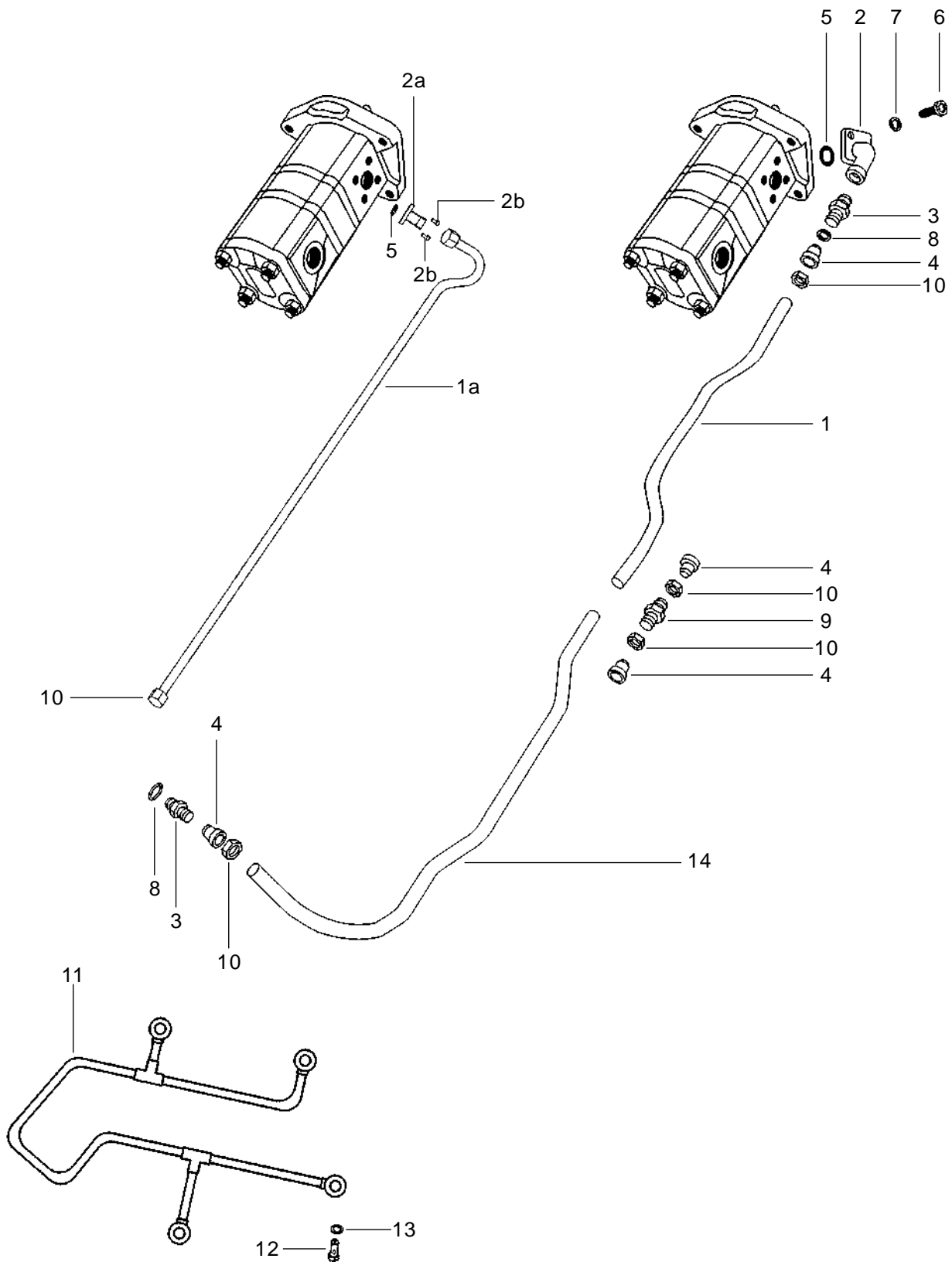


Ref.	Description of Part	Unit Quantity per tractor 4WD					Remarks / Service Bulletin No.
		6030		6530		7030	
		RSMA	RSMN	PSMF	PSMA	PSMX	
1	STICKER Set Consists of	1	1	1	1	1	
2	▶ DECAL For Diesel Fuel	1	1	1	1	1	
3	▶ DECAL For Battery	1	1	1	1	1	
4	▶ DECAL For PTO Guard	1	1	1	1	1	
5	▶ DECAL For Radiator Cap	2	2	2	2	2	
6	▶ DECAL For Fan & Belt 2	2	2	2	2	2	
7	▶ DECAL For Governor Control	2	2	2	2	2	
8	▶ DECAL For PC-DC Lever Position	1	1	1	1	1	
9	▶ DECAL For Manual Instru	1	1	1	1	1	
10	▶ DECAL For Safe Starting	1	1	1	1	1	
11	▶ DECAL For Alternator	1	1	1	1	1	
12	▶ DECAL For Clutch Pedal	1	1	1	1	1	
13	▶ DECAL For Precleaner	1	1	1	1	1	
14	▶ DECAL For P.T.O.	1	1	1	1	1	
15	DECAL For Flow Direction of Aux. Valve	1	-	1	1	1	
16	DECAL Open Close	4	4	4	4	4	
17	STICKER Set 4WD Consists of	1	1	-	-	-	
18	▶ STICKER - 2WD to 4WD Lever	1	1	-	-	-	
19	▶ STICKER - PTO Engagement	1	1	-	-	-	
20	▶ STICKER - Direction Control Lever	1	1	-	-	-	
21	▶ STICKER - PTO Levers Position	1	1	-	-	-	
22	▶ STICKER - Warning	1	1	-	-	-	
23	STICKER Set 4WD Consists of	-	-	1	1	1	
24	▶ STICKER - 2WD to 4WD Lever	-	-	1	1	1	
25	▶ STICKER - PTO Engagement	-	-	1	1	1	
26	▶ STICKER - Direction Control Lever	-	-	1	1	1	
27	▶ STICKER - Warning	-	-	1	1	1	
28	DECAL Product Graphics 6030 4WD	1	1	-	-	-	
29	DECAL Product Graphics 6530 4WD	-	-	1	-	-	
30	DECAL Product Graphics 7030 4WD	-	-	-	1	1	
31	SERIAL Number Plate	1	1	-	-	-	
32	SERIAL Number Plate	-	-	1	-	-	
33	SERIAL Number Plate	1	1	1	1	1	
34	STICKER Set for OHS Norms	1	-	-	1	-	

HYDRAULICS

Hydraulic Pressure Pipes	158 - 159
Hydraulic Suction Line.....	160 - 163
Auxiliary Valve - Single Spool.....	164 - 167
Auxiliary Valve Assembly - Double Spool	168 - 169
Hydraulic Lift Housing	170 - 171
Control Valve Assembly.....	172 - 173
Control Valve - Cylinder Head	174 - 175
Control Valve Body	176 - 179
Hydraulic Control Levers	180 - 183
Bell Crank Assembly	184 - 185
Hydraulic Lift Arms.....	186 - 187
Three Point Linkages	188 - 189

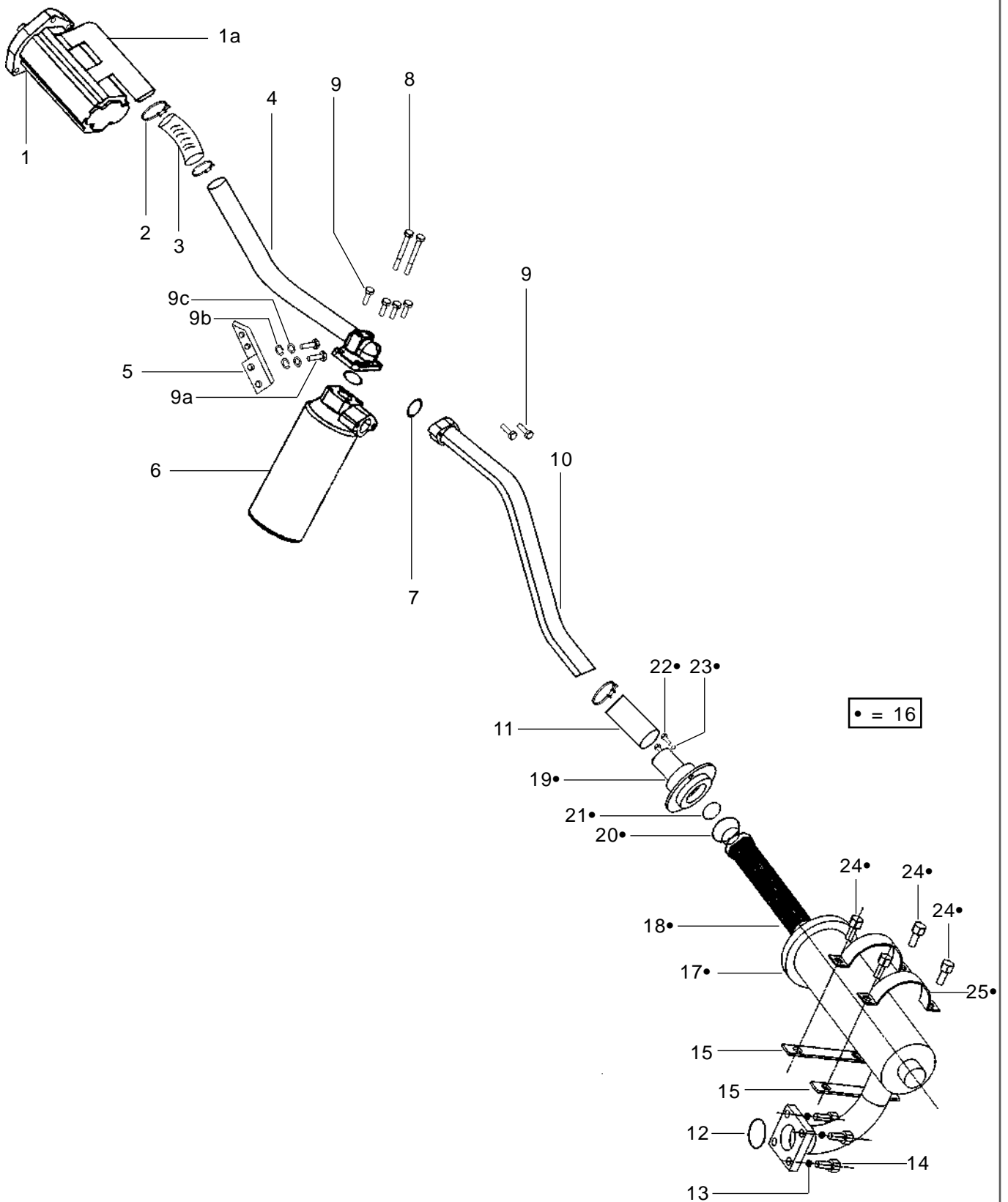
Hydraulic Pressure Pipes



Hydraulic Pressure Pipes

Ref.	Description of Part	Unit Quantity per tractor 4WD					Remarks / Service Bulletin No.
		6030		6530		7030	
		RSMA	RSMN	PSMF	PSMA	PSMX	
1	PIPE PRESSURE Pump to Union	1	1	-	-	-	
1a	PIPE PRESSURE Pump to Union	-	-	1	1	1	
2	MANIFOLD Pressure - Hydraulic Pump	1	1	-	-	-	
2a	CONNECTOR for Pressure Pipe at Hydraulic Pump	-	-	1	1	1	
2b	SCREW Allen	-	-	2	2	2	
3	MALE STUD Coupling 1/2" BSP x 12mm OD	2	2	-	-	-	
4	FERRULE 12 Dia. Pipe	6	6	-	-	-	
5	O' RING	1	1	1	1	1	
6	SCREW Allen	2	2	2	2	2	
7	WASHER (S/L)	2	2	-	-	-	
8	WASHER Dowty	2	2	-	-	-	
9	STRAIGHT Coupling	1	1	-	-	-	
10	NUT for 12mm Pipe	6	6	-	-	-	
11	BUNDY Tube Copper for VTU Lub	1	1	1	1	1	
12	BOLT Banjo M6	7	7	7	7	7	
13	WASHER Copper M6	14	14	14	14	14	
14	PIPE Pressure Union to Control Valve	-	1	-	-	-	

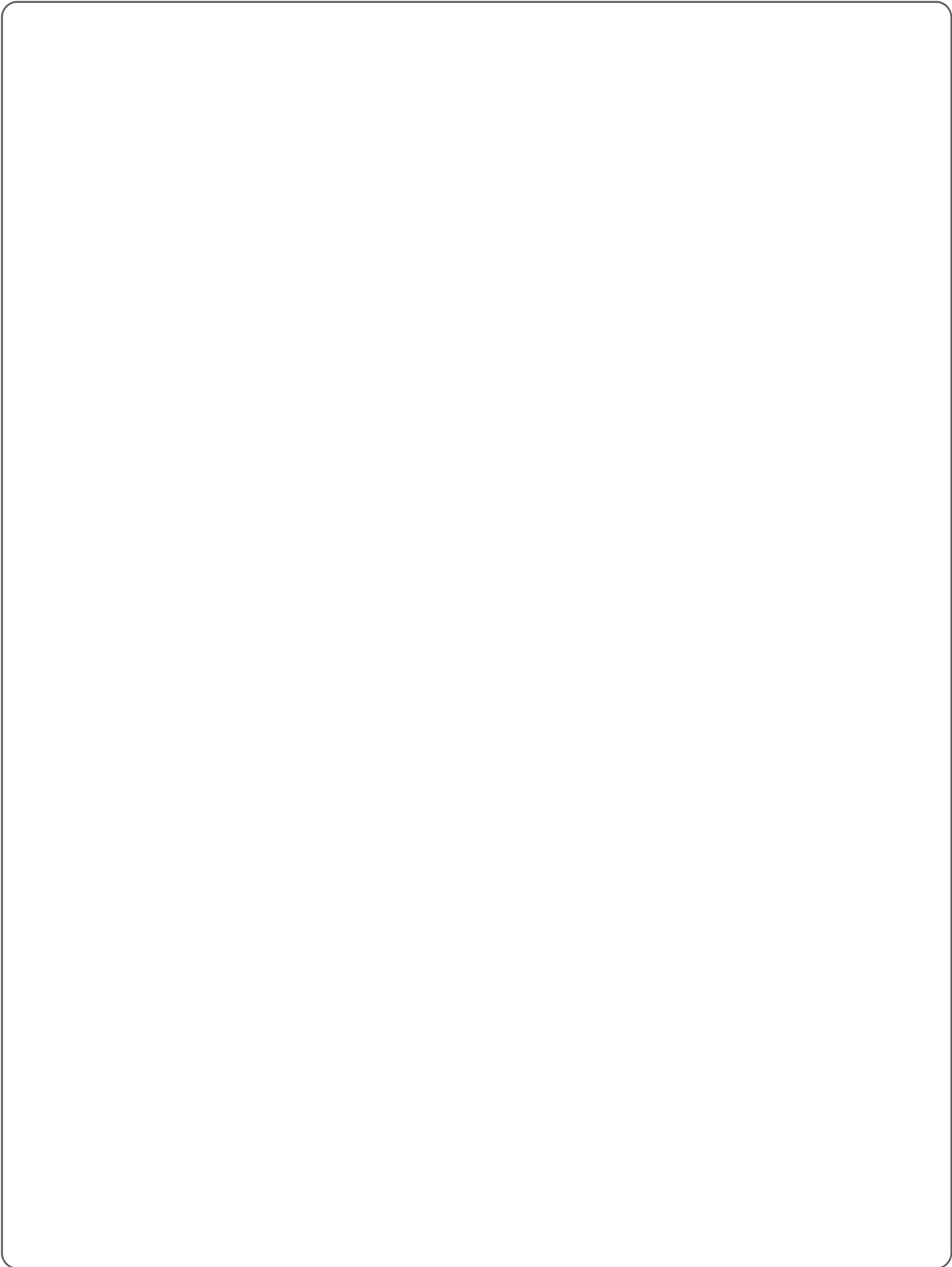
Hydraulic Suction Line



Hydraulic Suction Line

Ref.	Description of Part	Unit Quantity per tractor 4WD					Remarks / Service Bulletin No.
		6030		6530		7030	
		RSMA	RSMN	PSMF	PSMA	PSMX	
1	PUMP Hydraulic Assembly 18+8 with Common Suction Manifold	1	1	1	1	1	
1a	└─ MANIFOLD Assembly	1	1	1	1	1	
2	HOSE Clip for Suction Hose	4	4	4	4	4	
3	HOSE Common Oil	1	1	–	–	–	
3	HOSE Suction Hydraulic Pump	–	–	1	1	1	
4	PIPE Filter to Pump 35	1	1	–	–	–	
4	PIPE Filter to Pump 35	–	–	1	1	1	
5	FILTER Mounting Bracket	1	1	1	1	1	
6	FILTER Assembly Common Oil	1	1	1	1	1	
7	O' RING for Suction Filter	2	2	2	2	2	
8	BOLT M8 x 55	2	2	2	2	2	
9	BOLT M8 x 22	6	6	6	6	6	
9a	BOLT M8 x 22	2	2	2	2	2	
9b	WASHER Spring	2	2	2	2	2	
9c	WASHER Plain	2	2	2	2	2	
10	PIPE Filter to Strainer	1	1	1	1	1	
11	HOSE Suction Line	1	1	1	1	1	
12	O' RING Flange	1	1	1	1	1	
13	WASHER Flange	4	4	4	4	4	
14	BOLT Flange	4	4	4	4	4	
15	STRAINER Mounting Clamp Plate	2	2	2	2	2	
16	STRAINER Box Assembly – 30 Series	1	1	1	1	1	
17	└─ STRAINER Housing	1	1	1	1	1	
18	└─ STRAINER Element	1	1	1	1	1	
19	└─ TOP Flange Assembly	1	1	1	1	1	
20	└─ O' RING Top Flange Assembly 59.6 x 3.43	1	1	1	1	1	
21	└─ O' RING Top Flange Assembly 20 x 2.5	1	1	1	1	1	
22	└─ SCREW Allen M6	2	2	2	2	2	
23	└─ WASHER Spring M6	2	2	2	2	2	
24	└─ BOLT Flanged Headed	4	4	4	4	4	
25	└─ STRAINER Mounting Clamp	2	2	2	2	2	

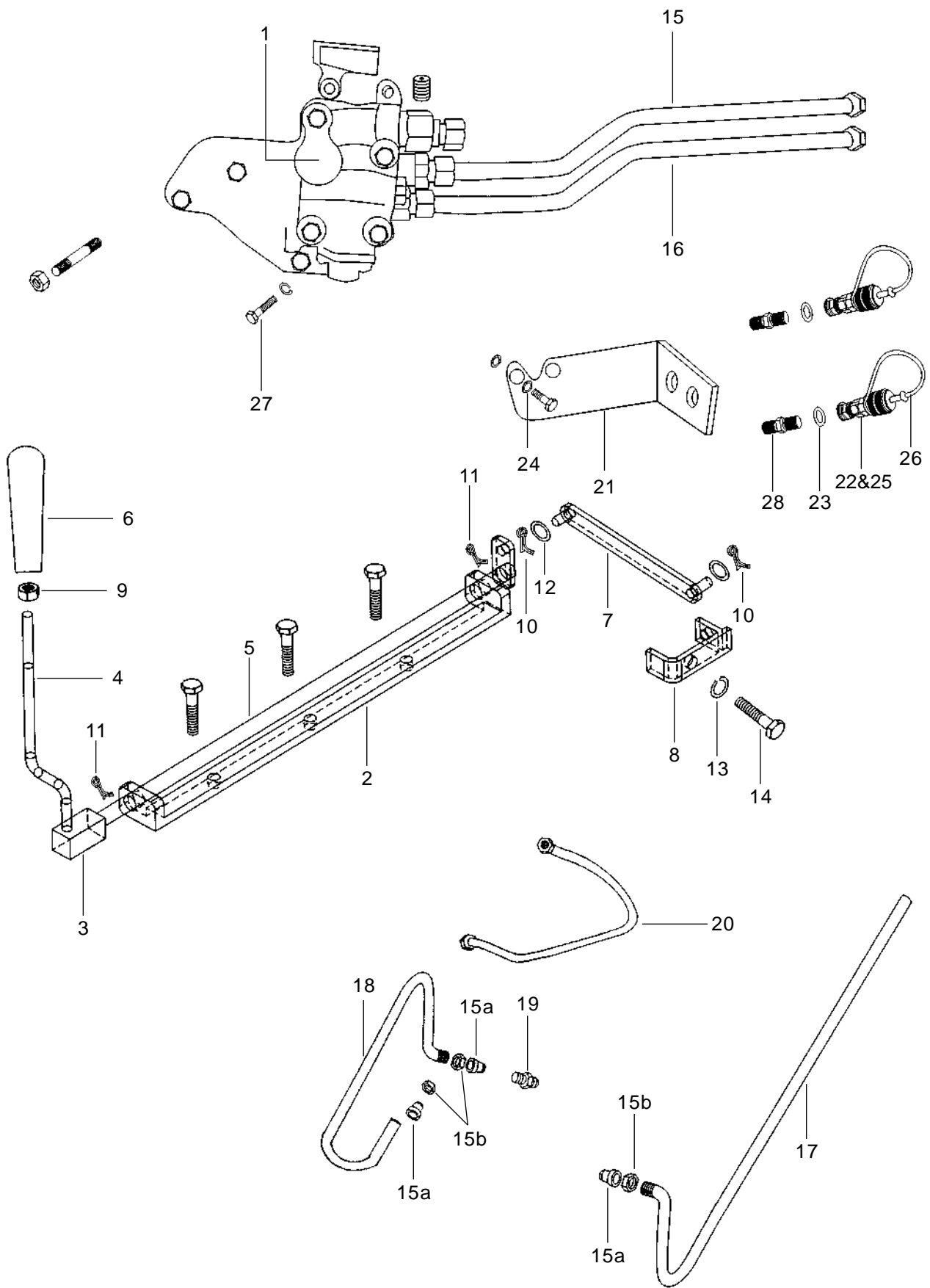
Hydraulic Suction Line



Hydraulic Suction Line

Ref.	Description of Part	Unit Quantity per tractor 4WD					Remarks / Service Bulletin No.
		6030		6530		7030	
		RSMA	RSMN	PSMF	PSMA	PSMX	
*	KIT for Common Suction Manifold Assembly of 18+8cc Pump Consists of	1	1	1	1	1	
*	▶ MANIFOLD Assy common suction pump.	1	1	1	1	1	
*	▶ SLEEVE for common suction manifold	1	1	1	1	1	
*	▶ O' RING (0.139" x 1.046")	1	1	1	1	1	
*	▶ O' RING (0.103" x 0.924")	2	2	2	2	2	
*	KIT of hardwares for Common Suction Manifold pump Consists of	1	1	1	1	1	
*	▶ ALLEN Screw M6 - 25L	2	2	2	2	2	
*	▶ ALLEN Screw M6 - 45L	1	1	1	1	1	
*	▶ TAB Washer	1	1	1	1	1	
*	▶ HEX. Nut 7/16"	1	1	1	1	1	
*	▶ KEY	1	1	1	1	1	
*	▶ PLAIN Washer	2	2	2	2	2	
*	SEAL KIT for Common Suction Pump Consists of	1	1	1	1	1	
*	▶ SHAFT Seal	4	4	4	4	4	
*	▶ BACKUP Ring	4	4	4	4	4	
*	▶ W Seal	4	4	4	4	4	
*	▶ O' RING (0.103" x 2.487")	5	5	5	5	5	
*	▶ O' RING (0.139" x 1.046")	1	1	1	1	1	
*	▶ O' RING (0.103" x 0.924")	2	2	2	2	2	

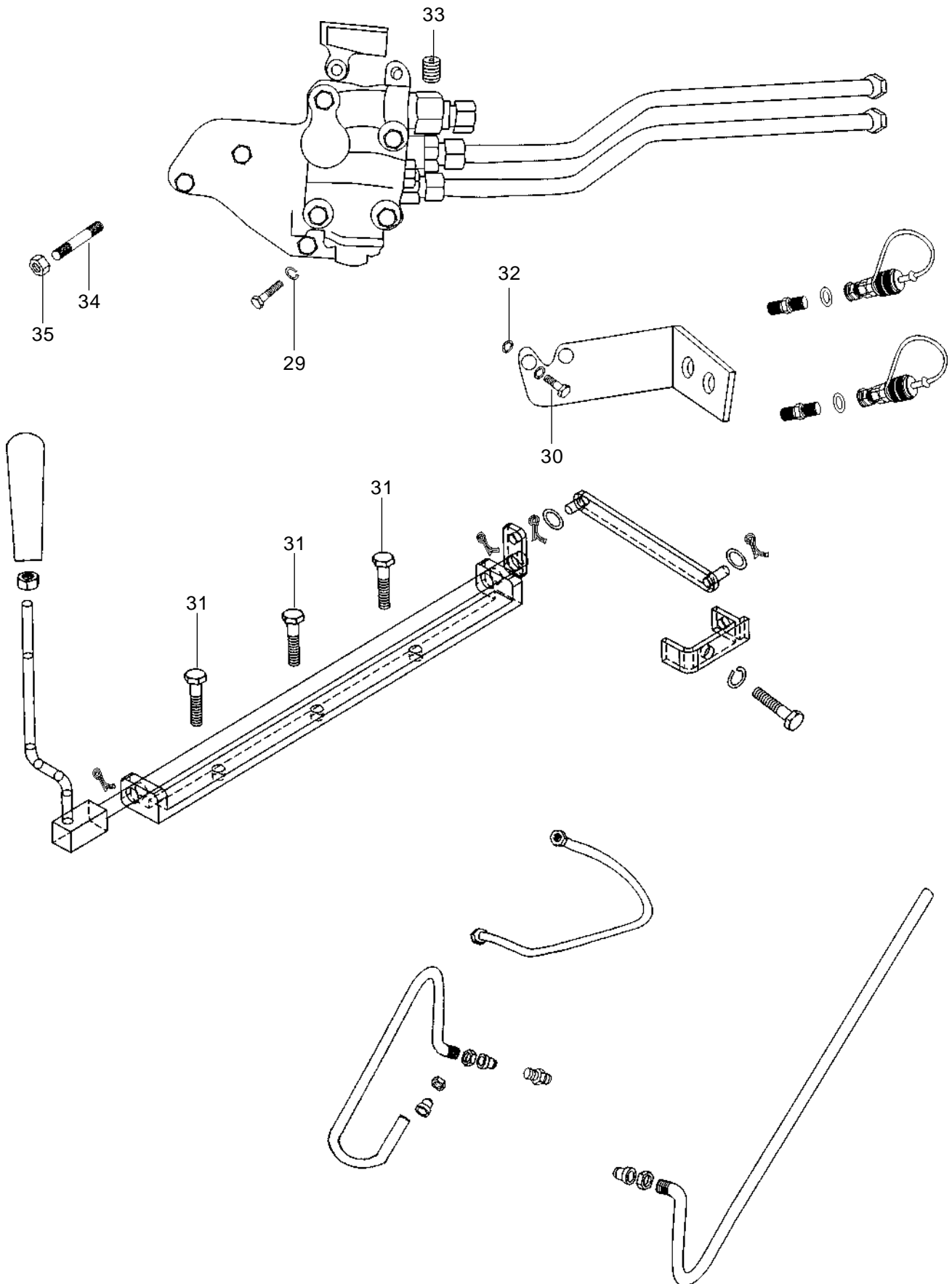
Auxiliary Valve - Single Spool



Auxiliary Valve - Single Spool

Ref.	Description of Part	Unit Quantity per tractor 4WD					Remarks / Service Bulletin No.
		6030		6530		7030	
		RSMA	RSMN	PSMF	PSMA	PSMX	
*	KIT Auxiliary Valve (Single Spool) Parts Consists of :	-	1	-	-	-	
1	▶ AUXILIARY Valve Assembly Complete	1	-	-	-	-	
2	▶ LH TO RH Assembly Complete Consists of	1	-	-	-	-	
*	▶ ASSY. Shaft Support Bracket Consists of	1	-	-	-	-	
3	▶ BRACKET Shaft Support	1	-	-	-	-	
4	▶ LEVER Assembly	1	-	-	-	-	
5	▶ SHAFT Operating	1	-	-	-	-	
6	▶ KNOB	1	-	-	-	-	
7	▶ LINK Connecting Aux. Valve	1	-	-	-	-	
8	▶ PLATE Clevis	1	-	-	-	-	
9	▶ NUT M8 x 1.25	1	-	-	-	-	
10	▶ PIN COTTER 3/32 x 1"	2	-	-	-	-	
11	▶ PIN COTTER	2	-	-	-	-	
12	▶ WASHER Plain	2	-	-	-	-	
13	▶ WASHER M10 Spring Lock	1	-	-	-	-	
14	▶ BOLT M10 x 1.5 x 20	1	-	-	-	-	
15	▶ PIPE Auxiliary Valve-Upper	1	-	-	-	-	
15a	▶ FERRULE 12 Dia. Pipe	10	-	-	-	-	
15b	▶ NUT 12 Dia. Pipe	10	-	-	-	-	
16	▶ PIPE Auxiliary Valve-Lower	1	-	-	-	-	
17	▶ PIPE Pressure Union to Union	1	-	-	-	-	
18	▶ PIPE Union to Aux. Valve 'P' Port	1	-	-	-	-	
19	▶ CONNECTOR M20	1	-	-	-	-	
20	▶ BYPASS Pipe Aux. Valve to Control Valve	1	-	-	-	-	
21	▶ QDC Mounting Bracket	1	-	-	-	-	
22	▶ QDC FEMALE	2	-	-	-	-	
23	▶ WASHER Plain	8	-	-	-	-	
24	▶ WASHER Plain	2	-	-	-	-	
25	▶ QDC MALE	2	-	-	-	-	
26	▶ QDC FEMALE - End Cap	2	-	-	-	-	
27	▶ BOLT 3/8" UNC x 1-1/2"	1	-	-	-	-	
28	▶ BULK HEAD Union with Nut for QDC	2	-	-	-	-	

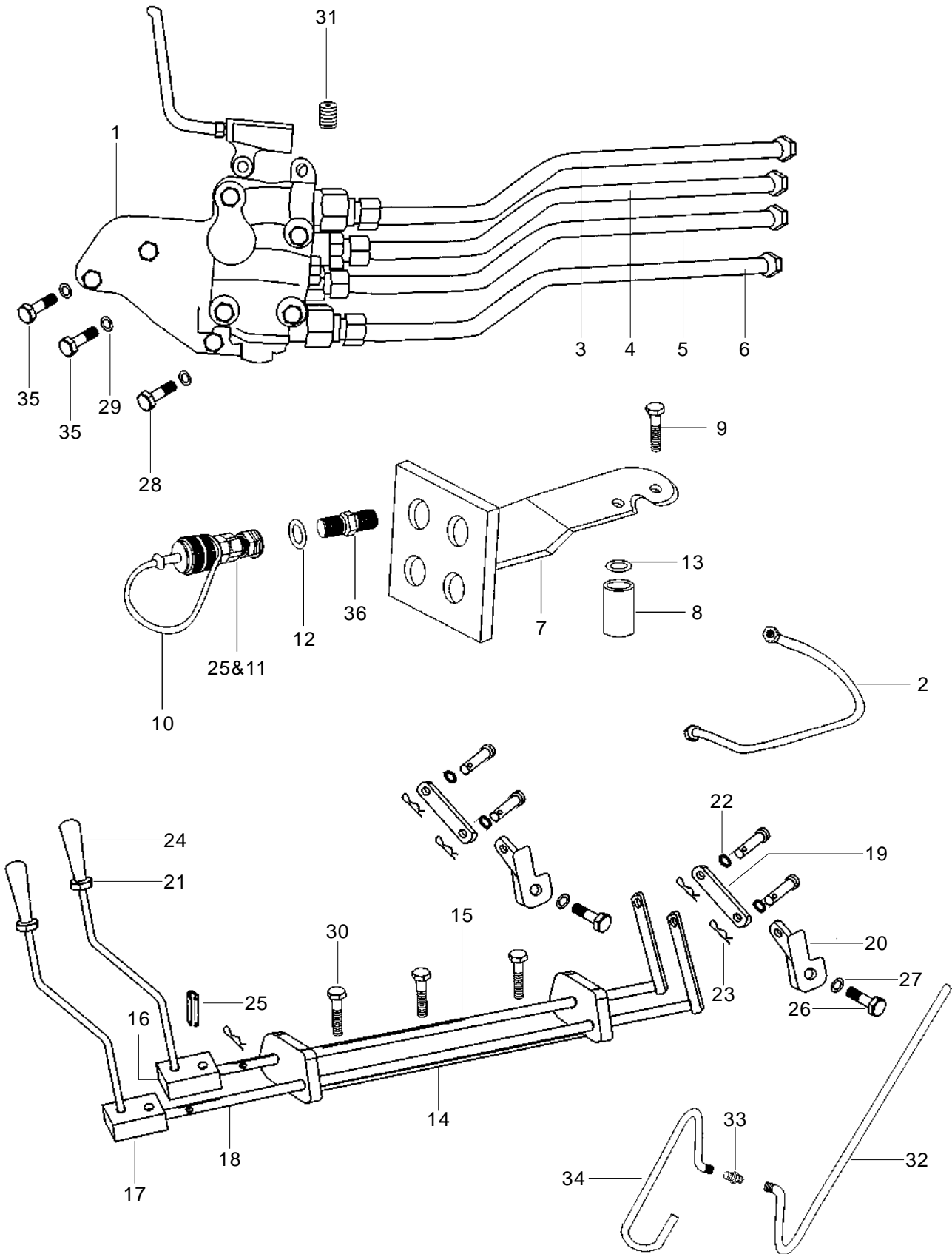
Auxiliary Valve - Single Spool



Auxiliary Valve - Single Spool

Ref.	Description of Part	Unit Quantity per tractor 4WD					Remarks / Service Bulletin No.
		6030		7030			
		RSMA	RSMN	PSMF	PSMA	PSMX	
29	▶ WASHER Spring Lock 3/8"	3	-	-	-	-	
30	▶ BOLT VTU Mounting	2	-	-	-	-	
31	▶ BOLT 5/16" UNC 1-1/8"	3	-	-	-	-	
32	▶ WASHER Plain	2	-	-	-	-	
*	▶ STICKER Aux. Valve Flow Direction	1	-	-	-	-	
*	▶ SOP Aux. Valve Fitment	1	-	-	-	-	
33	▶ BELLOW Aux. Valve	1	-	-	-	-	
34	STUD	2	-	-	-	-	
35	NUT	2	-	-	-	-	

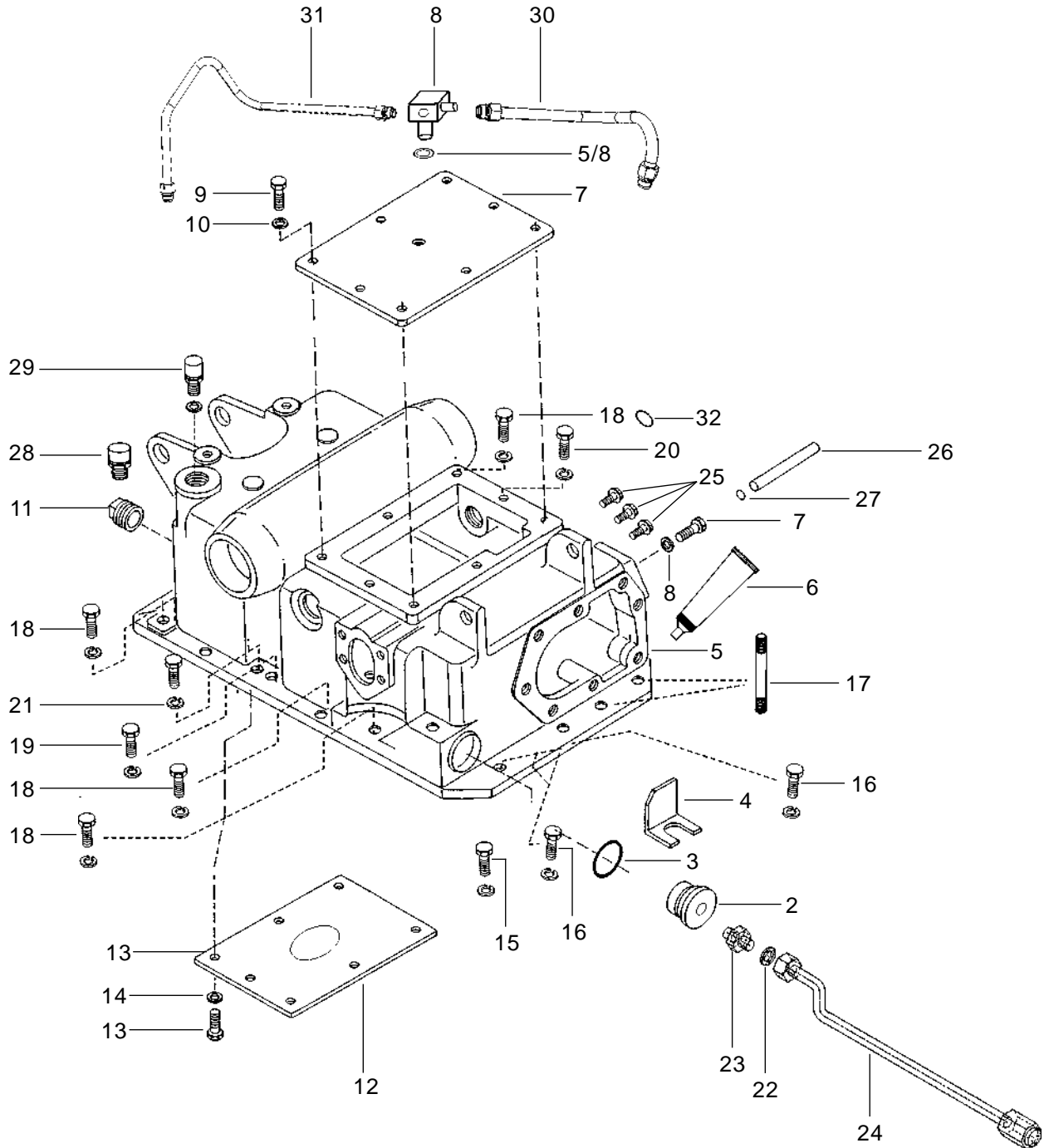
Auxiliary Valve Assembly - Double Spool



Auxiliary Valve Assembly - Double Spool

Ref.	Description of Part	Unit Quantity per tractor 4WD					Remarks / Service Bulletin No.
		6030		6530		7030	
		RSMA	RSMN	PSMF	PSMA	PSMX	
1	DOUBLE Spool Aux. Valve	-	-	1	1	1	
2	PIPE Pressure (Sub B Plate to VTU)	-	-	1	1	1	
3	PIPE Auxiliary Valve to QDC Port - A	-	-	1	1	1	
4	PIPE Auxiliary Valve to QDC Port - B	-	-	1	1	1	
5	PIPE Auxiliary Valve to QDC Port - C	-	-	1	1	1	
6	PIPE Auxiliary Valve to QDC Port - D	-	-	1	1	1	
7	QDC Mounting Bracket	-	-	1	1	1	
8	SPACER	-	-	2	2	2	
9	VTU Mounting Bolt	-	-	2	2	2	
10	QDC End Cap	-	-	4	4	4	
11	QDC MALE	-	-	4	4	4	
11a	QDC FEMALE NPTF	-	-	4	4	4	
12	WASHER Plain	-	-	16	16	16	
13	WASHER Plain	-	-	2	2	2	
B	LH to RH ASSY. (Double Stack Valve) Consists of	-	-	1	1	1	
14	▶ SHAFT Support Bracket	-	-	1	1	1	
15	▶ OPERATING SHAFT Upper	-	-	1	1	1	
16	▶ LEVER Inner Assembly	-	-	1	1	1	
17	▶ LEVER Outer Assembly	-	-	1	1	1	
18	▶ OPERATING SHAFT Lower	-	-	1	1	1	
19	▶ CONNECTING LINK Auxillary Valve	-	-	2	2	2	
20	▶ CLEVIS Plate	-	-	2	2	2	
21	▶ NUT M8 x 1.25	-	-	2	2	2	
22	▶ WASHER Plain	-	-	4	4	4	
23	▶ PIN Cotter 3/32 x 1"	-	-	7	7	7	
24	▶ KNOB	-	-	2	2	2	
*	▶ PIN Cotter 3/32 x 3/4	-	-	2	2	2	
25	▶ ROLL Pin Inner Differential Shaft Assembly	-	-	2	2	2	
26	BOLT M10 x 1.5 x 20	-	-	2	2	2	
27	WASHER 7/16" Spring Lock	-	-	2	2	2	
28	BOLT 3/8" UNC x 1-1/2"	-	-	2	2	2	
29	WASHER Spring Lock 3/8"	-	-	3	3	3	
30	BOLT 5/16" UNC 1-1/8"	-	-	3	3	3	
31	BELLOW Aux. Valve	-	-	1	1	1	
32	PIPE Union to Union	-	-	1	1	1	
33	STRAINGHT Coupling	-	-	1	1	1	
34	PIPE Union to 'P' Port Double	-	-	1	1	1	
*	STICKER Aux. Valve	-	-	1	1	1	
35	BOLT 3/8 UNC x 1.718 UNC	-	-	2	2	2	
36	BULK Head Union with Nut	-	-	4	4	4	

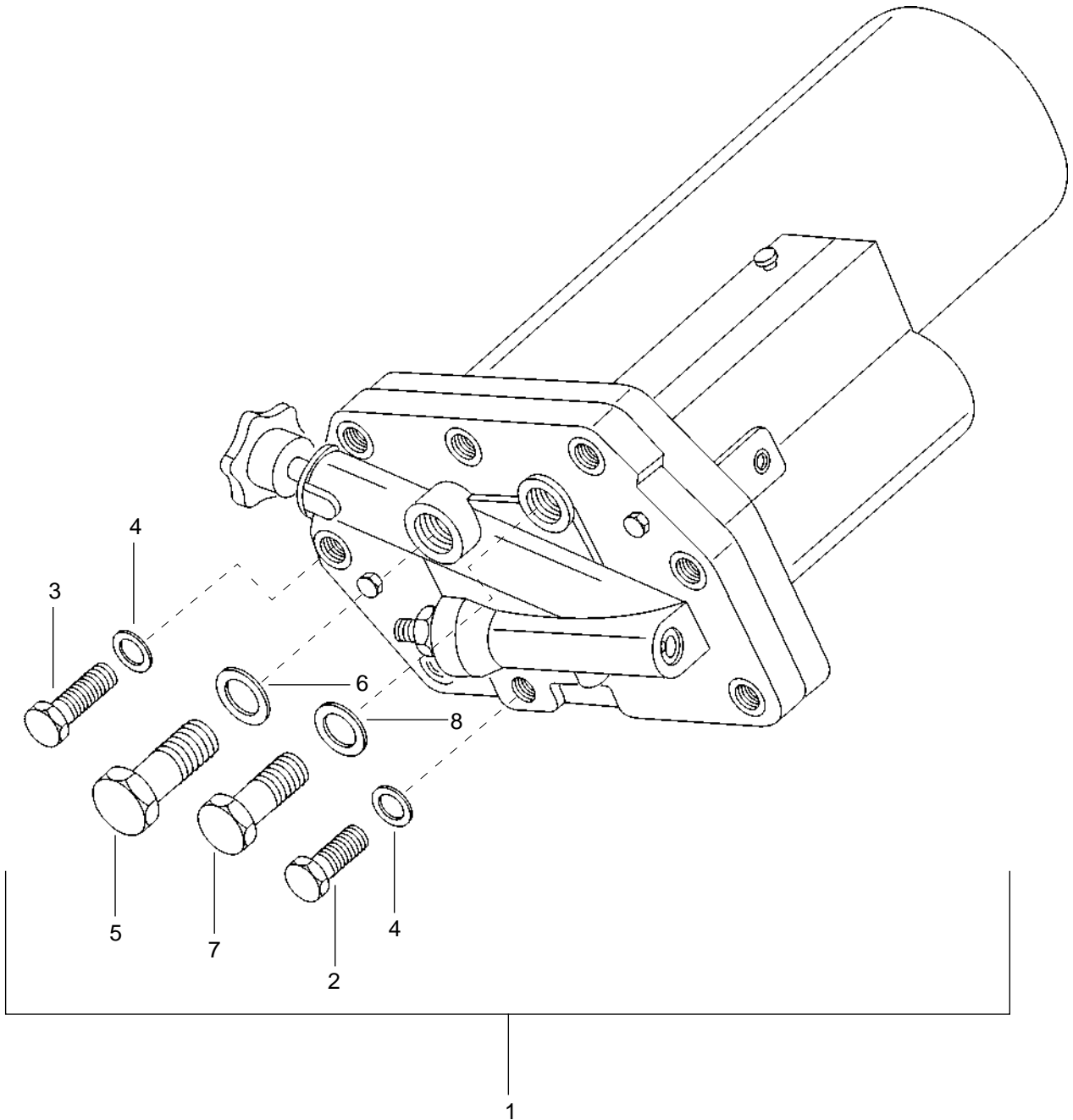
Hydraulic Lift Housing



Hydraulic Lift Housing

Ref.	Description of Part	Unit Quantity per tractor 4WD					Remarks / Service Bulletin No.
		6030		6530		7030	
		RSMA	RSMN	PSMF	PSMA	PSMX	
1	VTU Assembly Consist of:	1	1	–	–	–	
1	VTU Assembly Consist of:	–	–	1	1	1	
2	▶ SUCTION PLUG	1	1	1	1	1	
3	▶ O' RING	1	1	1	1	1	
4	▶ STRAPPER Suction Plug	1	1	1	1	1	
5	▶ HYDRAULIC Lift Housing	1	1	1	1	1	
6	▶ GASKET	1	1	1	1	1	
7	▶ TOP Cover Plate OIB SM	1	1	1	1	1	
8	▶ 4 WAY Connector	1	1	–	–	–	
8	▶ 4 WAY Connector	–	–	1	1	1	
9	▶ BOLT Hex. Head 5/16 UNC	8	8	8	8	8	
10	▶ WASHER Spring Lock 5/16	8	8	8	8	8	
11	▶ PLUG Drain 3/4 Magnetic	1	1	1	1	1	
12	▶ BOTTOM Cover Plate Complete	1	1	1	1	1	
13	▶ BOLT Hex. Head 5/16 UNC	2	2	2	2	2	
14	▶ WASHER 5/16" Spring Lock	2	2	2	2	2	
15	▶ BOLT 7/16" UNC	1	1	1	1	1	
16	▶ BOLT 7/16" UNC	12	12	12	12	12	
17	▶ STUD	2	2	2	2	2	
18	▶ BOLT 7/16" UNC	1	1	1	1	1	
19	▶ BOLT 7/16" UNC	5	5	5	5	5	
20	▶ BOLT 7/16" UNC	1	1	1	1	1	
21	▶ WASHER 7/16" Spring Lock	20	20	20	20	20	
22	WASHER Dowty 1/2"	1	1	1	1	1	
23	CONNECTOR 1/2" BSP x M20	1	1	1	1	1	
24	PIPE Loader Return Line	1	1	1	1	1	
25	PLASTIC Plug	3	3	3	3	3	
26	CONNECTOR Valve Return	1	1	1	1	1	
27	O' RING	1	1	1	1	1	
*	RLF PAD for Optional Auxiliary Valve	1	1	–	–	–	
28	ADAPTOR Breather	1	1	1	1	1	
29	BREATHER	1	1	1	1	1	
30	PIPE Auxiliary Plate to Three Way Connector OIB	1	1	1	1	1	
31	PIPE Three Way Connector to OIB LH	1	1	1	1	1	
*	PIPE Pressure OIB RH	1	1	1	1	1	
32	O' RING 7/8 x 3/32 RLF Pad	1	1	–	–	–	

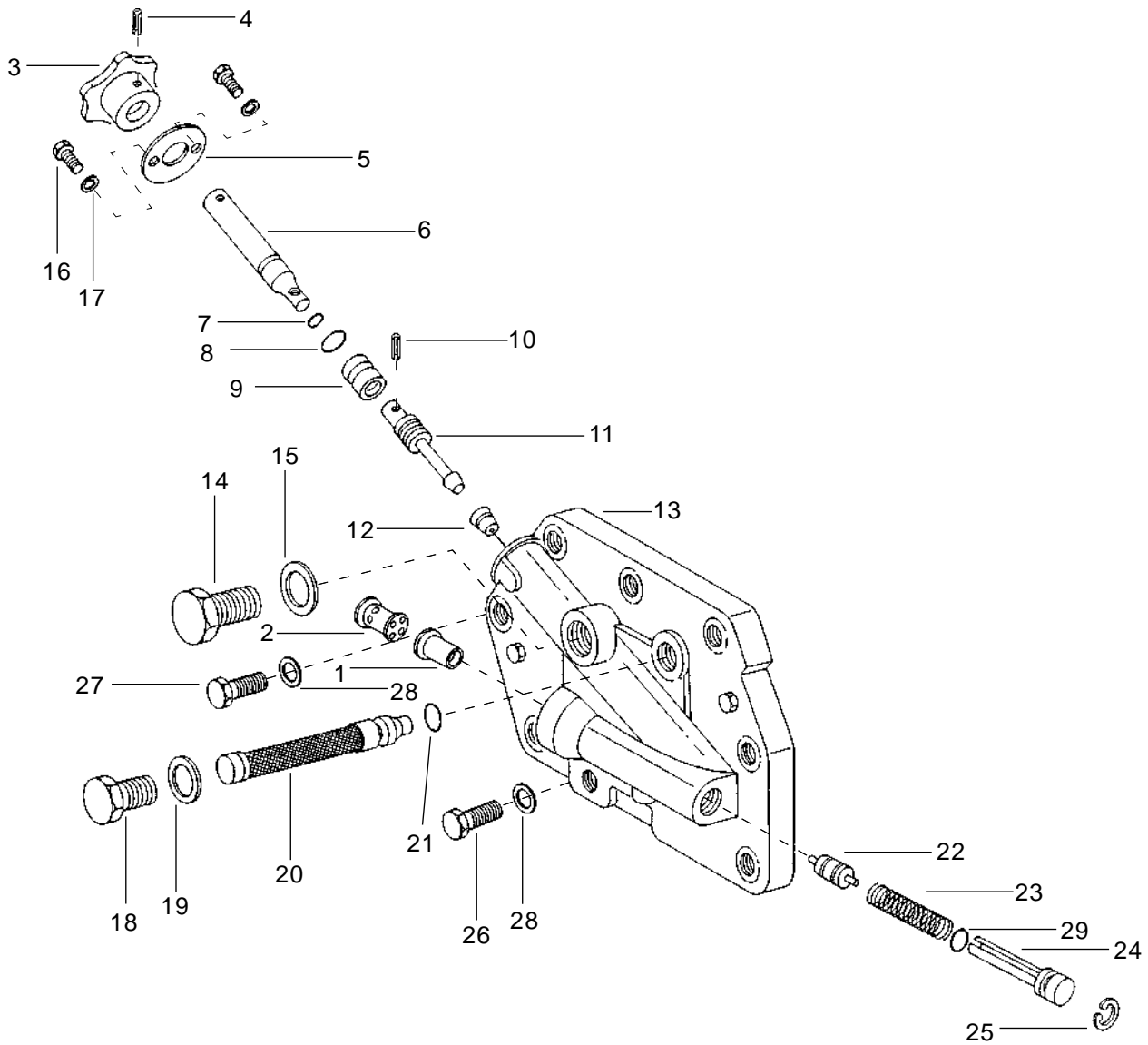
Control Valve Assembly



Control Valve Assembly

Ref.	Description of Part	Unit Quantity per tractor 4WD					Remarks / Service Bulletin No.
		6030		6530		7030	
		RSMA	RSMN	PSMF	PSMA	PSMX	
1	VALVE Control Assembly Consists of : Cylinder Head & Valve Body Assembly without any Linkages	1	1	1	1	1	
2	BOLT 1/2" x 2-1/2" Hex. Head	7	7	7	7	7	
3	BOLT 1/2" x 2-1/4" Hex. Head	1	1	1	1	1	
4	WASHER 1/2" Spring Lock	8	8	8	8	8	
5	PLUG 1/2" BSP Tapping Auxiliary	1	1	1	1	1	
6	WASHER Sealing 1/2" BSP	1	1	1	1	1	
7	BOLT Needle Valve Cover	1	1	1	1	1	
8	WASHER 5/8" Diameter	1	1	1	1	1	

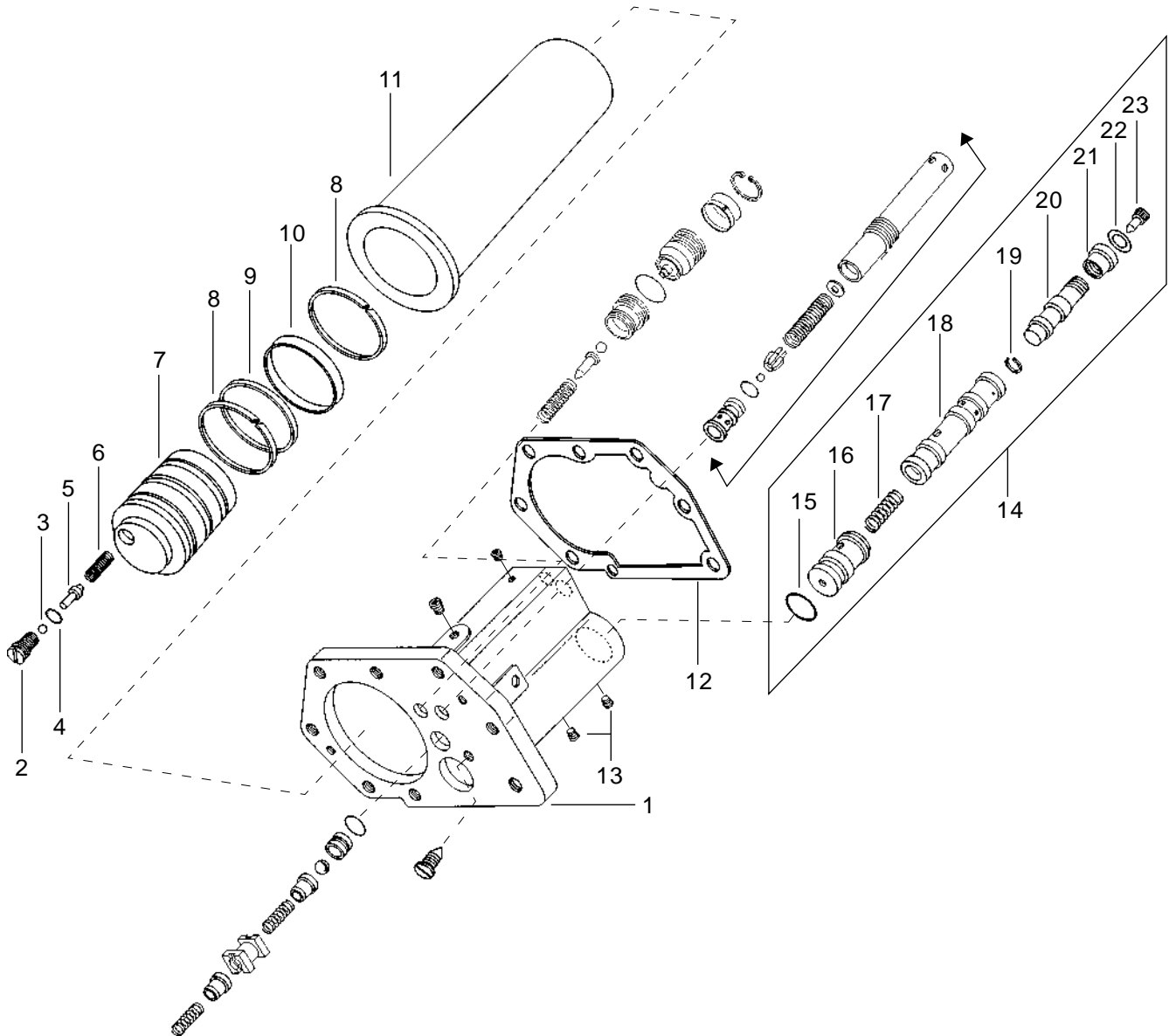
Control Valve - Cylinder Head



Control Valve - Cylinder Head

Ref.	Description of Part	Unit Quantity per tractor 4WD					Remarks / Service Bulletin No.
		6030		6530		7030	
		RSMA	RSMN	PSMF	PSMA	PSMX	
*	CYLINDER Head Assembly	1	1	1	1	1	
1	▶ SLEEVE Compensator	1	1	1	1	1	
13	▶ HEAD Cylinder	1	1	1	1	1	
2	SPACER Compensator	1	1	1	1	1	
14	PLUG 1/2 B.S.P.	1	1	1	1	1	
15	WASHER 1/2" "Dowty"	1	1	1	1	1	
*	ISOLATING Valve Assy	1	1	1	1	1	
3	▶ KNOB Isolating Valve Shut / Open	1	1	1	1	1	
4	▶ SPRING Pin 5/32 Ø x 7/5 Long	1	1	1	1	1	
5	▶ PLATE Stop	1	1	1	1	1	
6	▶ SHAFT Isolator Valve	1	1	1	1	1	
7	▶ O' RING 7/32 x 11/32 x 1/16	1	1	1	1	1	
8	▶ O' RING 15/32 x 31/32 x 3/32	1	1	1	1	1	
9	▶ BUSH Isolator Valve	1	1	1	1	1	
10	▶ PIN Groove 5/32 x 1/2 Long	1	1	1	1	1	
11	▶ VALVE Isolator	1	1	1	1	1	
12	▶ SEAT Isolator Valve	1	1	1	1	1	
16	BOLT 1/4 "UNC x 5/8" Long	2	2	2	2	2	
16a	ISOLATING Valve Lock	1	1	1	1	1	
17	WASHER Spring Lock	2	2	2	2	2	
18	BOLT VALVE Needle Cover	1	1	1	1	1	
19	WASHER Dowty 5/8"	1	1	1	1	1	
20	ORIFICE Assembly	1	1	1	1	1	
21	O' RING 1/4 x 3/8 x 1/16	1	1	1	1	1	
22	SPOOL Compensator	1	1	1	1	1	
23	SPRING Compensator	1	1	1	1	1	
24	PLUG Assembly Retainer Consist of	1	1	1	1	1	
25	CIRCLIP	1	1	1	1	1	
29	O' RING Rectangular	1	1	1	1	1	
26	BOLT 1/2 UNC x 2 1/4	1	1	1	1	1	
27	BOLT 1/2 UNC x 2 1/2	7	7	7	7	7	
28	WASHER 1/2 Spring Lock	8	8	8	8	8	

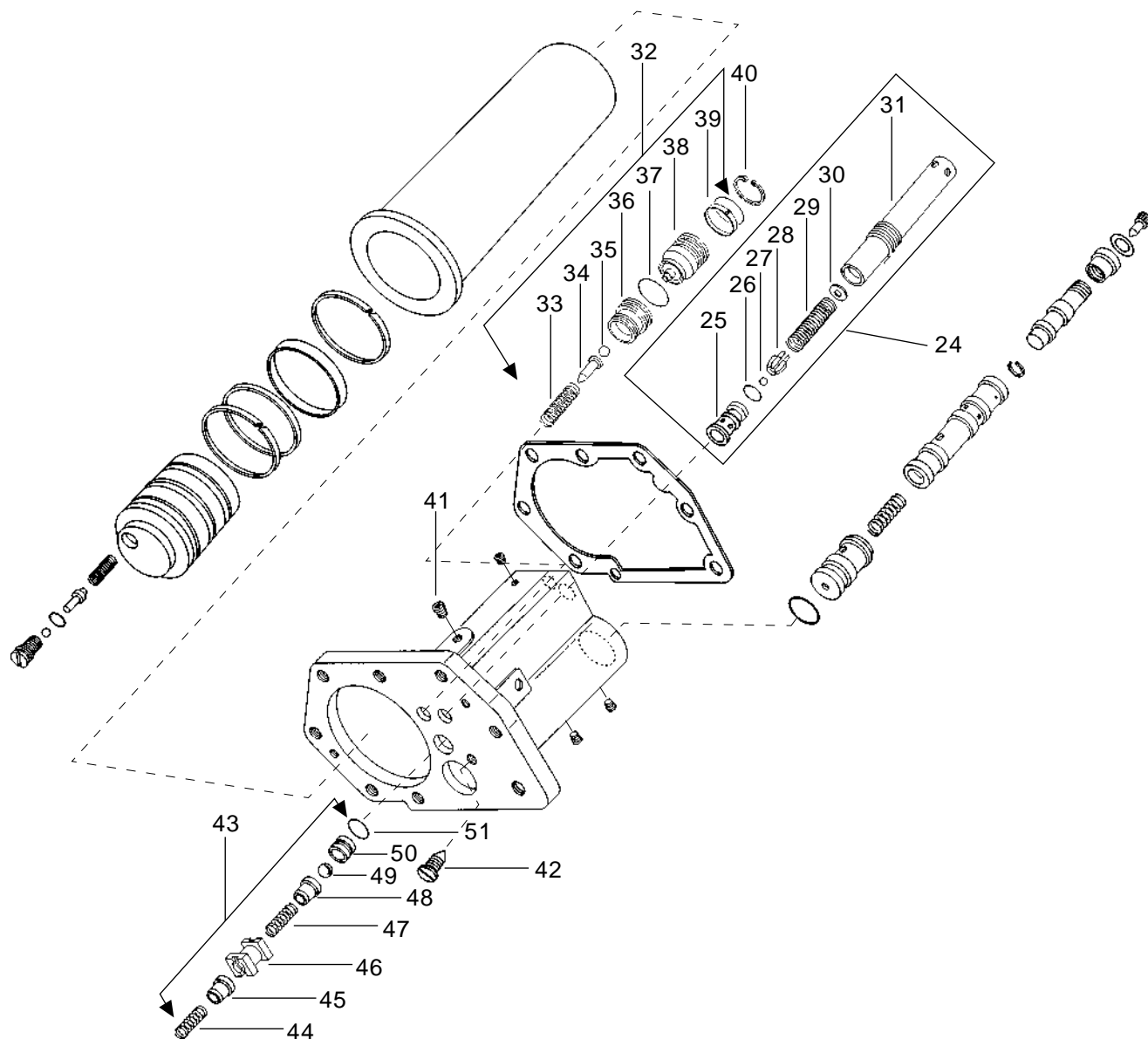
Control Valve Body



Control Valve Body

Ref.	Description of Part	Unit Quantity per tractor 4WD					Remarks / Service Bulletin No.
		6030		6530		7030	
		RSMa	RSMN	PSMF	PSMA	PSMX	
1	VALVE BODY ASSEMBLY Consist of	1	1	1	1	1	
*	▶ VALVE BODY Bare	1	1	1	1	1	
18	▶ SLEEVE Control Valve	1	1	1	1	1	
	PISTON Assembly Consists of	1	1	1	1	1	
2	▶ PLUG Relief Valve	1	1	1	1	1	
3	▶ BALL 3/32ø	1	1	1	1	1	
4	▶ O' RING 3/8 x 1/2 x 1/16	1	1	1	1	1	
5	▶ RIDER Relief Valve Ball	1	1	1	1	1	
6	▶ SPRING Valve	1	1	1	1	1	
7	▶ PISTON	1	1	1	1	1	
8	▶ RING 3 3/8 Cylinder Bearing	1	1	1	1	1	
9	▶ RING Seal - Retangular Section	1	1	1	1	1	
10	▶ RING Seal - Outer	1	1	1	1	1	
*	▶ SHIM Relief Valve	1	1	1	1	1	
11	LIFT Cylinder - Hydraulic	1	1	1	1	1	
12	GASKET Valve Body	1	1	1	1	1	
13	PLUG 1/8 NPTF	4	4	4	4	4	
14	BORE Assembly - Main Control Valve Consist of						
15	▶ O' RING	1	1	1	1	1	
16	▶ PLUG Main Sleeve	1	1	1	1	1	
17	▶ SPRING Main Valve	1	1	1	1	1	
18	▶ SLEEVE Control Valve	1	1	1	1	1	
19	▶ CIRCLIP 1/2 (Internal)	1	1	1	1	1	
20	▶ SPOOL Control Valve	1	1	1	1	1	
21	▶ MAIN Valve End Cap	1	1	1	1	1	
22	▶ SPRING Washer	1	1	1	1	1	
23	▶ ALLEN Screw M5 x 12mm	1	1	1	1	1	

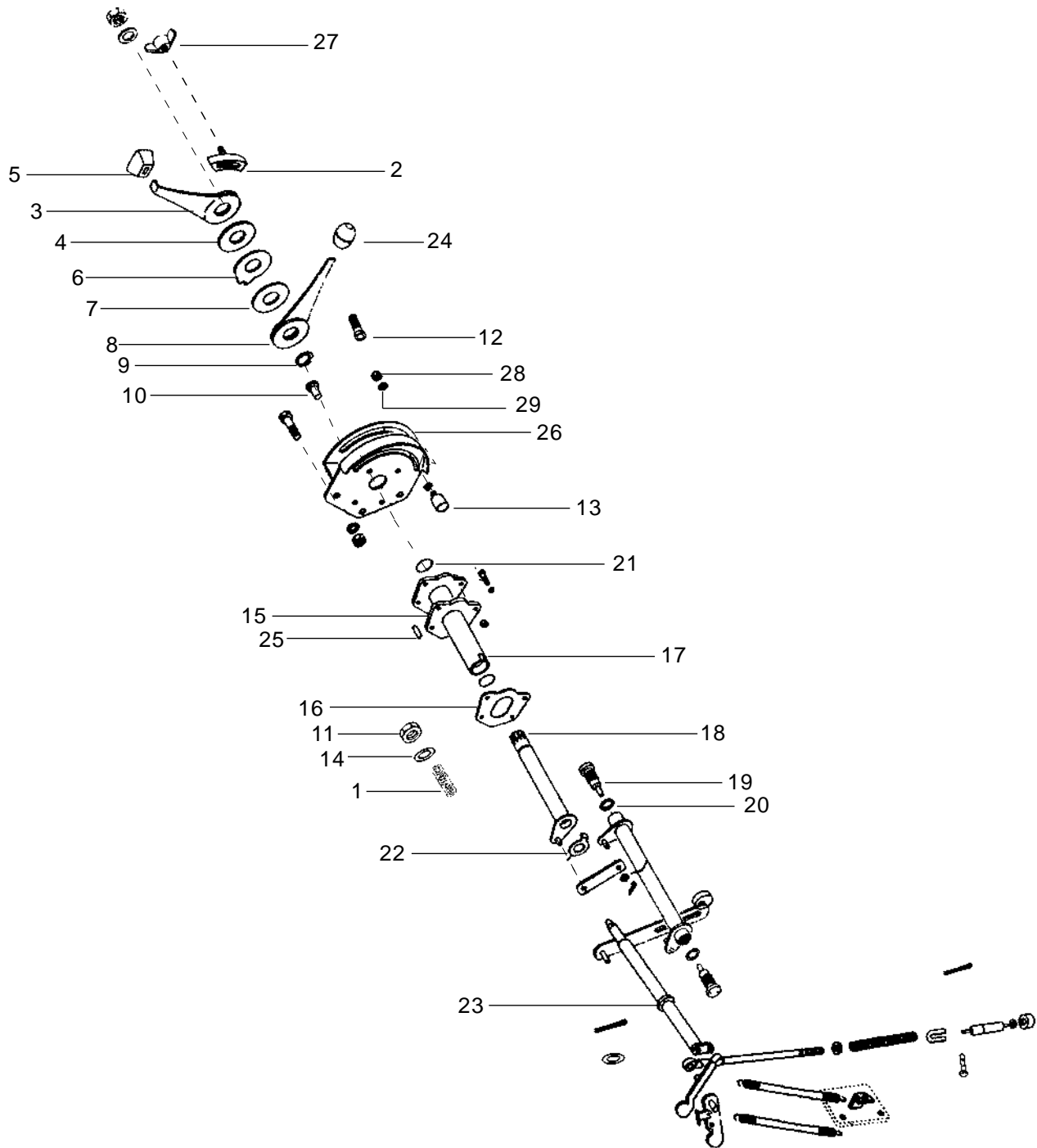
Control Valve Body



Control Valve Body

Ref.	Description of Part	Unit Quantity per tractor 4WD					Remarks / Service Bulletin No.
		6030		6530		7030	
		RSMA	RSMN	PSMF	PSMA	PSMX	
24	BORE Assembly - Relief Valve Consist of						
25	▶ SEAT Relief Valve	1	1	1	1	1	
26	▶ O' RING	1	1	1	1	1	
27	▶ BALL 3/8 Relief Valve	1	1	1	1	1	
28	▶ BALL Rider Relief Valve	1	1	1	1	1	
29	▶ SPRING Relief Valve	1	1	1	1	1	
30	▶ SHIM	1	1	1	1	1	
31	▶ HOUSING Relief Valve Spring	1	1	1	1	1	
32	BORE Assembly - Regulating Valve Consist of	1	1	1	1	1	
33	▶ SPRING Flow Control Valve Ball	1	1	1	1	1	
34	▶ RIDER Ball	1	1	1	1	1	
35	▶ BALL 9/16 Flow Control Valve	1	1	1	1	1	
36	▶ VALVE Ball Seat	1	1	1	1	1	
37	▶ O' RING 7/8 x 1-1/16 x 1/8	1	1	1	1	1	
38	▶ REGULATING Piston Assembly	1	1	1	1	1	
39	▶ BEARING Ring	1	1	1	1	1	
40	CIRCLIP 1-3/16 (Internal)	1	1	1	1	1	
41	PLUG 3/8 NPTF	1	1	1	1	1	
42	ORIFICE	1	1	1	1	1	
43	BORE Assembly - Check Valve Consist of						
44	▶ SPRING Check Valve Retainer	1	1	1	1	1	
45	▶ RETAINER - Check Valve	1	1	1	1	1	
46	▶ SLEEVE - Check Valve Ball	1	1	1	1	1	
47	▶ SPRING Non Return Valve	1	1	1	1	1	
48	▶ RIDER Non Return Valve	1	1	1	1	1	
49	▶ BALL 3/8 Non Return Valve	1	1	1	1	1	
50	▶ SEAT Check Valve	1	1	1	1	1	
51	▶ O' RING	1	1	1	1	1	

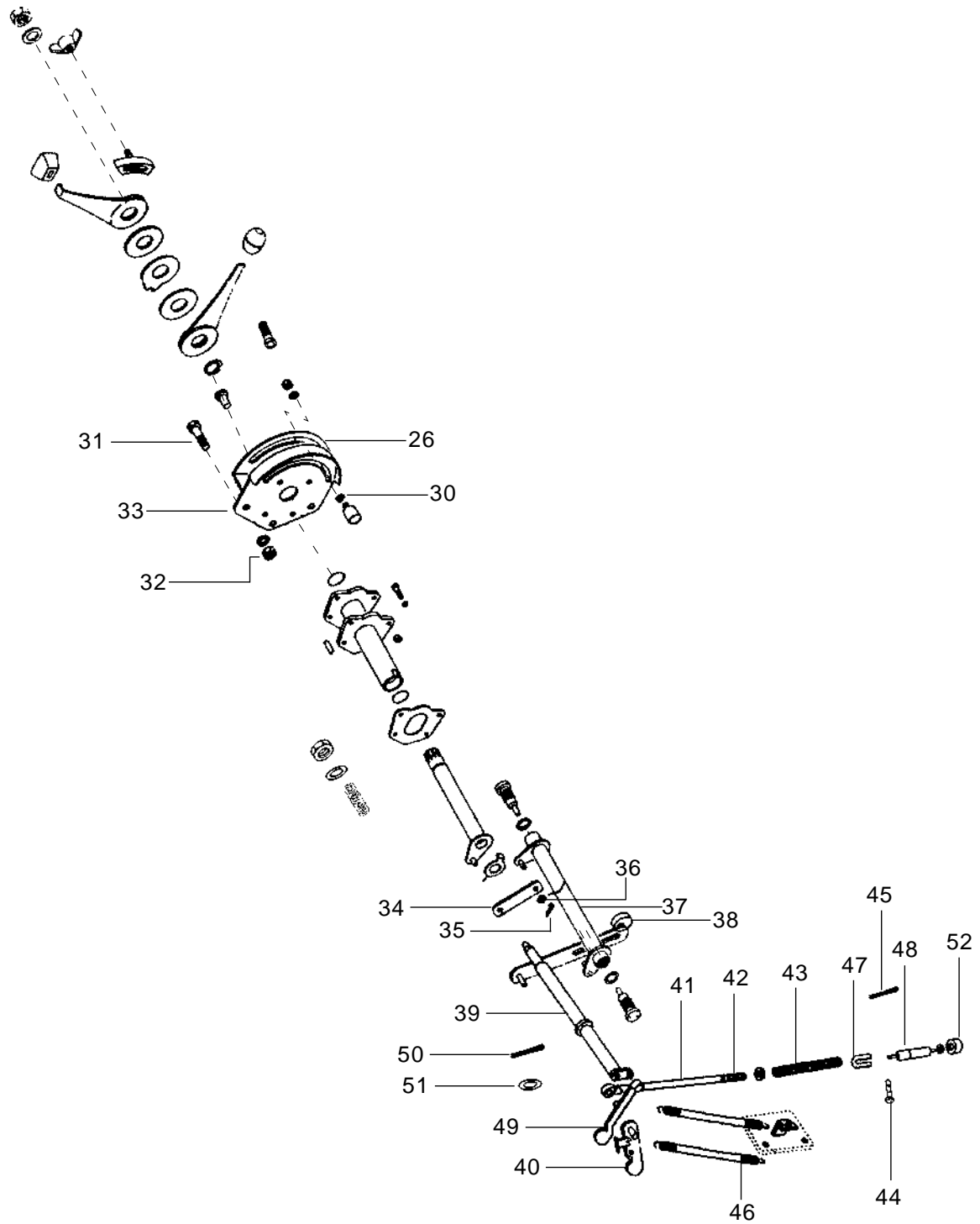
Hydraulic Control Levers



Hydraulic Control Levers

Ref.	Description of Part	Unit Quantity per tractor 4WD					Remarks / Service Bulletin No.
		6030		6530		7030	
		RSMA	RSMN	PSMF	PSMA	PSMX	
16	GASKET Control Lever Bracket	1	1	1	1	1	
19	CROSS Tube - Pivot	2	2	2	2	2	
20	WASHER Dowty	2	2	2	2	2	
A	QUADRANT Assembly Consist of	1	1	1	1	1	
1	▶ SPRING Draft Control Crankshaft	1	1	1	1	1	
2	▶ SLIDE Assembly Draft Consist of	1	1	1	1	1	
3	▶ LEVER Draft Control With Hub Consist of	1	1	1	1	1	
4	▶ DISC Friction Outer Position	1	1	1	1	1	
5	▶ KNOB DC Lever Consist of	1	1	1	1	1	
*	▶ ALLEN Screw	1	1	1	1	1	
6	▶ PLATE Friction	1	1	1	1	1	
7	▶ DISC Friction Draft Lever	1	1	1	1	1	
8	▶ LEVER Position Control With Hub Consist of	1	1	1	1	1	
9	▶ CIRCLIP 24mm	1	1	1	1	1	
10	▶ STOP - Control Lever	1	1	1	1	1	
11	▶ NUT G 15.875mm	1	1	1	1	1	
12	▶ ALLEN Screw	1	1	1	1	1	
13	▶ STOP - PC Lever	1	1	1	1	1	
14	▶ WASHER Plain	1	1	1	1	1	
15	▶ BRACKET Control Lever	1	1	1	1	1	
17	▶ O' RING 9/16 x 3/32 (Ps152)	1	1	1	1	1	
18	▶ SLEEVE Complete Position Control	1	1	1	1	1	
21	▶ O' RING 1 x 1/4 x 1/8 (Plate)	1	1	1	1	1	
22	▶ WASHER Tab	1	1	1	1	1	
23	▶ CRANKSHAFT Complete - Draft Control	1	1	1	1	1	
24	▶ KNOB PC Lever	1	1	1	1	1	
25	▶ PIN Spring Slotted (PS 172)	1	1	1	1	1	
26	▶ STRIP Control Lever Quadrant	1	1	1	1	1	
27	▶ STOP NUT - Control Lever	2	2	2	2	2	
28	▶ BOLT Lock Position Control	1	1	1	1	1	
29	▶ WASHER 3/8 Spring Lock - Plated	1	1	1	1	1	

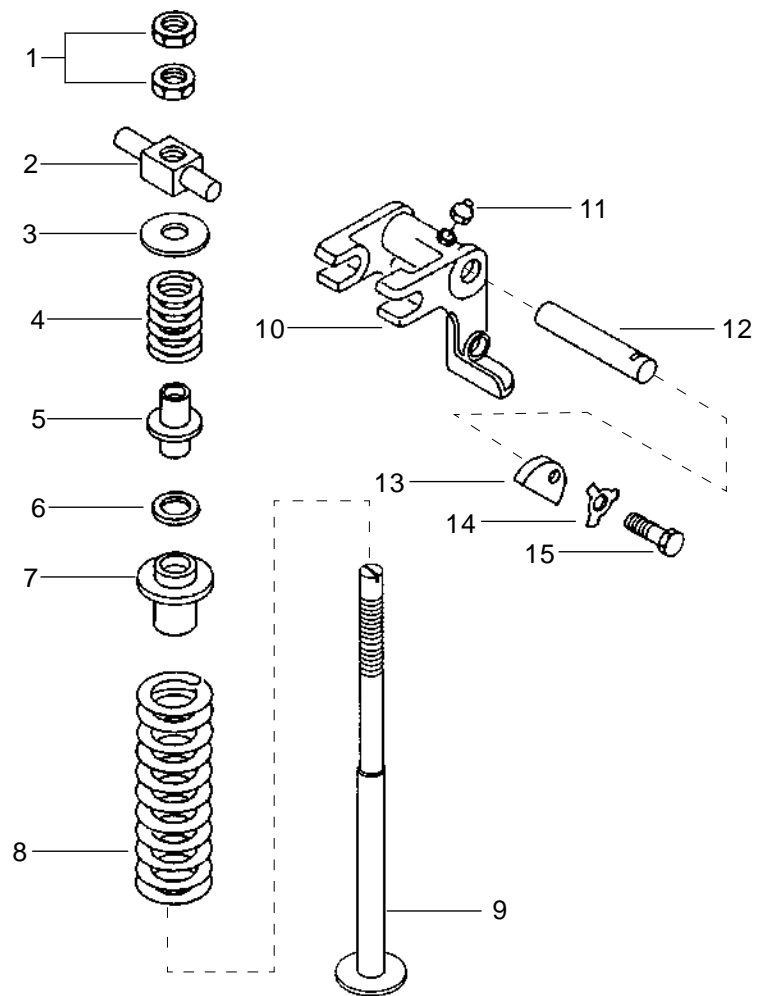
Hydraulic Control Levers



Hydraulic Control Levers

Ref.	Description of Part	Unit Quantity per tractor 4WD					Remarks / Service Bulletin No.
		6030		6530		7030	
		RSMA	RSMN	PSMF	PSMA	PSMX	
30	▶ WASHER Pin 13/32 x 13/16 x 16g	1	1	1	1	1	
31	▶ BOLT 3/8 UNC x 1-1/4 HX Head	4	4	4	4	4	
32	▶ NUT 3/8 UNC Plated	4	4	4	4	4	
33	▶ WASHER 3/8 Spring Lock-plated	4	4	4	4	4	
34	LINK Connecting	1	1	1	1	1	
35	PIN Cotter 3/32 x 3/4	2	2	2	2	2	
36	WASHER Plain 11/32 x 11/16 x 1/16	2	2	2	2	2	
37	CROSS Tube Complete - Position Control	1	1	1	1	1	
38	LINK Roller Complete	1	1	1	1	1	
39	LINK Complete - Position Control Actuating	1	1	1	1	1	
40	BRACKET Support Complete	1	1	1	1	1	
*	CIRCLIP Ext. 4 x 0.7 N - C Type	2	2	2	2	2	
*	WASHER Plain 6.4 x 18 x 1.5	2	2	2	2	2	
*	ALLEN M6 x 15 Long	1	1	1	1	1	
*	WASHER Spring Support bracket	1	1	1	1	1	
*	LOCATING Pin Support Bracket	1	1	1	1	1	
A	ASSEMBLY Draft Control Linkage Consist of	1	1	1	1	1	
41	▶ LINK Draft Complete	1	1	1	1	1	
42	▶ WASHER Plain 1-1/32 x 11/16 x 1/16	1	1	1	1	1	
43	▶ SPRING Draft Link	1	1	1	1	1	
44	▶ PIN St. Head 1/4 Ø x 7/8 Long	1	1	1	1	1	
45	▶ PIN Cotter 1/8 Ø x 3/4 Long	1	1	1	1	1	
46	▶ SPRING Draft Link Return	1	1	1	1	1	
47	▶ CLEVIS Draft Link	1	1	1	1	1	
48	▶ PLUNGER Assembly Draft Link Consist of	1	1	1	1	1	
*	▶ O' RING 7/16 Ø x 5/8 Ø 3/32	1	1	1	1	1	
49	▶ LINK DC Actuating Complete Consist of	1	1	1	1	1	
*	▶ C TYPE Ext. Circlip 5 x 0.7 N	1	1	1	1	1	
50	▶ PIN Cotter 1/8 x 3/4	1	1	1	1	1	
51	▶ WASHER Plain 11/32 x 11/16 x 1/16	1	1	1	1	1	
52	SEAL Oil Draft Link Plunger	1	1	1	1	1	

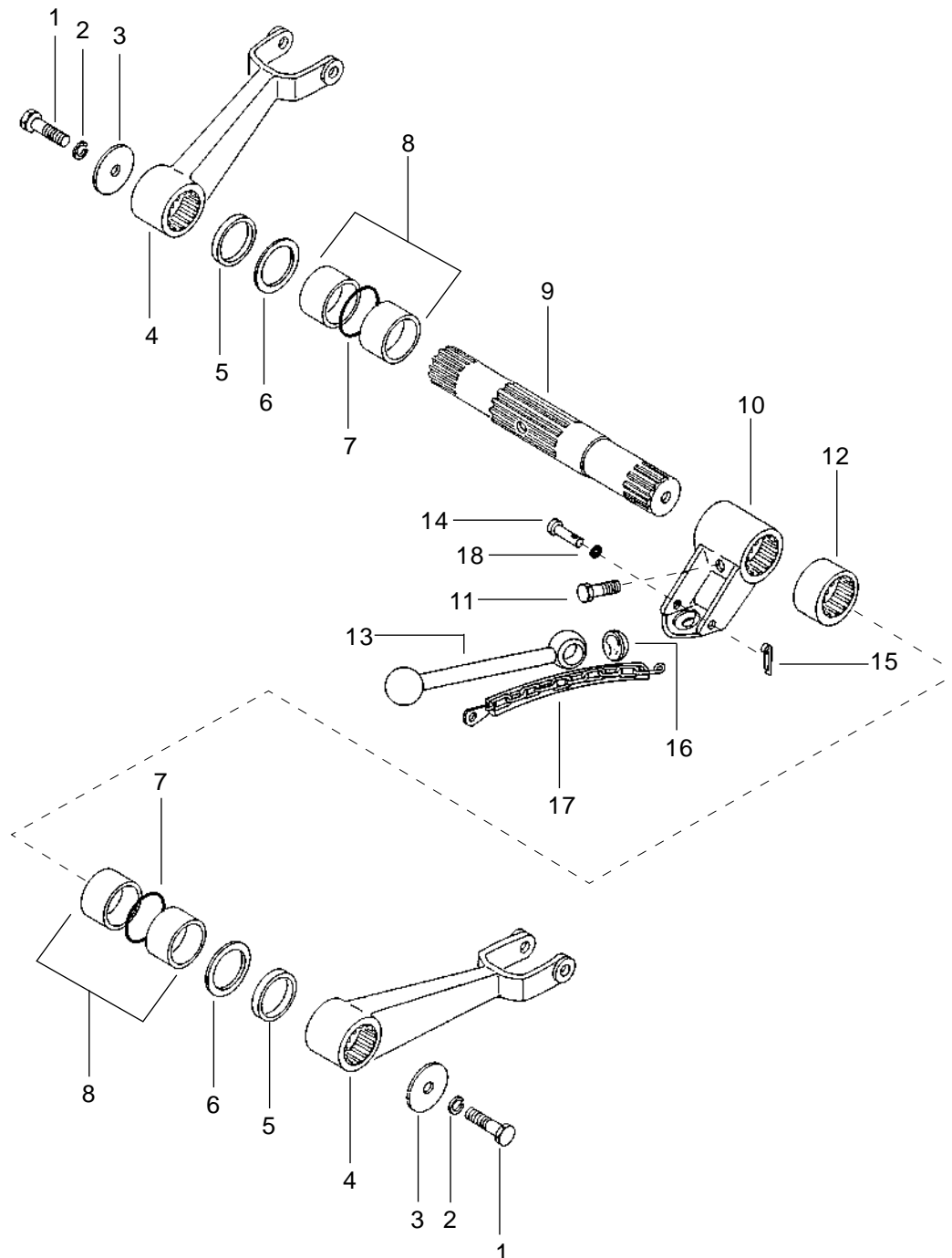
Bell Crank Assembly



Bell Crank Assembly

Ref.	Description of Part	Unit Quantity per tractor 4WD					Remarks / Service Bulletin No.
		6030		6530		7030	
		RSMA	RSMN	PSMF	PSMA	PSMX	
1	NUT Hex. 3/4 (Lock Nut)	2	2	2	2	2	
2	TRUNION	1	1	1	1	1	
3	SPACER Top Link Spindle	1	1	1	1	1	
4	SPRING Top Link	1	1	1	1	1	
5	SEAT Spring Small	1	1	1	1	1	
6	OIL Seal Top Link Spindle	1	1	1	1	1	
7	SEAT Compression Spring	1	1	1	1	1	
8	SPRING Top Link	1	1	1	1	1	
9	SPINDLE Top Link with Collar	1	1	1	1	1	
10	CRANK Top Link	1	1	1	1	1	
11	GREASE Nipple	1	1	1	1	1	
12	CRANK Shaft Top Link	1	1	1	1	1	
13	PLATE Lock Top Link	1	1	1	1	1	
14	TAB Washer	2	2	2	2	2	
15	BOLT Hex. 5/16 UNC x 5/8 Long	2	2	2	2	2	

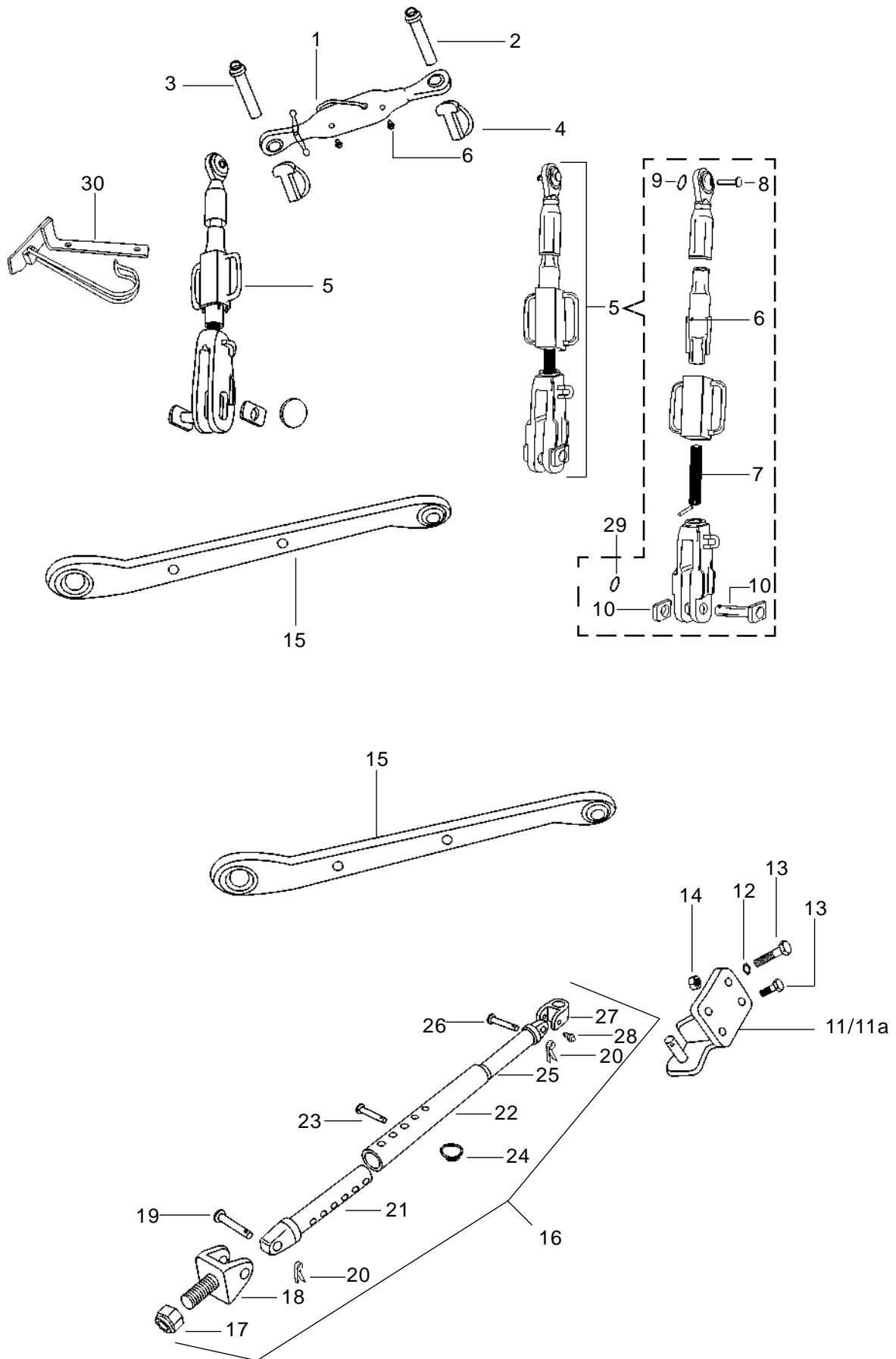
Hydraulic Lift Arms



Hydraulic Lift Arms

Ref.	Description of Part	Unit Quantity per tractor 4WD					Remarks / Service Bulletin No.
		6030		6530		7030	
		RSMA	RSMN	PSMF	PSMA	PSMX	
1	BOLT 1/2 UNC x 1-1/2 Long	2	2	2	2	2	
2	WASHER 1/2 Spring Long	2	2	2	2	2	
3	PLATE Lift Arm Retaining	2	2	2	2	2	
4	LIFT Arm	2	2	2	2	2	
5	OIL Seal Rockshaft	2	2	2	2	2	
6	WASHER Rockshaft	2	2	2	2	2	
7	O' RING Rockshaft	2	2	2	2	2	
8	BUSH (Sleeve) Rockshaft	4	4	4	4	4	
9	ROCKSHAFT Hydraulic	1	1	1	1	1	
10	ROCKER Arm Hydraulic	1	1	1	1	1	
11	ROCKER Arm Bolt 3/8 Unf x 1 x 1/8	1	1	1	1	1	
12	CAM Rockshaft	1	1	1	1	1	
13	ROD Connecting	1	1	1	1	1	
14	PIN Std Hd 5/16 x 3-1/4	1	1	1	1	1	
15	PIN Cotter 1/8 x 3/4	1	1	1	1	1	
16	BUSH Connecting Rod	1	1	1	1	1	
17	SAFETY Chain With Sleeve	1	1	1	1	1	
18	WASHER 11/32 x 11/16 x 1/16	1	1	1	1	1	

Three Point Linkages



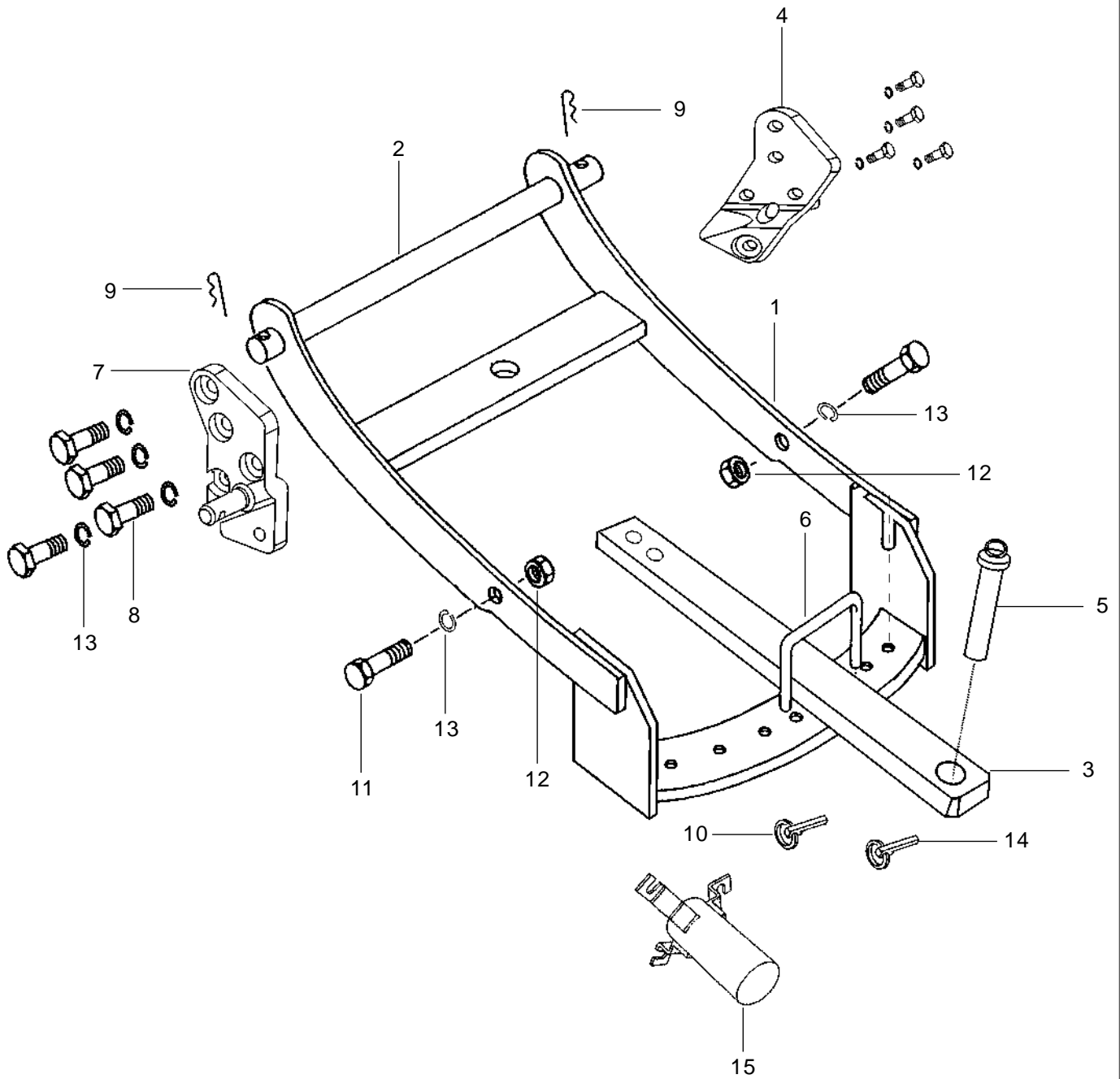
Three Point Linkages

Ref.	Description of Part	Unit Quantity per tractor 4WD					Remarks / Service Bulletin No.
		6030		6530		7030	
		RSMA	RSMN	PSMF	PSMA	PSMX	
1	UPPER Link Assembly	1	1	1	1	1	
2	PIN Top Link CAT I	1	1	1	1	1	
3	PIN Top Link CAT II	1	1	1	1	1	
4	LYNCH Pin Assembly	2	2	2	2	2	
5	LINK LIFT ASSEMBLY Consists of	2	2	2	2	2	
6	▶ NIPPLE Grease M6 x 1	2	2	2	2	2	
7	▶ SCREW Lift Link	2	2	2	2	2	
8	PIN Std Headed	2	2	2	2	2	
9	CLIP Spring	2	2	2	2	2	
10	PIN Lift Link Assembly	2	2	2	2	2	
11	BRACKET RAC End LH	1	1	1	1	1	
11a	BRACKET RAC End RH	1	1	1	1	1	
12	WASHER 5/8" Spring Lock	8	8	8	8	8	
13	BOLT 5/8" - UNC Hex. Head	8	8	8	8	8	
14	NUT 5/8" - 11 UNC Hex.	4	4	4	4	4	
15	LOWER LINK Complete	2	2	2	2	2	
16	ASSEMBLY Strut Stabilizer Consist of	2	2	2	2	2	
17	▶ NUT M24 x 3 Nylock	2	2	2	2	2	
18	▶ FORK Link End	2	2	2	2	2	
19	▶ PIN Headed Link End	2	2	2	2	2	
20	▶ PIN Split Cotter	4	4	4	4	4	
21	▶ EYE Bolt Link End	2	2	2	2	2	
22	▶ TUBE Strut Stabilizer	2	2	2	2	2	
23	▶ PIN Headed Stabilizer	2	2	2	2	2	
24	▶ CLIP Spring	2	2	2	2	2	
25	▶ EYE Bolt RAC End	2	2	2	2	2	
26	▶ PIN Headed RAC End	2	2	2	2	2	
27	▶ FORK RAC End	2	2	2	2	2	
28	NIPPLE Grease	2	2	2	2	2	
*	CLIP Spring	2	2	2	2	2	
29	CLIP Spring	2	2	2	2	2	
30	HANGER Top Link	1	1	1	1	1	
*	BUSH Top Link CAT 1 (Only for Spares)	1	1	1	1	1	
*	BUSH Lower Link CAT 1	2	2	2	2	2	
*	SPACER Seat Mounting	2	2	2	2	2	
*	BOLT 3/8 UNC x 3 Hex. Head	2	2	2	2	2	
*	WASHER 3/8" Sp. Lock	2	2	2	2	2	
*	WASHER Plain 10mm x 24mm x 3mm	2	2	2	2	2	
*	NUT 5/8" UNC Plated	4	4	4	4	4	

ATTACHMENTS

Swinging Drawbar Attachment	190 - 191
Clevis Drawbar	192 - 193
Tow Hook	194 - 195

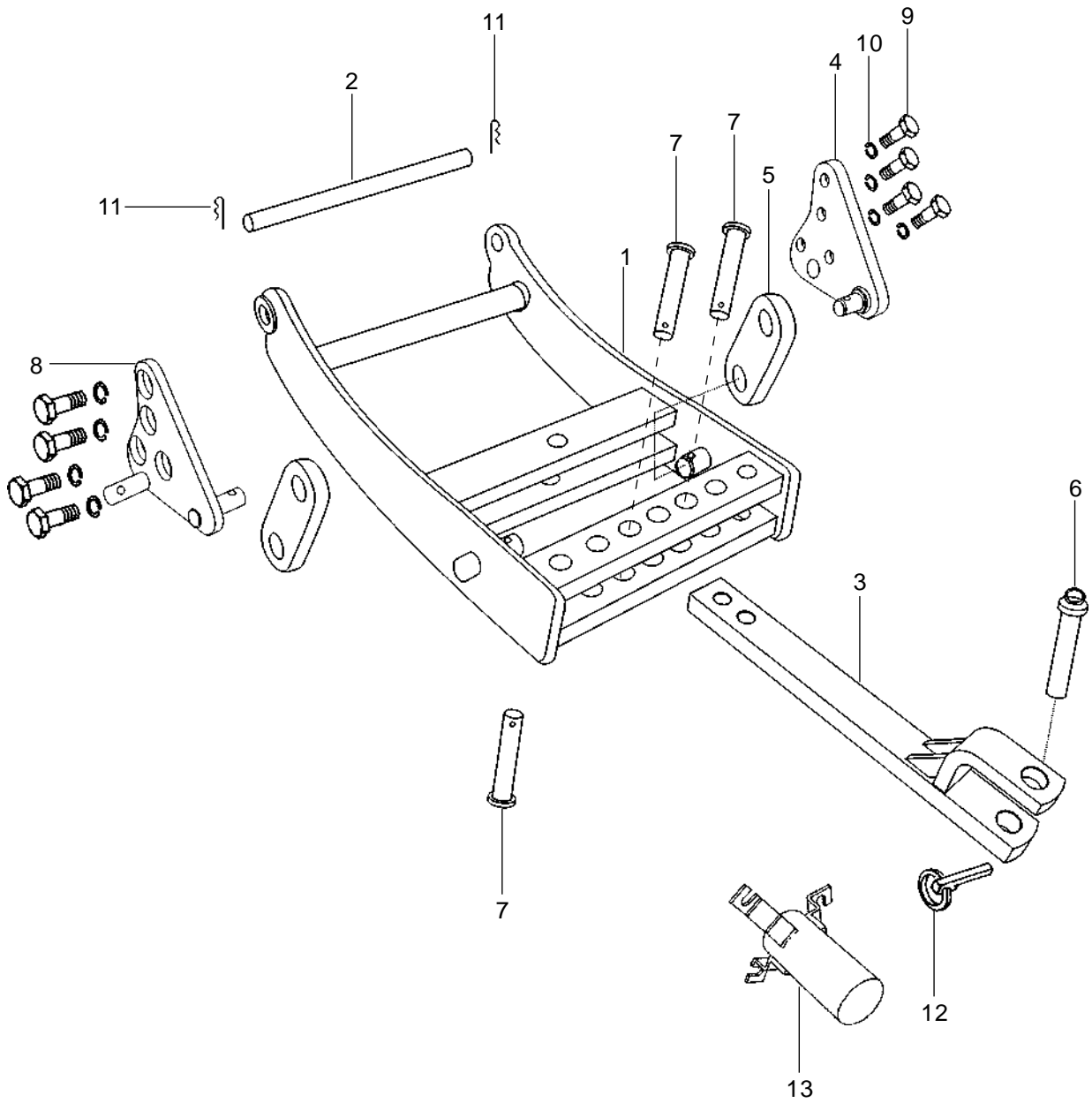
Swinging Drawbar Attachment



Swinging Drawbar Attachment

Ref.	Description of Part	Unit Quantity per tractor 4WD					Remarks / Service Bulletin No.
		6030		6530		7030	
		RSMA	RSMN	PSMF	PSMA	PSMX	
1	FRAME Drawbar Complete	-	-	1	-	1	
2	PIN Pivot Frame	-	-	1	-	1	
3	DRAWBAR Swinging Complete	-	-	1	-	1	
4	PLATE Drawbar Support Complete RH	-	-	1	-	1	
5	PIN Coupling Complete	-	-	1	-	1	
6	PIN Sway Arrest	-	-	1	-	1	
7	PLATE Drawbar Support Complete LH	-	-	1	-	1	
8	BOLT 3/4" UNC	-	-	8	-	8	
9	CLIP Spring	-	-	2	-	2	
10	LYNCH Pin Assembly	-	-	1	-	1	
11	BOLT G 19.05mm	-	-	2	-	2	
12	HEX. Nut	-	-	2	-	2	
13	WASHER Spring	-	-	10	-	10	
14	LYNCH Pin Assembly	-	-	1	-	1	
15	PTO Cap	-	-	1	-	1	

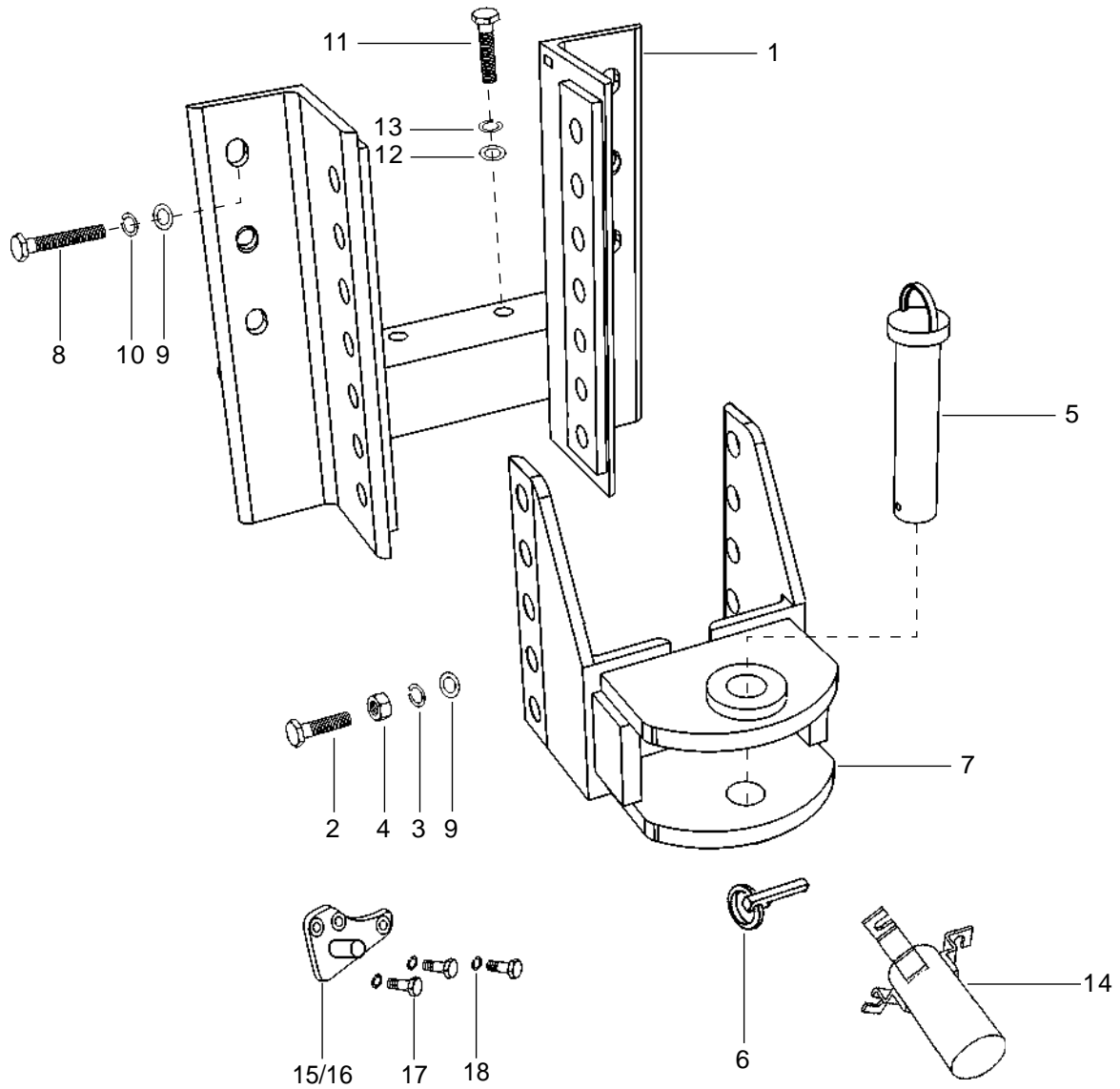
Clevis Drawbar



Clevis Drawbar

Ref.	Description of Part	Unit Quantity per tractor 4WD					Remarks / Service Bulletin No.
		6030		6530		7030	
		RSMA	RSMN	PSMF	PSMA	PSMX	
1	FRAME Drawbar Complete	1	-	-	1	-	
2	PIN Pivot Frame	1	-	-	1	-	
3	DRAWBAR Swinging Complete	1	-	-	1	-	
4	PLATE Drawbar Support Complete RH	1	-	-	1	-	
5	LINK Drawbar Support	2	-	-	2	-	
6	PIN Coupling Complete	1	-	-	1	-	
7	PIN Sway Arrest	3	-	-	3	-	
8	PLATE Drawbar Support Cpte. LH	1	-	-	1	-	
9	BOLT 3/4" UNC	8	-	-	8	-	
10	WASHER 3/4" Spring Lock	8	-	-	8	-	
11	CLIP Spring	2	-	-	2	-	
12	LYNCH Pin Assembly	8	-	-	8	-	
13	PTO Cap	1	-	-	1	-	

Tow Hook



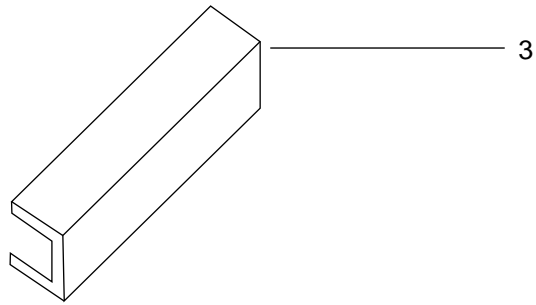
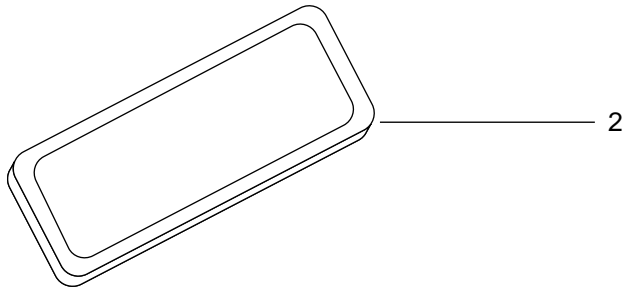
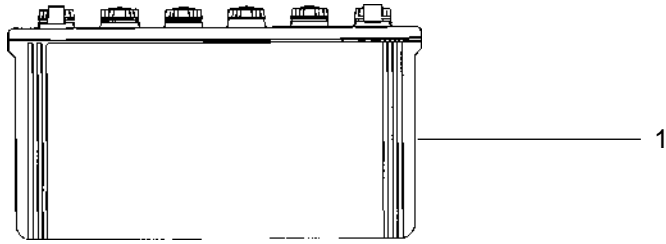
Tow Hook

Ref.	Description of Part	Unit Quantity per tractor 4WD					Remarks / Service Bulletin No.
		6030		6530		7030	
		R SMA	R SMN	PSMF	PSMA	PSMX	
1	TOW-HOOK	-	1	-	-	-	
2	BOLT Toe Hook Mtg.	-	6	-	-	-	
3	WASHER Spring	-	6	-	-	-	
4	NUT Toe Hook Mtg.	-	6	-	-	-	
5	TOW Hook Pin	-	1	-	-	-	
6	LYNCH Pin	-	1	-	-	-	
7	TOW HOOK Bkt.	-	1	-	-	-	
8	BOLT Tow Hook Bkt. Mtg.	-	6	-	-	-	
9	WASHER Plain	-	6	-	-	-	
10	WASHER Spring	-	6	-	-	-	
11	BOLT Tow Hook Bkt. Mtg. Lower Side	-	2	-	-	-	
12	WASHER Plain	-	2	-	-	-	
13	WASHER Spring	-	2	-	-	-	
14	PTO Cap	-	1	-	-	-	
15	PLATE Lower Link LH Complete	-	1	-	-	-	
16	PLATE Lower Link RH Complete	-	1	-	-	-	
17	BOLT 3/4 UNC x 1.3/85	-	6	-	-	-	
18	WASHER Spring Lock	-	6	-	-	-	

ELECTRICALS

Wiring Harness	196 - 197
Lamp Assembly	198 - 199
Alternator, Starter Motor & Instruments	200 - 201

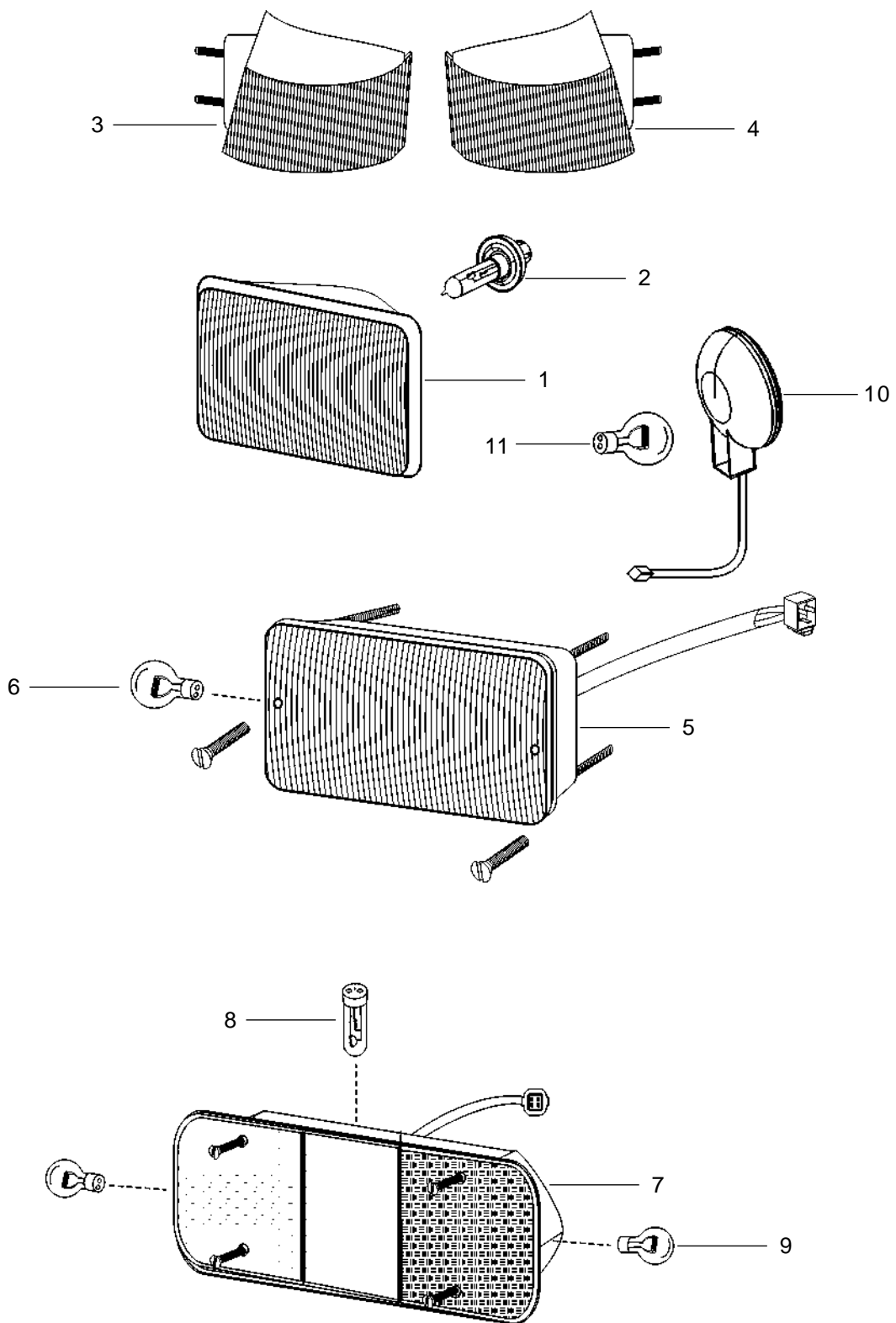
Wiring Harness



Wiring Harness

Ref.	Description of Part	Unit Quantity per tractor 4WD					Remarks / Service Bulletin No.
		6030		6530		7030	
		RSMA	RSMN	PSMF	PSMA	PSMX	
1	BATTERY	1	1	1	1	1	
2	PAD Battery Mounting	1	1	1	1	1	
3	PAD BATTERY	2	2	2	2	2	
*	STUD Battery Mounting	2	2	2	2	2	
*	BRACKET Battery Holding	1	1	1	1	1	
*	CABLE Positive for Battery	1	1	1	1	1	
*	CABLE Negative for Battery	1	1	1	1	1	
*	WIRING Harness Front	1	1	1	1	1	
*	WIRING Harness Central	1	1	-	-	-	
*	WIRING Harness Central	-	-	1	1	1	
*	WIRING Harness Fender LH	1	1	-	-	-	
*	WIRING Harness Fender LH	-	-	1	1	1	
*	WIRING Harness Fender RH	1	1	-	-	-	
*	WIRING Harness Fender RH	-	-	1	1	1	
*	CLIP Wiring Harness	7	7	7	7	7	
*	TIMER Relay - BERU	1	1	1	1	1	

Lamp Assembly



Lamp Assembly

Ref.	Description of Part	Unit Quantity per tractor 4WD					Remarks / Service Bulletin No.
		6030		6530		7030	
		RSMA	RSMN	PSMF	PSMA	PSMX	
1	HEAD Lamp	2	2	2	2	2	
2	BULB Halogen for Head Lamp 14 V, 55/60 W	2	2	2	2	2	
3	LAMP Parking Front RH	1	1	1	1	1	
4	LAMP Parking Front LH	1	1	1	1	1	
5	LAMP P&Ts	2	2	2	2	2	
6	BULB for P&Ts Lamp 12 V, 21/5 W	2	2	2	2	2	
7	LAMP 3 in One LH	1	1	-	-	-	
7	LAMP 3 in One RH	1	1	-	-	-	
7	LAMP 3 in One	-	-	2	2	2	
8	BULB Parking 12 V, 5 W	2	2	2	2	2	
9	BULB Brake Light or Turn Signal 12 V, 21W	4	4	4	4	4	
10	LAMP Plough	1	1	-	-	-	
10	LAMP Plough	-	-	1	1	1	
11	BULB Halogen for Plough Lamp 12 V, 55 W	1	1	1	1	1	
*	BOLT M8 x 35	1	1	1	1	1	
*	WASHER Plain	1	1	1	1	1	
*	BUSH Rubber Pin Latch	6	6	6	6	6	
*	BULB Instrument 12 V, 3 W Wedge Type 'E' Mark	3	3	3	3	3	
*	LAMP Indicator - Heater Plug	1	1	1	1	1	
*	BOLT M6 x 20 Hex.	1	1	1	1	1	
*	WASHER Plain M6	1	1	1	1	1	
*	WASHER Spring M6	1	1	1	1	1	
*	NUT M6	1	1	1	1	1	
*	FUSE 10 Amp Blade Type	5	5	5	5	5	
*	FUSE 15 Amp Blade Type	5	5	5	5	5	

Alternator, Starter Motor & Instruments

